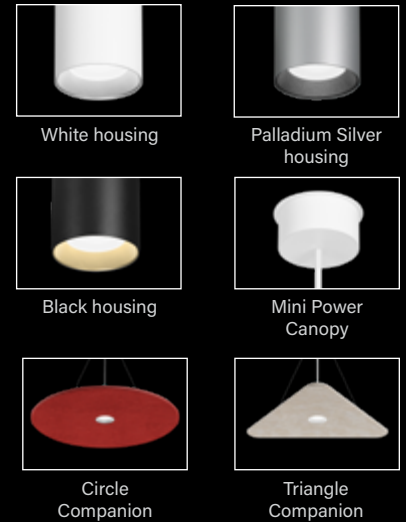
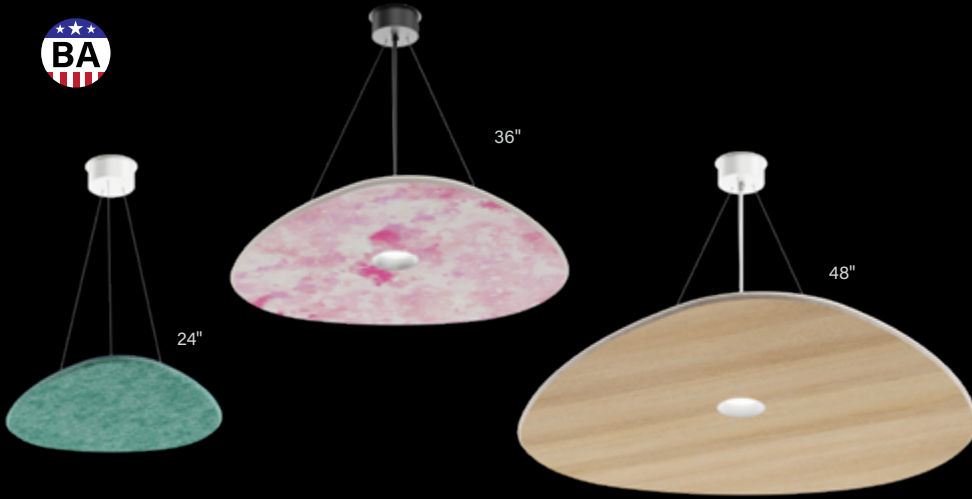
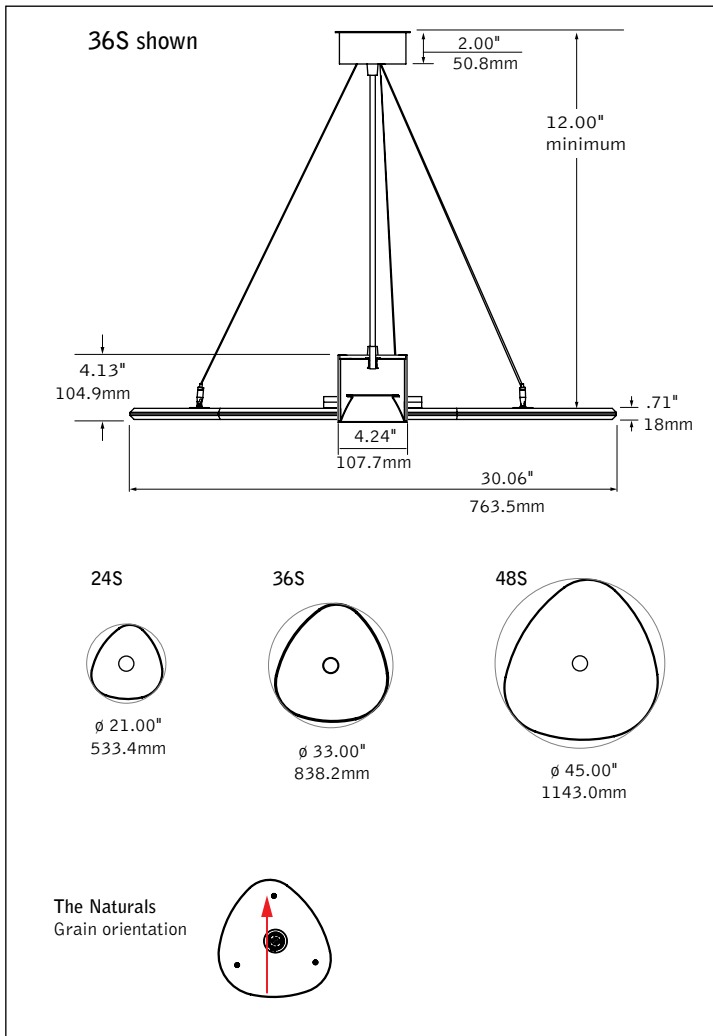


# Plyta™ Ovo

ACOUSTIC PENDANT



## DIMENSIONAL DATA



## FEATURES

Triangular acoustic pendant with integrated ID+ 3.5" Pure Cylinder light engine.

Nominal 24", 36" or 48" sizes.

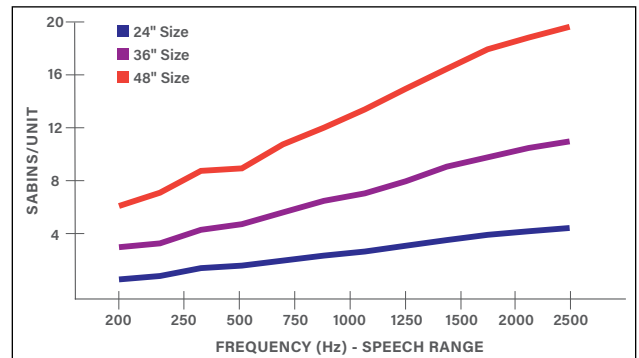
Wide range of PET felt color options and two-tone ability provide design flexibility. Also available in a range of curated printed finish options, including The Naturals and Cosmic.

60° and 75° cut-off reflector options available.

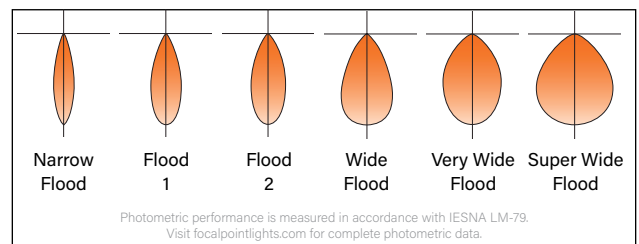
25° to 90° beam spreads support accent lighting, task lighting and general illumination.

Unlit companion available.

## ACOUSTIC PERFORMANCE



## DISTRIBUTIONS



fixture:

project:

### SPECIFICATIONS

#### Acoustic Material

<b>Content</b>	Housing material is 100% polyester containing up to 50% of recycled plastic bottles (PET felt) with an ASTM E-84 Class A / CAN ULC S102 fire rating and is moisture resistant.  See page 3 for color offering. Acoustic material colors are subject to change without notice. For the most current color options, please visit focalpointlights.com/acousticsolutions. Printed finishes such as The Naturals and Cosmic may leave the base material color visible on edges, depending on the product. Consult factory for more information. Lead times may vary depending on color.
<b>Cleaning and Care</b>	Remove dust and debris with a clean, soft, lint-free cloth or vacuum
<b>PET Thickness</b>	18mm (Two 9mm pieces)
<b>Surface Burning Characteristics</b>	ASTM E84 Class A / CAN ULC S102 Flame Spread: 0, Smoke Development Index: 300
<b>Colorfastness</b>	AATCC 16A Option 3 Class 4 minimum at 40 hours
<b>NRC</b>	24" - 0.70, 36" - 0.80, 48" - 0.85


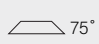
#### LED System

Proprietary LED module with single light emitting source. May be specified in 2700K, 3000K, 3500K or 4000K in CRI>80, CRI>90, or CRI 97+. 3500K and 4000K with CRI>90 have a cyanosis observation index (COI) of 3.3 or less. Color accuracy within 2 SDCM. Aluminum heat sink provides appropriate thermal management.

#### Construction

PET Shade. Light engine housing is extruded aluminum. Internal reflector (DNS) is spun aluminum. DSS reflector is die-cast aluminum. 12" minimum suspension. Unlit weights will not exceed: 24" - 4lbs, 36" - 7lbs. 48" - 11lbs. Lit weights will not exceed: 24" - 6lbs, 36" - 9lbs. 48" - 13lbs.

#### Optics

Optic	Cut-off degree	Distribution Beam Spread   Spacing Criteria					
		NFL	FL1	FL2	WFL	VWFL	SWFL
DNS	 60°	25°   0.42	37°   0.63	45°   0.75	56°   0.92	—	—
DSS	 75°	26°   0.44	37°   0.60	45°   0.72	56°   0.84	74°   1.07	91°   1.24

#### Electrical

Choice of constant current dimming drivers. Power factor > .9 typical. Not Right Light as standard, consult factory.

#### Emergency

Emergency output —171ft for CD/ WH reflectors, and 151ft for WD/ BK reflectors. J-box cannot be recessed above the ceiling with Emergency Battery.

#### Labels

UL and cUL listed. Suitable for Dry or Damp Locations, indoor use only.

#### Finish

Polyester powder coat applied over a multi-stage pre-treatment.

#### Lumen Maintenance

Calculated: L70 at 200,000 hours      Reported: L70 at >55,000 hours  
(Derived from EPA TM-21 calculator per 10,000 hours of LED test data)

#### Reliability

At Focal Point, our products are designed to stand the test of time. Each luminaire is engineered using superior components, manufactured with the utmost care and rigorously tested. Contact us for reliability data.

#### Warranty

LED system rated for operation in ambient environments up to 25°C. 5-year limited warranty. Acoustic shade 1-year limited warranty.

### PERFORMANCE CHART

Lumen Output	Delivered Lumens	Tested System Watts	LPW
700DN	663	8	79
900DN	852	10	90
1100DN	1041	12	88
1300DN	1231	15	81
1500DN	1420	17	82
1700DN	1609	20	82
1900DN	1799	22	82
2100DN	1988	24	82
2300DN	2177	27	82

Based on Short Cone (DNS), 3500K, 80CRI, Wide Flood, Clear Diffuse. Lumen output may vary +/- 5%. Actual wattage may vary +/- 5%.

### ACOUSTIC SHADE ORDERING

<b>Series</b>	_____
Plyta lit	APY
Plyta unlit	AUPY
<b>Nominal Size</b>	_____
24" Shade	24S
36" Shade	36S
48" Shade	48S
<b>Profile</b>	_____
Ovo	OVO
<b>Acoustic Shade Color</b>	_____
<small>See page 3 for PET color offering</small>	
<b>Ceiling Facing Color</b>	_____
<b>Floor Facing Color</b>	_____
<b>Cable Suspension</b>	_____
24"	C24
48"	C48
96"	C96
120"	C120
144"	C144
<b>Canopy Color</b> (leave blank for lit)	_____
Matte Black	BK
Matte White	WH
Palladium Silver	PS

### LIGHT ENGINE ORDERING

<b>Luminaire Series</b>	_____	<b>FLCY3N</b>
ID+ 3.5" Pure Cylinder	FLCY3N	
<b>Trim Type</b>	_____	<b>RD</b>
Round	RD	
<b>Housing Height</b>	_____	<b>4H</b>
4"	4H	
<b>Direct Lumen Output</b>	_____	
700 Lumens	700DN	
900 Lumens	900DN	
1100 Lumens	1100DN	
1300 Lumens	1300DN	
1500 Lumens	1500DN	
1700 Lumens	1700DN	
1900 Lumens	1900DN	
2100 Lumens	2100DN	
2300 Lumens (DSS not available.)	2300DN	

<b>Color Temperature</b>	_____
<small>(Add 9 for 90 CRI or H for 97 CRI. Leave blank for 80 CRI.)</small>	
2700K, 80/90/97+ CRI	27K
3000K, 80/90/97+ CRI	30K
3500K, 80/90/97+ CRI	35K
4000K, 80/90/97+ CRI	40K

<b>Circuits</b>	_____	<b>1C</b>
Single Circuit	1C	
<b>Voltage</b>	_____	
UNV 120/277 Volt	UNV	
120 Volt	120	
277 Volt	277	

<b>Canopy Configuration</b>	_____	<b>MPCA</b>
Mini Power Canopy	MPCA	
<b>Canopy Color</b>	_____	
Matte Black	BK	
Matte White	WH	
Palladium Silver	PS	

<b>Control System &amp; Dimming Level</b>	_____
0-10V - 1% Dimming	L11
Phase Dimming (120V only)	LFP

<b>Mounting</b>	_____
72" Cable, Straight Feed (Cut in field)	C72
144" Cable, Straight Feed (Cut in field)	C144

<b>Suspension Color</b>	_____
Black	BK
White	WH
<b>Direct Optic</b>	_____
60° cut-off cone	DNS
75° cut-off cone with Solite Lens	DSS

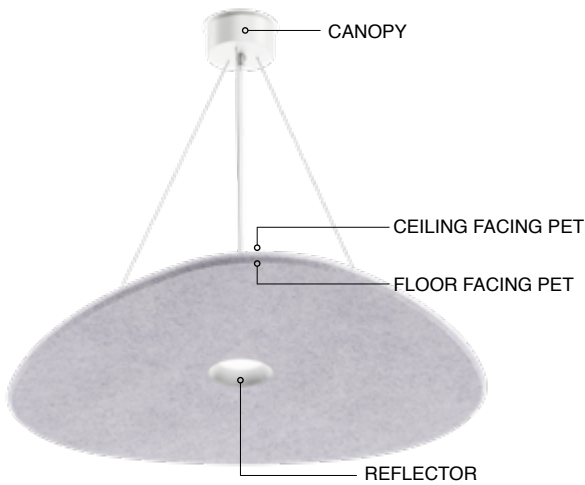
<b>Direct Distribution</b>	_____
Narrow Flood	NFL
Flood 1	FL1
Flood 2	FL2
Wide Flood	WFL
Very Wide Flood (DSS only)	VWFL
Super Wide Flood (DSS only)	SWFL

<b>Factory Options</b>	_____
Emergency Battery Remote	EMR
<small>(J-box cannot be recessed above the ceiling. Remote test switch)</small>	

<b>Reflector Color</b>	_____
Clear Diffuse	CD
Warm Diffuse	WD
White	WH
Black	BK

<b>Luminaire Finish</b>	_____
Black	BK
White	WH
Palladium Silver	PS
Custom Color options available	RAL_ _ _ _

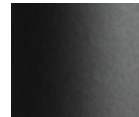
# Finishes



## HOUSING/CANOPY FINISHES



WHITE WH



BLACK BK



PALLADIUM SILVER PS

## REFLECTOR FINISHES



CLEAR DIFFUSE CD



WARM DIFFUSE WD



WHITE WH



BLACK BK

## COSMIC (25% SCALE)



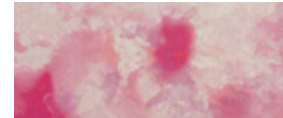
BLUE STAR BSR



GREEN QUASAR GQR



MOON ROCK MRK



PINK NEBULA PPN

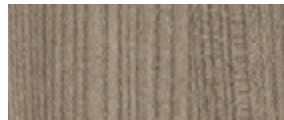


SOLAR FLARE SRF

## THE NATURALS (25% SCALE)



LIGHT OAK LOK



GRAY ELM GRE



CHESTNUT CHT



WALNUT WLT

## STANDARD PET



PURE BLACK PBK



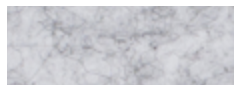
CHARCOAL GRAY CHG



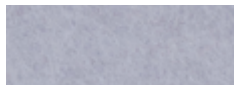
SLATE SLT



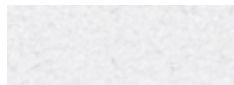
SHADOW GRAY SDG



SILVER GRAY SLG



PEARL ICE PIC



CLASSIC WHITE CWH



NATURAL LINEN NTL



HAZELWOOD HZW

## PREMIUM PET



CORNFLOWER BLUE CFB



DENIM BLUE DNB



MIDNIGHT BLUE MNB



DEEP PURPLE DPP



BRICK RED BRD



CHERRY RED CHR



BERRY BRY



BLUSH BLS



CARROT CRT



PINEAPPLE PNA



DEEP WATER DWT



SEAFOAM SFM



EMERALD GREEN EMG



LIMESTONE LMS

Slight color variations are inherent to the PET felt manufacturing process. Color renditions on screens vary due to display settings and lighting conditions.

Order samples at [focalpointlights.com/Samples](http://focalpointlights.com/Samples)

## Declare.

**PET**  
Focal Point, LLC

**Final Assembly:** Chicago, Illinois, USA  
**Life Expectancy:** 30 Year(s)  
**End of Life Option:** Salvageable/Reusable in its Entirety, Recyclable (100%)

**Ingredients:**

Polyethylene terephthalate; PET; N, N'-Ethylene bisstearamide; Octadecanamide, N,N'-1,2-ethanediybis; Stearic Acid; Antioxidant 1076; Benzenepropionic acid, 3,5-bis(1-dimethylethyl)-4-hydroxy-, octadecyl ester; Antioxidant KY-605; Benzoinamine, 4-(1-methyl-1-phenylethyl)-N-[4-(1-methyl-1-phenylethyl)phenyl]; Titanium Dioxide; Titanium Dioxide

**Living Building Challenge Criteria:**

**I-13 Red List:**

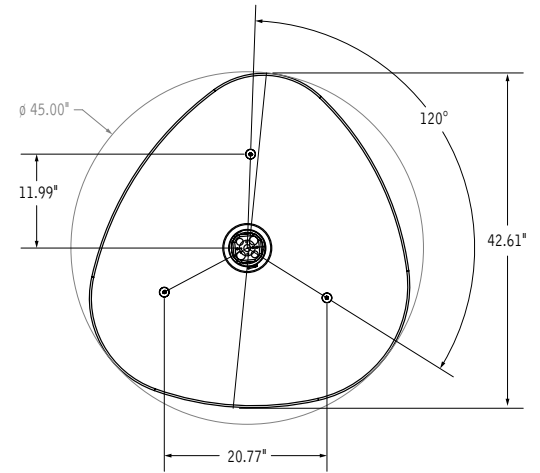
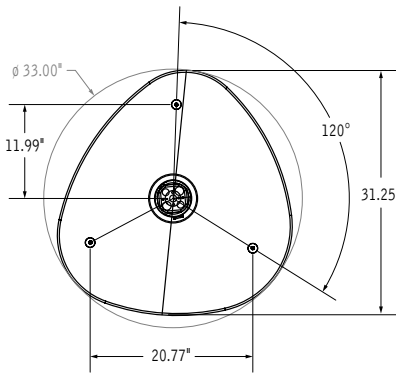
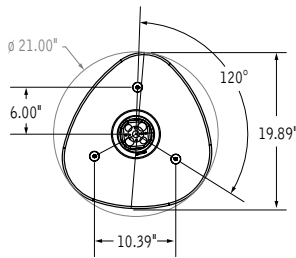
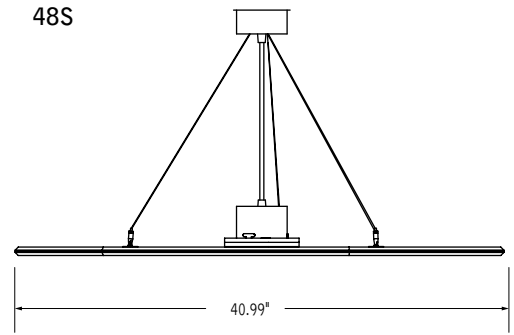
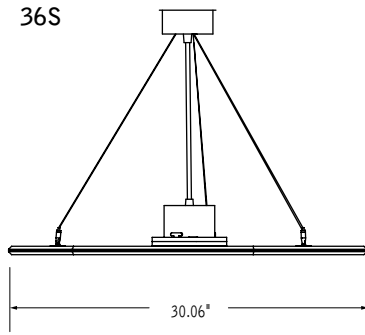
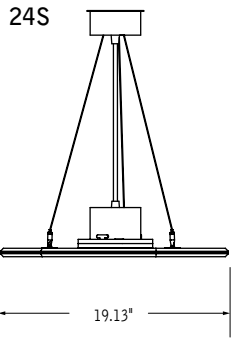
- LBC Red List Free % Disclosed: 100% at 100ppm
- LBC Red List Approved VOC Content: Not Applicable
- Declared

**I-10 Interior Performance:** Not Compliant  
**I-14 Responsible Sourcing:** Not Applicable

FPL-0001  
 Exp: 01 JUN 2026  
 Original Issue Date: 2020

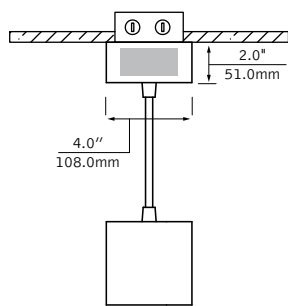
INTERNATIONAL LIVING FUTURE INSTITUTE™ [livingfuture.org/declare](http://livingfuture.org/declare)

**DIMENSIONAL DATA CONTINUED**

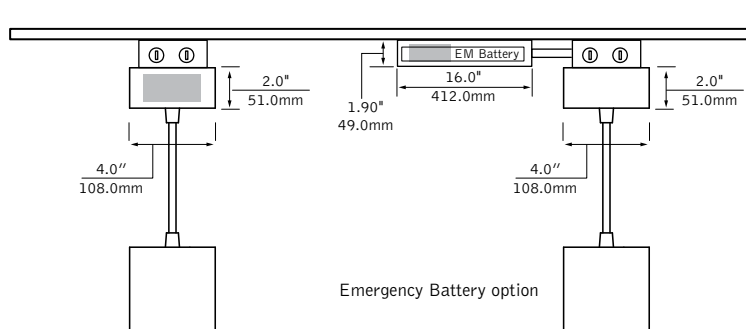


**Mini-Power Canopy (shown with cylinder only)**

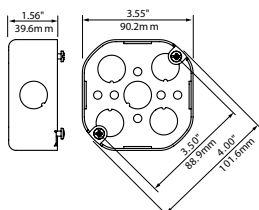
Recessed J-Box



Surface mount J-Box



**4" Octagonal J-Box required (by others)**



Not compatible with  
4" Square J-box

## LUMEN MULTIPLIER TABLE

### Optic & Distribution

Trim Type	Optic	Distribution	Multiplier
	Short Cone with 60° cut-off [DNS]	Narrow Flood [NFL]	0.99
		Flood 1 [FL1]	0.96
		Flood 2 [FL2]	0.92
		Wide Flood [WFL]	0.95
	Super Short Cone with Solite Lens with 75° cut-off [DSS]	Narrow Flood [NFL]	0.95
		Flood 1 [FL1]	0.89
		Flood 2 [FL2]	0.94
		Wide Flood [WFL]	0.93
		Very Wide Flood [VWFL]	1.00
		Super Wide Flood [SWFL]	0.95

### Reflector Color

Trim Type	Optic	Distribution	Multiplier
	Short Cone with 60° cut-off [DNS]	Clear Diffuse [CD]	1.00
		Warm Diffuse [WD]	0.96
		White [WH]	1.12
		Black [BK]	0.62
	Super Short Cone with Solite Lens with 75° cut-off [DSS]	Clear Diffuse [CD]	1.00
		Warm Diffuse [WD]	0.97
		White [WH]	1.16
		Black [BK]	0.86

### Color Lumen Multipliers

CRI	STANDARD WHITE CCT			
	2700	3000	3500	4000
80+	0.92	0.98	1.00	1.01
90+	0.76	0.79	0.82	0.84
97+	0.67	0.72	0.76	0.76

### How To Use Lumen Multipliers

**Formula:** (Lumen Output Value) x (Color Temperature & CRI) x (Optic & Distribution)

**Example:** FLCY3N-RD-1000DN-35K-DNS-FL1-CD

(1000) x (1.00) x (0.96) ≈ 960 lm (estimated delivered lumens)