




FOCAL POINT®

Bringing It All To Light®

Easily integrate lighting into specialty ceilings
with the Seem family of linear luminaires

A brand of  **legrand**

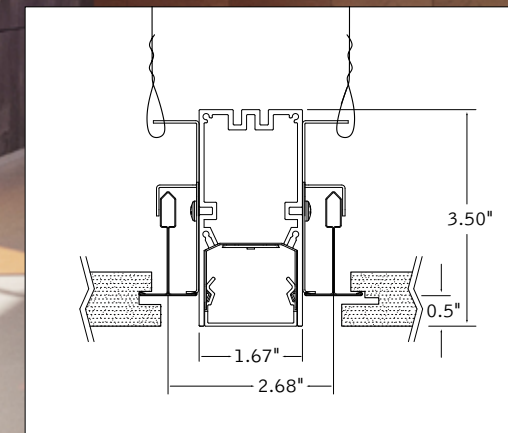
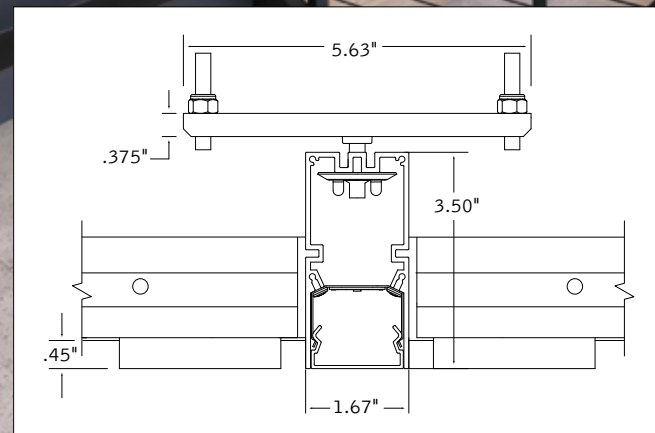
Many ceiling types, 2 simple mounting solutions

Two simple mounting options, offered for the entire Seem family of linear luminaires, mean that you can easily integrate high-quality, ambient lighting into a variety of specialty ceilings. Wood slats, metal grilles, ceiling panels or tiles – no matter the system, there's a Seem family luminaire that will provide optimal lighting for the space while letting the ceiling shine.

With the many lensing options offered for Seem 1, Seem 2, Seem 4, and Seem 6, you can pick the aperture, light distribution, and visual appearance that will enhance the ceiling and interior architecture. Specify the standard mounting option – NF or T4V – that will ensure easy installation for the specific ceiling type, directly from the cut sheet. Standard mounting option also means standard pricing and lead times, making the process easy from specification to installation.

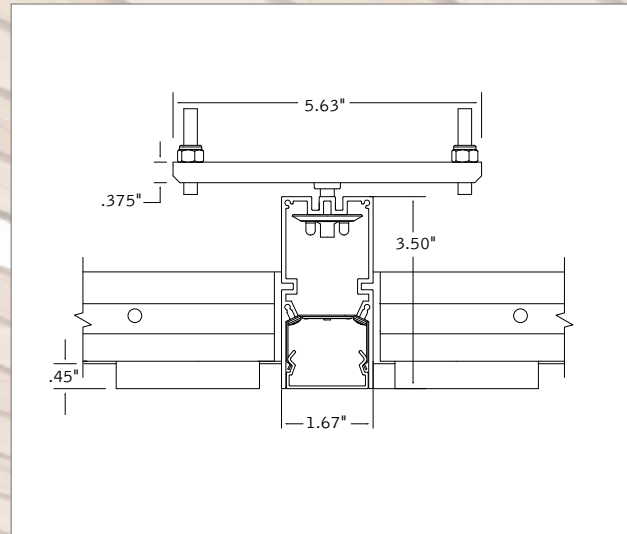
Advantages of the NF and T4V mounting options

- Standard options specifiable from the cut sheet and available within standard lead times
- Pre-engineered to provide easy integration into various specialty ceiling system
- Code compliance when cable suspension is not allowed
- Mechanically sound options that ensure straightness and centering of the luminaires within the ceiling system
- Luminaires secured into the ceiling deck
- Up and down adjustability ensures that the bottom lens is flush with the ceiling plane
- Luminaire installation can follow ceiling installation, simplifying trade interaction at the job site

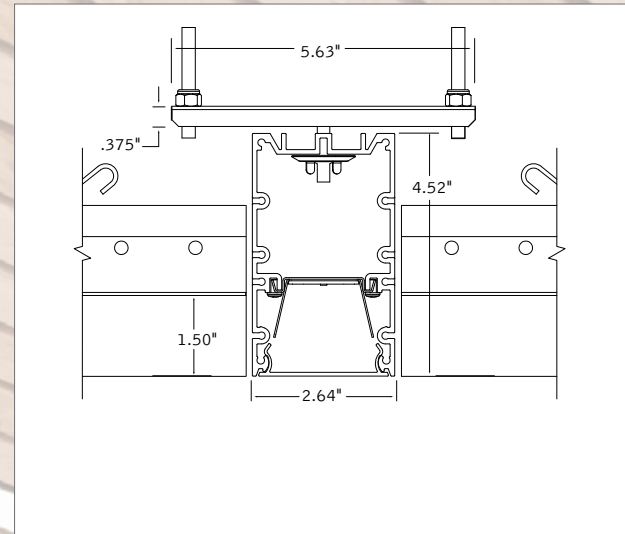


Seem 1, 2, 4 & 6 Recessed with NF mounting

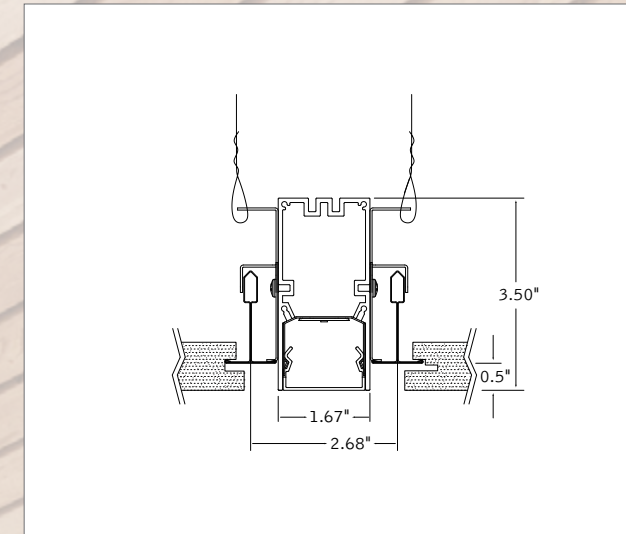
A proprietary bracket, supplied by Focal Point, secures the luminaires to the deck via threaded rod or tie wire. This allows for the lighting to be installed after the ceiling is in place, simplifying trade management and interaction at the job site. The up/down adjustability ensures perfect fit, straightness, and centering, no matter the thickness of the ceiling or the mounting condition.



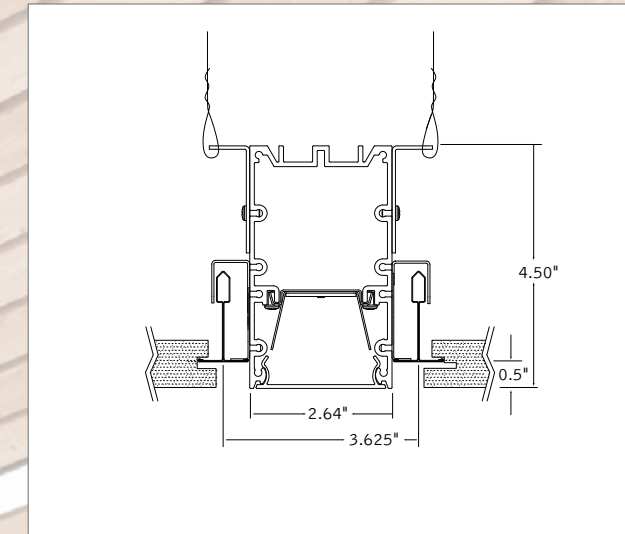
Seem 1 integration in linear ceiling system



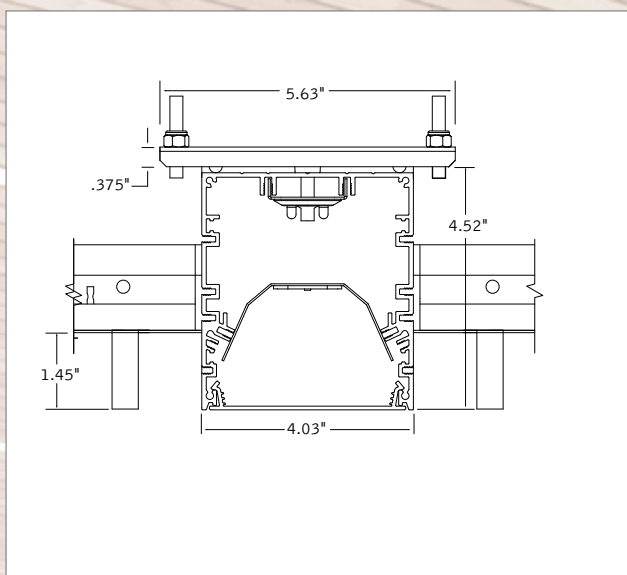
Seem 2 integration in torsion spring ceiling system



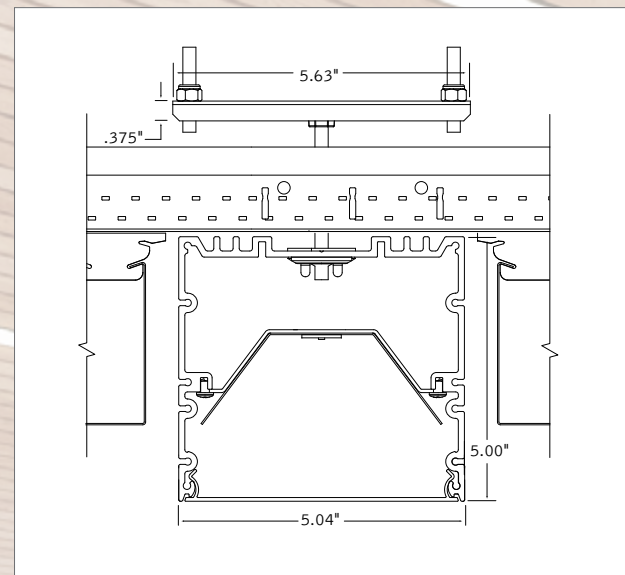
Seem 1 integration in tegular ceiling system



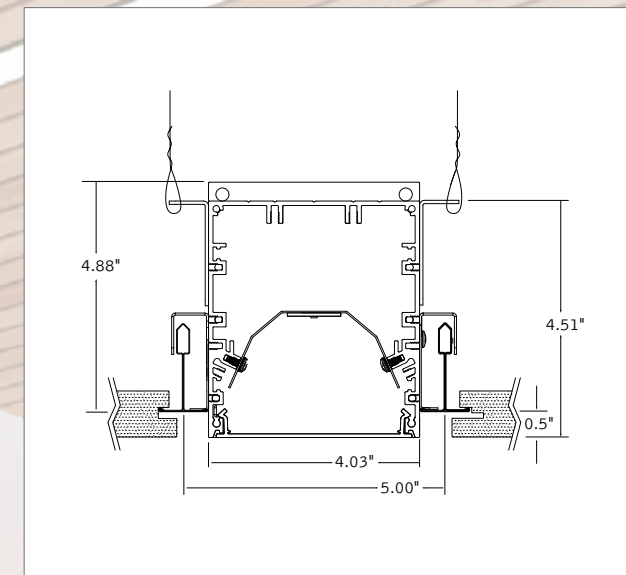
Seem 2 integration in tegular ceiling system



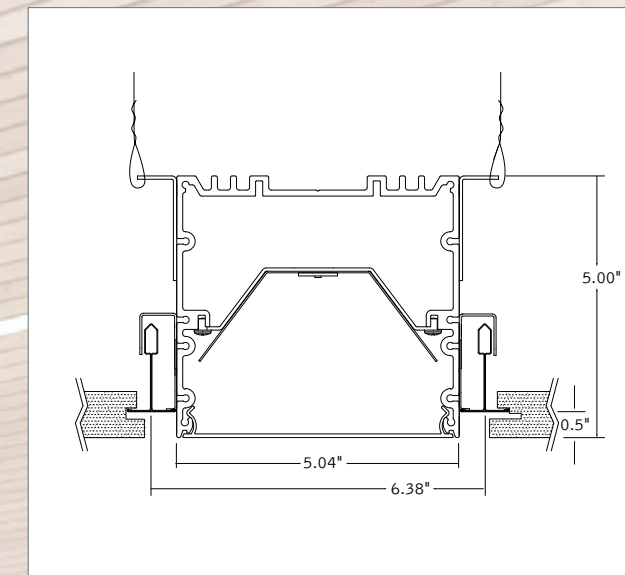
Seem 4 integration in linear ceiling system



Seem 6 integration in linear ceiling system



Seem 4 integration in tegular ceiling system



Seem 6 integration in tegular ceiling system

Seem 1, 2, 4 & 6 Grid with T4V mounting

A tegular grid mounting option ensures that luminaires neatly integrate between ceiling panels and that the bottom lens is flush with the ceiling tile, or drops to the right level in the case of pop-down lenses. This helps maintain the integrity and visual appearance of the ceiling system. Luminaires are secured to the deck with wires, following the method customarily employed with grid ceilings.

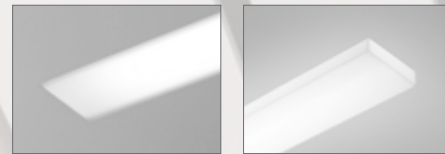
Luminaire options

NF and T4V mounting options are available for the following Seem family luminaires, supporting compatibility with most specialty ceiling systems.



Seem 1 - 1.5" nominal aperture

- Seem 1 Recessed
- Seem 1 Pop-Down Lens Recessed
- Seem 1 Point Source Recessed
- Seem 1 Louver Recessed



Seem 2 - 2.5" nominal aperture

- Seem 2 LED Recessed
- Seem 2 Pop-Down Lens Recessed
- Seem 2 LED Asymmetric Flush Lens



Seem 4 - 4" nominal aperture

- Seem 4 LED Recessed
- Seem 4 Pop-Down Lens Recessed
- Seem 4 LED Asymmetric Flush Lens
- Seem 4 LED Asymmetric Angled Lens



Seem 6 - 6" nominal aperture

- Seem 6 LED Recessed
- Seem 6 Pop-Down Lens Recessed