

# ID+ 4.5" Module & Trim

LC4-RO | LC4-RDO | LC44-SDO



## BEFORE YOU BEGIN

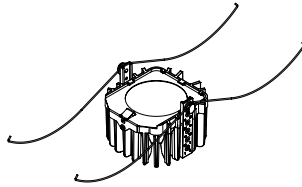
- Luminaires must be installed by a qualified electrician (check with local and national codes for proper installation).
- To prevent electrical shock, disconnect electrical supply before installation or servicing.
- Contractor is responsible for adequately reinforcing walls and/or ceilings to support fixture weight.
- Focal Point, LLC accepts no responsibility for inadequately reinforced walls and/or ceilings.
- The information contained in this drawing is the sole property of Focal Point, LLC. Any reproduction in part or whole without the written permission of Focal Point, LLC is prohibited.

## INSTRUCTION KEY

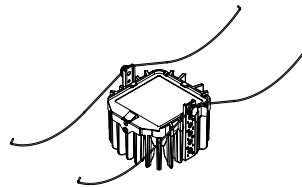
- ATTENTION
- SEE ADDITIONAL INSTRUCTIONS
- POWER OFF
- POWER ON

## COMPONENT KEY

### MODULES



ROUND MODULE

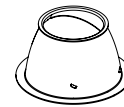


SQUARE MODULE

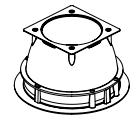
### TRIMS



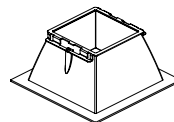
ROUND DOWNLIGHT



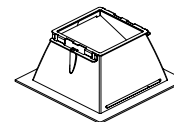
ROUND WALL WASH



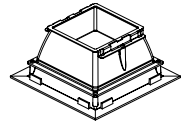
ROUND SOLITE LENS



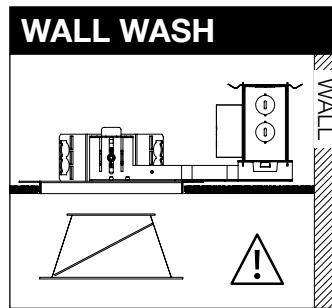
SQUARE DOWNLIGHT



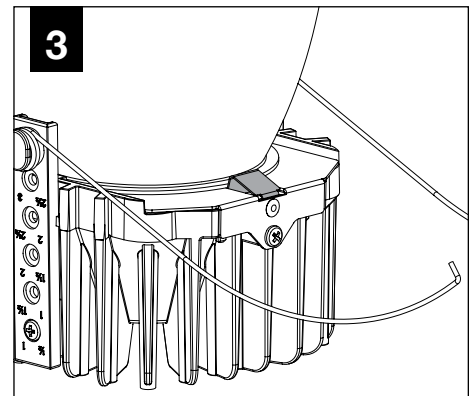
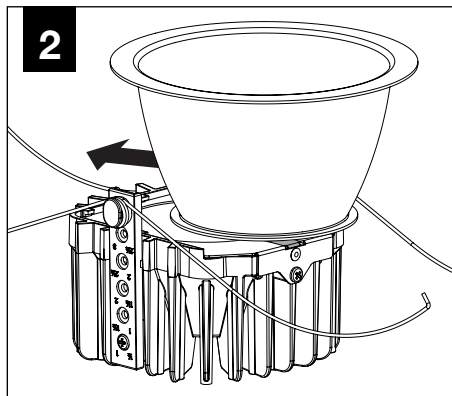
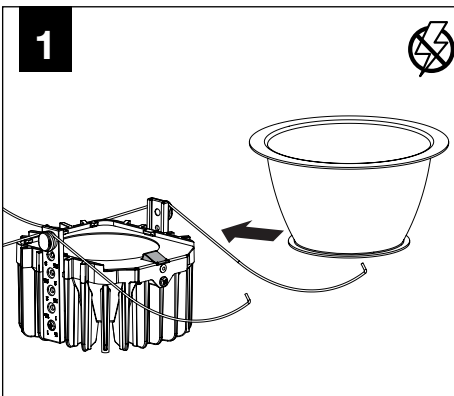
SQUARE WALL WASH



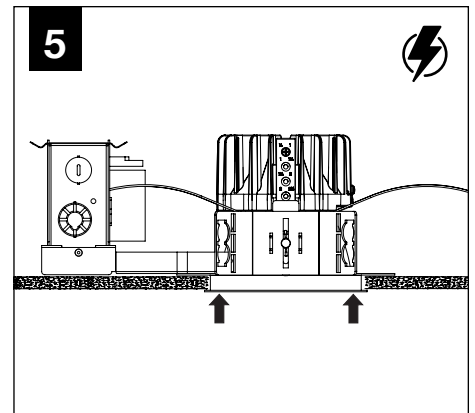
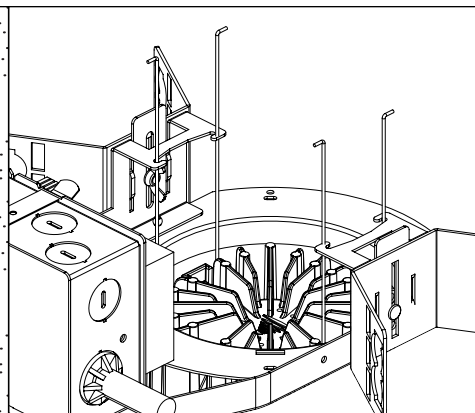
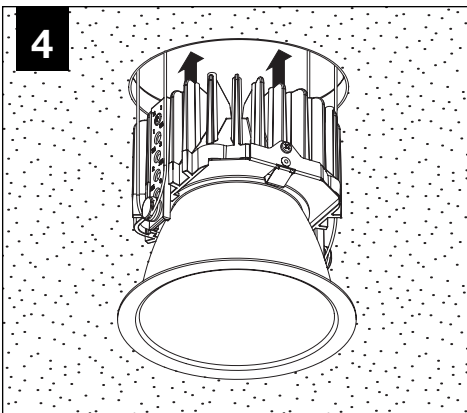
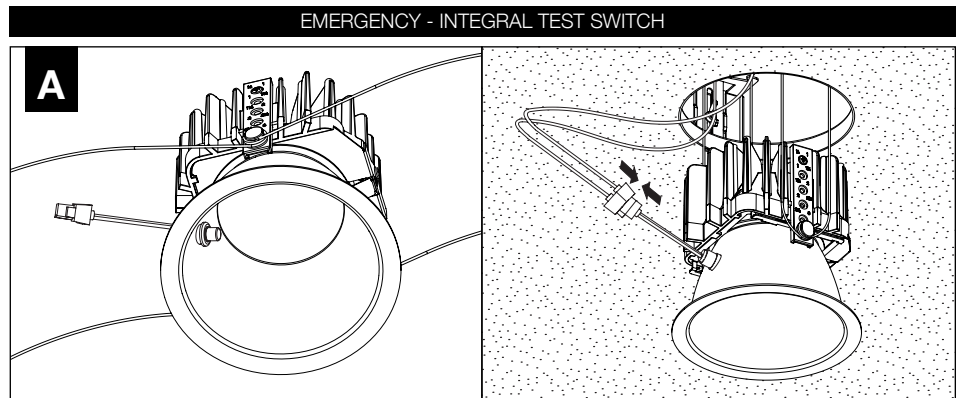
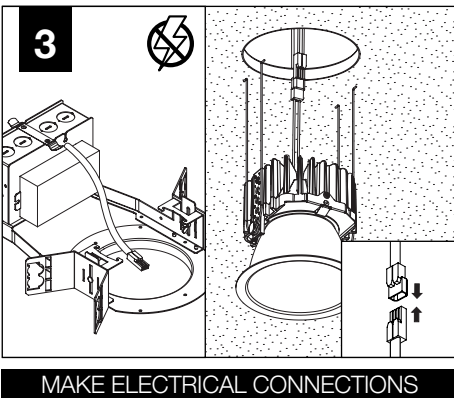
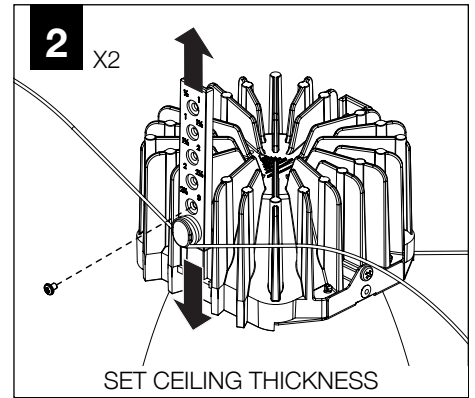
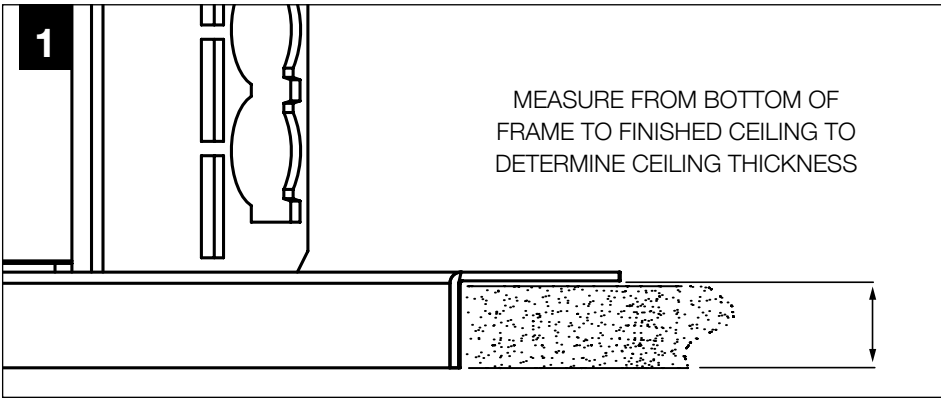
SQUARE SOLITE LENS



## TRIM INSTALLATION



# MODULE INSTALLATION



# TRIM/MODULE REMOVAL

