

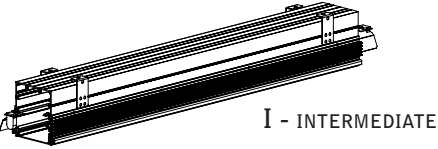
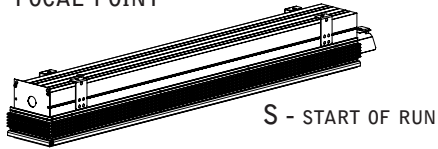
seem 6™ led wall to ceiling corners

FSM6L-CXF

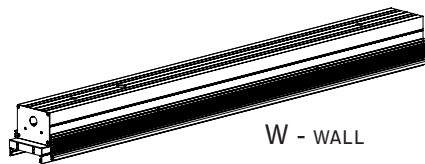
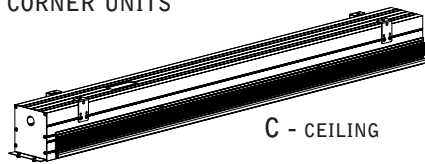


! LUMINAIRE MUST BE INSTALLED PRIOR TO DRYWALL. !
! CONFIGURATIONS ARE RUN SPECIFIC, PLEASE CONSULT FACTORY DRAWINGS BEFORE BEGINNING INSTALLATION. !

FOCAL POINT



CORNER UNITS



PARTS LISTS

INCLUDED HARDWARE

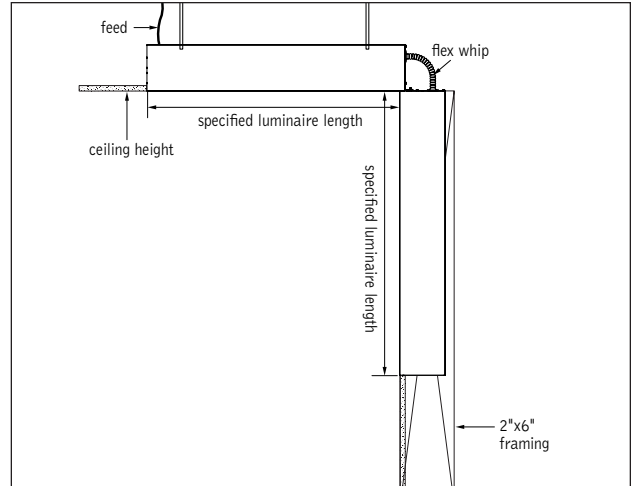
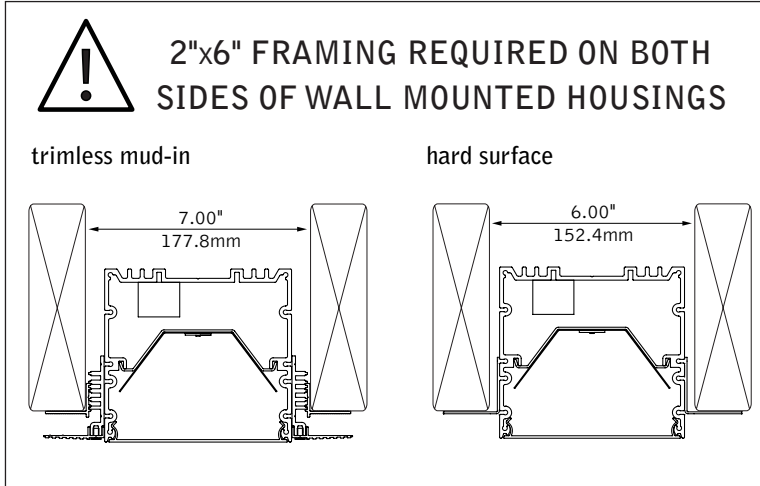
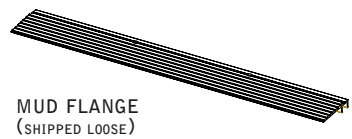
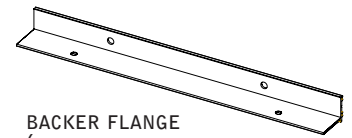
REFLECTOR SCREW (72010)	JOINER BULKHEAD SCREW (72010)
LENS TOOL (A15966-01) (AFFIXED TO HOUSING. ONE PER RUN)	MUD FLANGE (70005) (8-32 X 5/16" FLAT UNDERCUT HEAD SCREW)
	BACKER FLANGE (72001) (8-32X 3/8" WASHER HEX HEAD SCREW)

SHIPPED INSTALLED

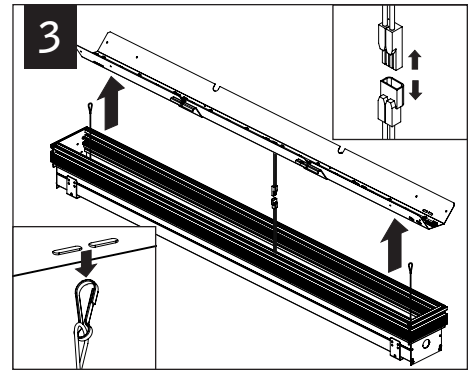
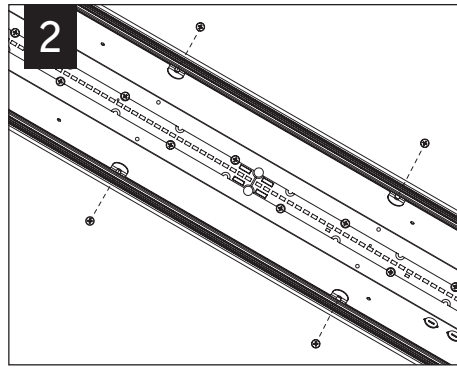
JOINER BRACKET SCREW (72009)	JOINER BRACKET (A15328-01)	LENS END PIECE (A12498)
TIE-WIRE BRACKET SCREW (72010) (8-18 x 1/4 SELF TAPPING SCREW)	TIE-WIRE BRACKET (12547)	JOINER BULKHEAD (A15570-01)

KEY

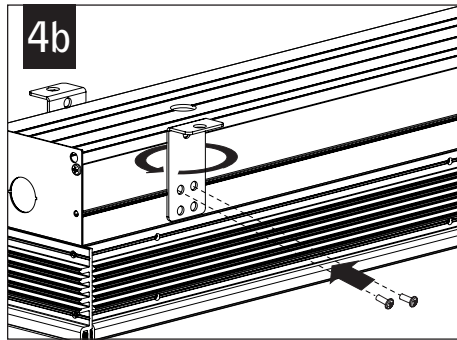
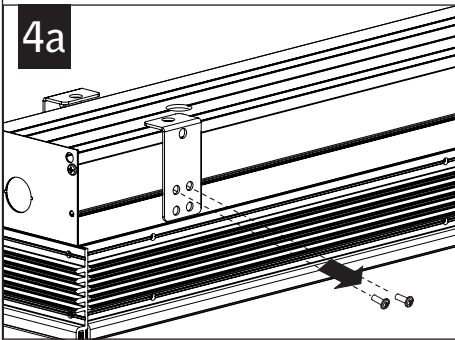
- POWER OFF
- POWER ON
- ATTENTION



Luminaires must be installed by a qualified electrician (check with local and national codes for proper installation).
 To prevent electrical shock, disconnect electrical supply before installation or servicing.



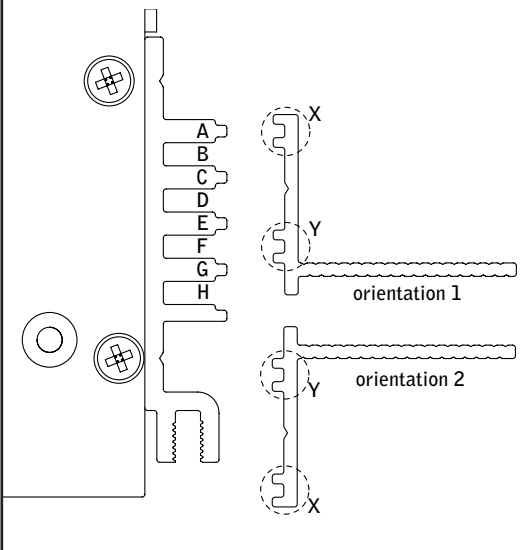
CEILING UNITS ONLY



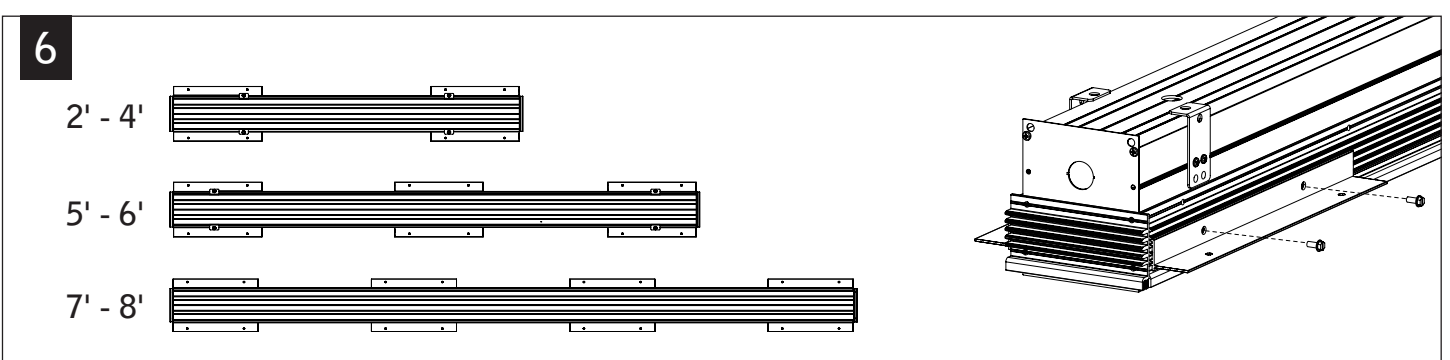
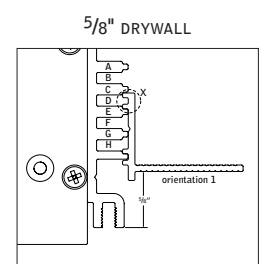
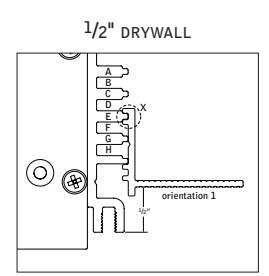
5 USING THE BACKER FLANGE PLACEMENT GUIDE FROM **PAGE 1** DETERMINE THE PROPER PLACEMENT OF THE BACKER FLANGE FOR YOUR DRYWALL THICKNESS.

IF BACKER FLANGES WERE PRE-INSTALLED SKIP TO STEP 7

BACKER FLANGE PLACEMENT GUIDE

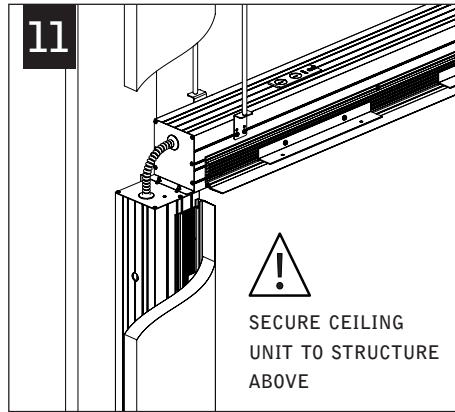
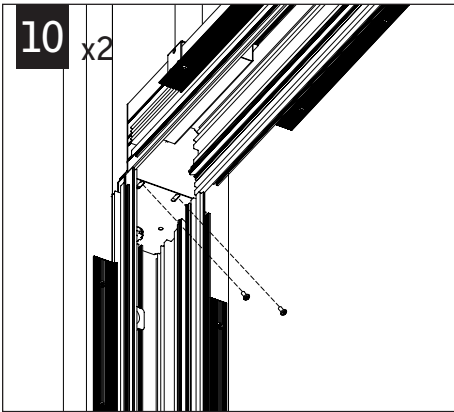
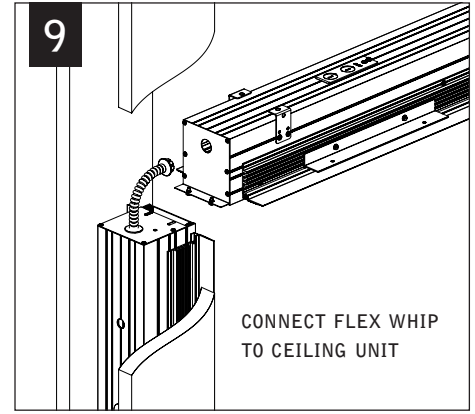
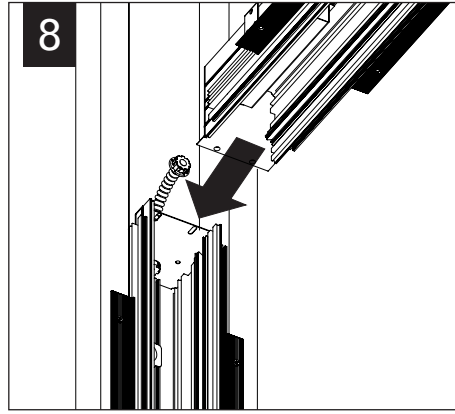
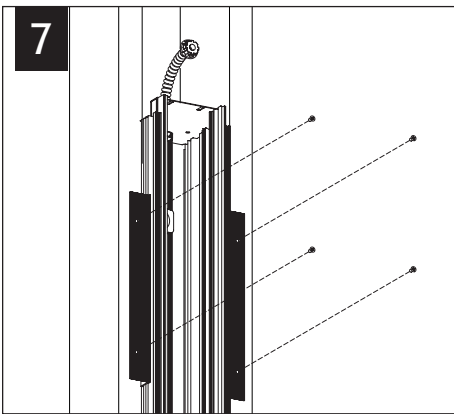


DRYWALL THICKNESS	ORIENTATION	GUIDE POINT	POSITION
3/8"	1	X	F
1/2"	1	X	E
5/8"	1	X	D
3/4"	1	X	C
7/8"	1	X	B
1"	1	X	A
1 1/8"	1	Y	G
1 1/4"	2	Y	F
1 3/8"	2	Y	E
1 1/2"	2	Y	D
1 5/8"	2	Y	C
1 3/4"	2	Y	B
1 7/8"	2	Y	A
2"	2	X	E
2 1/8"	2	X	D

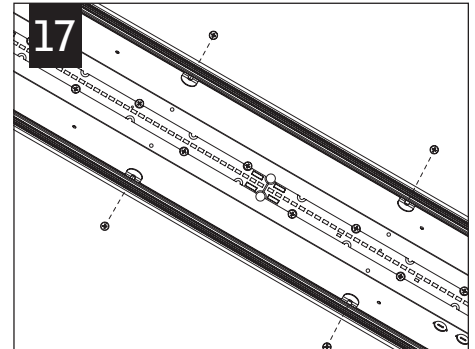
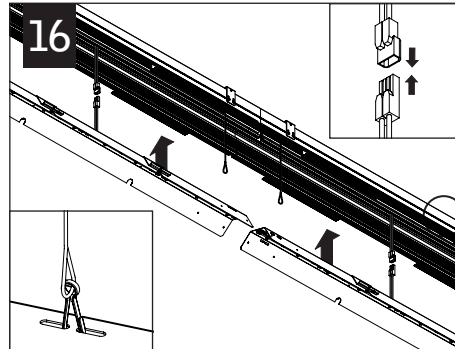
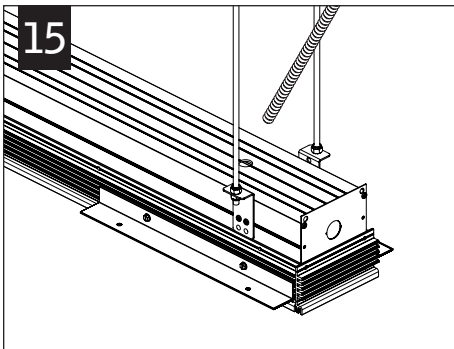
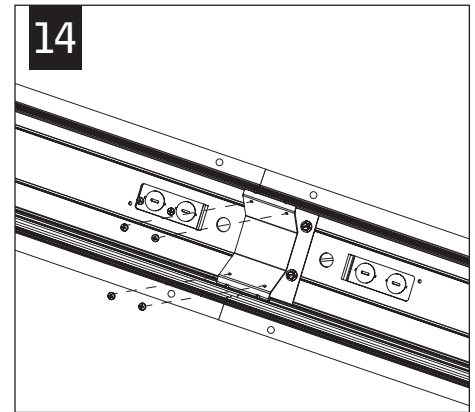
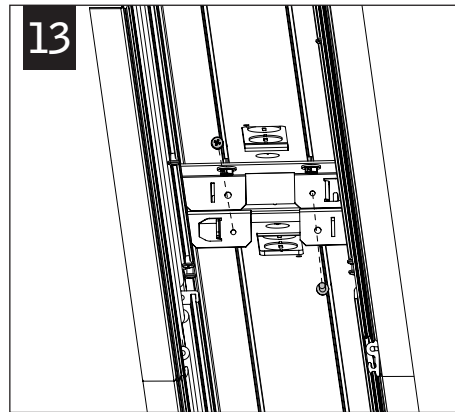
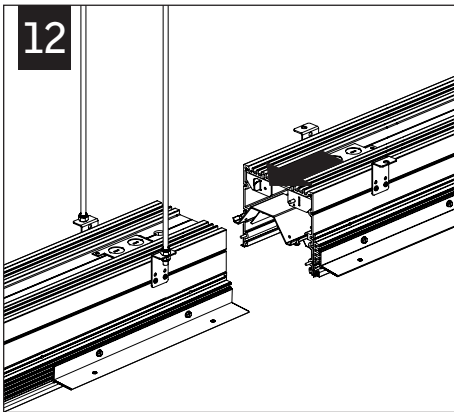


Luminaires must be installed by a qualified electrician (check with local and national codes for proper installation).
To prevent electrical shock, disconnect electrical supply before installation or servicing.

CORNER UNITS (C & W) INSTALLATION



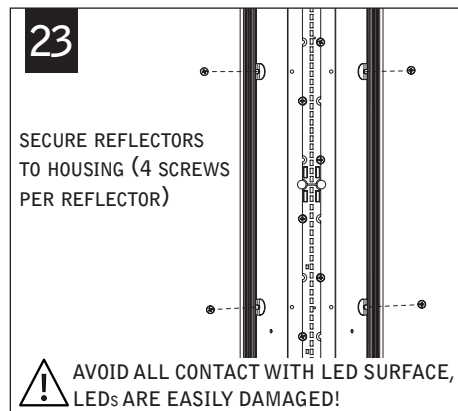
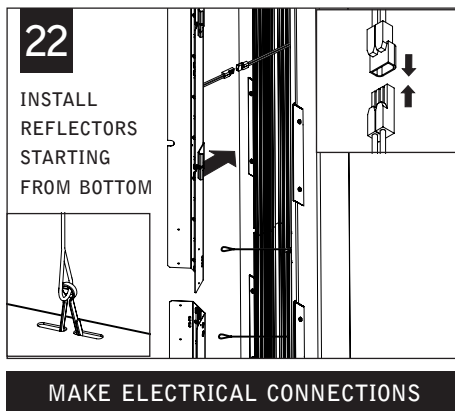
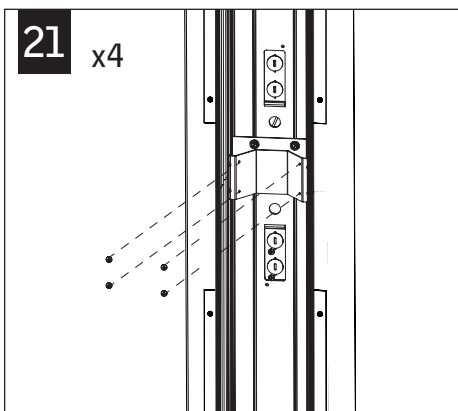
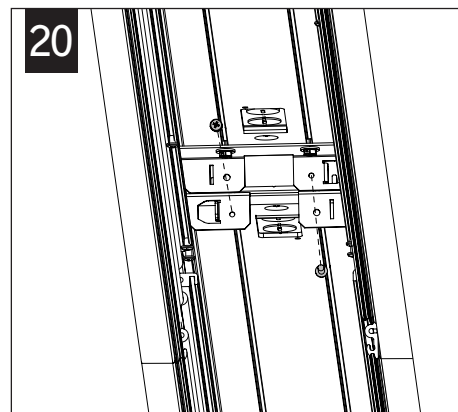
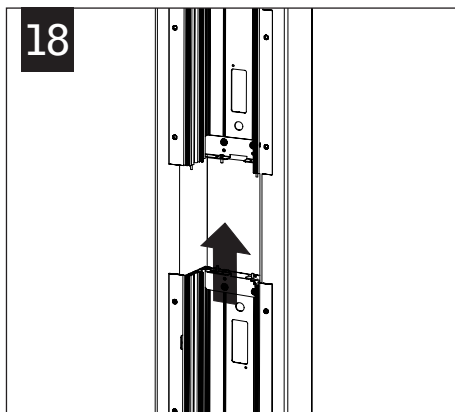
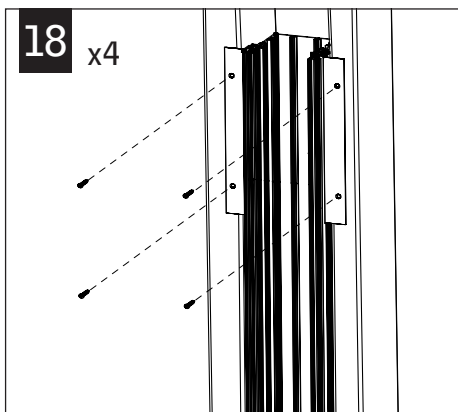
CONTINUE INSTALLING REMAINING CEILING UNITS



MAKE ELECTRICAL CONNECTIONS

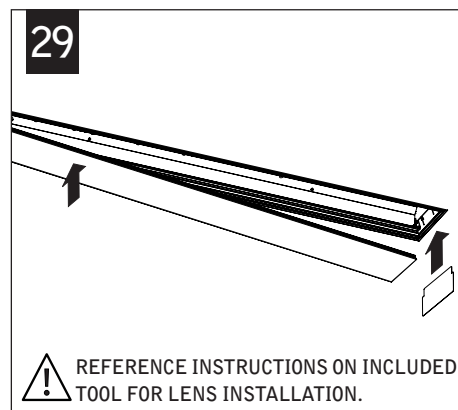
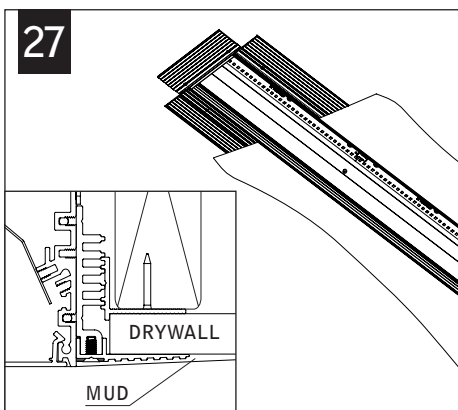
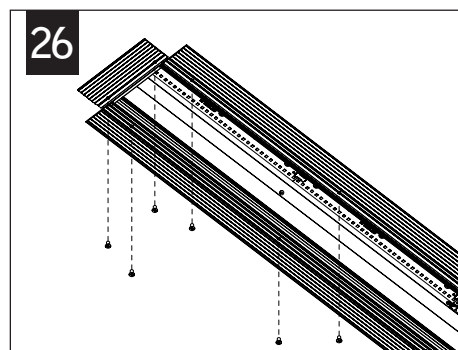
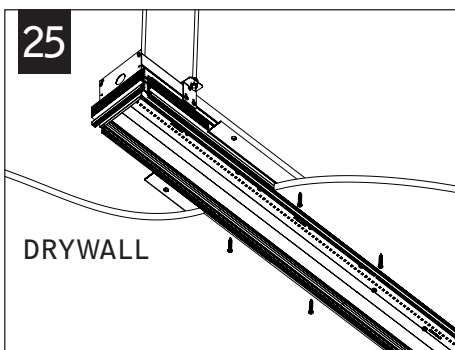
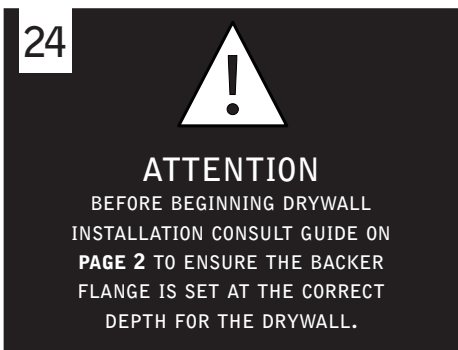
Luminaires must be installed by a qualified electrician (check with local and national codes for proper installation).
To prevent electrical shock, disconnect electrical supply before installation or servicing.

INSTALL REMAINING WALL HOUSINGS

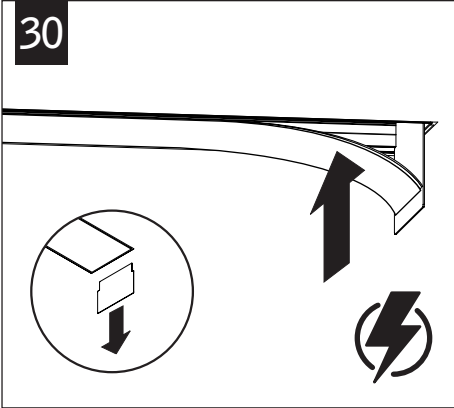


MAKE ELECTRICAL CONNECTIONS

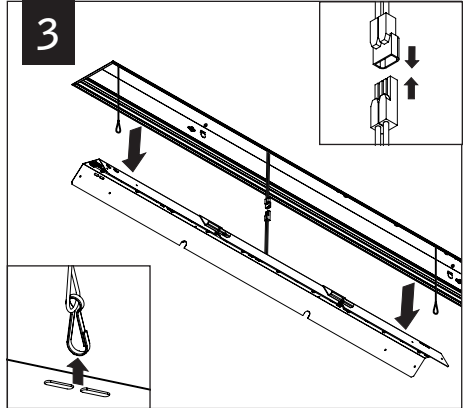
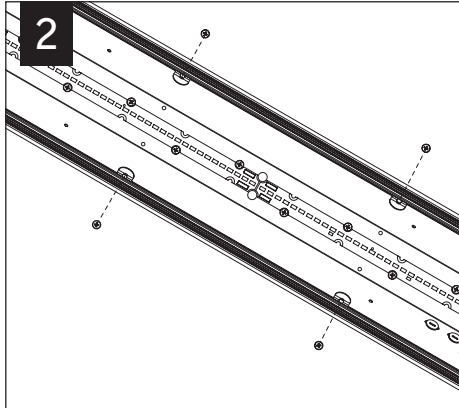
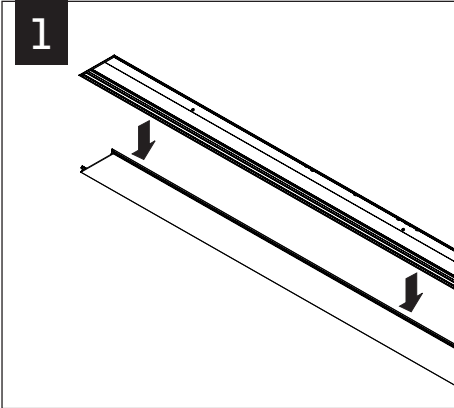
BEGIN DRYWALL INSTALLATION (CEILING UNITS SHOWN)




Luminaires must be installed by a qualified electrician (check with local and national codes for proper installation).
To prevent electrical shock, disconnect electrical supply before installation or servicing.



DRIVER SERVICE



EMERGENCY



SEE BATTERY MANUFACTURER INSTRUCTIONS

EMERGENCY BATTERY
 MAXIMUM MOUNTING HEIGHT: 18.00'

EMERGENCY CIRCUIT
 MAXIMUM MOUNTING HEIGHT: 21.00'

Contractor is responsible for adequately reinforcing walls and/or ceilings to support luminaire weight. Focal Point, LLC accepts no responsibility for inadequately reinforced walls and/or ceilings. The information contained in this drawing is the sole property of Focal Point, LLC. Any reproduction in part or whole without the written permission of Focal Point, LLC is prohibited.