

# Seem® 4 LED

FSM4L-TF | FSM4L-NF | Trim Flange | No Flange



## BEFORE YOU BEGIN

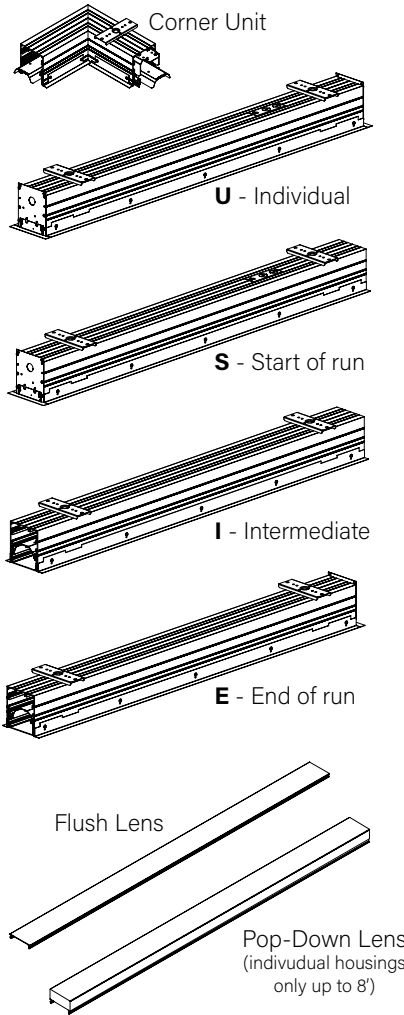
- Luminaires must be installed by a qualified electrician (check with local and national codes for proper installation).
- To prevent electrical shock, disconnect electrical supply before installation or servicing.
- Contractor is responsible for adequately reinforcing walls and/or ceilings to support fixture weight.
- Focal Point, LLC accepts no responsibility for inadequately reinforced walls and/or ceilings.
- The information contained in this drawing is the sole property of Focal Point, LLC. Any reproduction in part or whole without the written permission of Focal Point, LLC is prohibited.

## INSTRUCTION KEY

- ATTENTION**
- SEE ADDITIONAL INSTRUCTIONS**
- POWER OFF**
- POWER ON**

## COMPONENT KEY

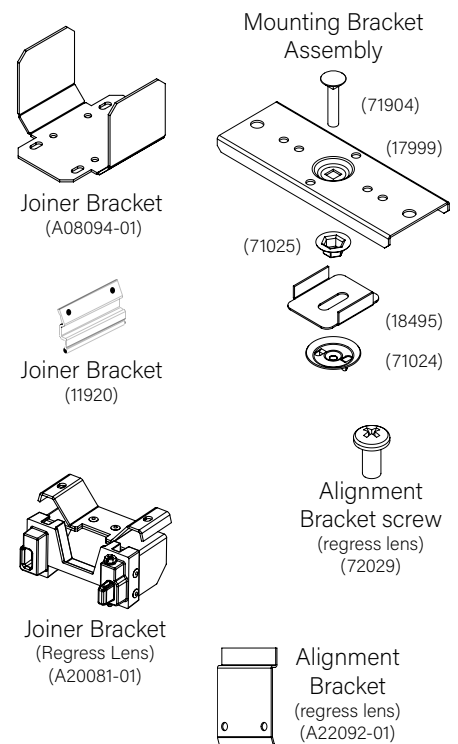
### FOCAL POINT



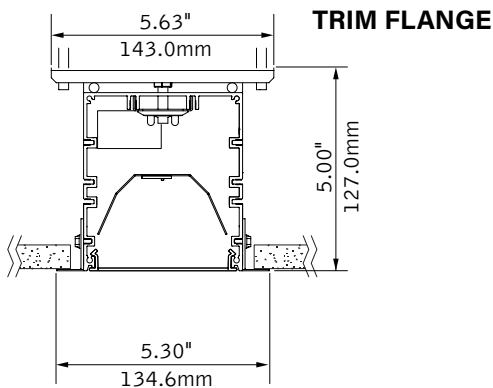
### INCLUDED HARDWARE



### PARTS SHIPPED INSTALLED

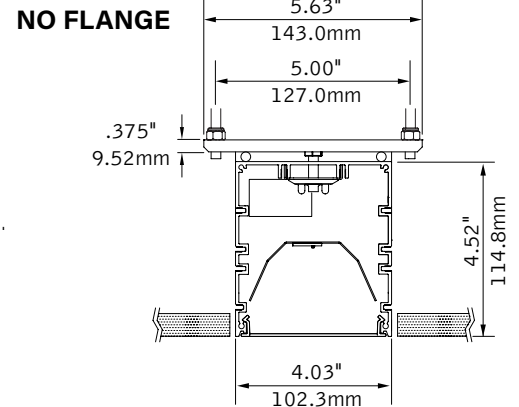


## MOUNTING BRACKET MUST BE INSTALLED PRIOR TO DRYWALL/CEILING



MOUNTING BRACKET MUST BE SECURED TO STRUCTURE ABOVE.

1/4" - 20 CARRIAGE BOLT MAY BE SUPPLIED BY OTHERS FOR GREATER ADJUSTABILITY.



# MOUNTING LOCATIONS

START OF RUN/INDIVIDUAL

INTERMEDIATE/END OF RUN

### FLUSH LENS

HOUSING LENGTH	A	B	C
2'	3"	17"	18"
3'	6"	23"	24"
4'	6"	35"	36"
5'	6"	47"	48"
6'	6"	59"	60"
7'	6"	71"	72"
8'	6"	83"	84"

### REGRESS LENS

HOUSING LENGTH	A	B	C
2'	1"	21"	22"
3'	1"	33"	34"
4'	6"	35"	36"
5'	6"	47"	48"
6'	6"	59"	60"
7'	6"	71"	72"
8'	6"	83"	84"

**!** MOUNTING LOCATION CHART IS AN APPROXIMATE GUIDE ONLY.

# CEILING CUTOUT - TRIM FLANGE

CEILING CUTOUT LENGTH =  
NOMINAL RUN LENGTH MINUS 5/16" (+/- 1/16")

EXAMPLE:  
12' RUN LENGTH = 11' 11-3/4" CUTOUT LENGTH

4.50" MIN  
4.625" MAX

**!** CORNER UNIT MUST BE ASSEMBLED PRIOR TO CEILING INSTALLATION.

**1**

**!** AVOID ALL CONTACT WITH LED SURFACE, LEDs ARE EASILY DAMAGED

**2**

**3**

**MAKE ELECTRICAL CONNECTION**

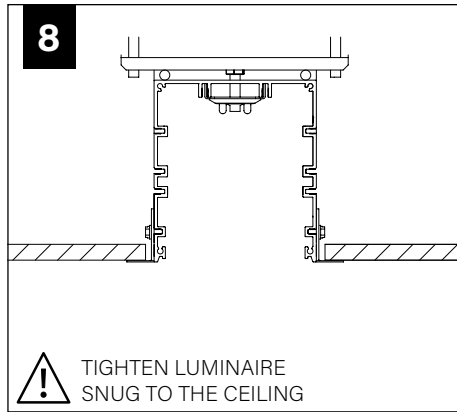
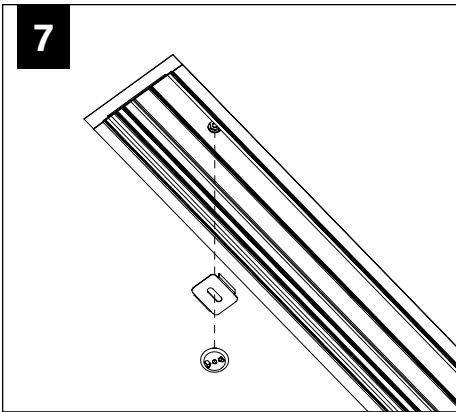
**4**

**!** SECURE MOUNTING BRACKET TO STRUCTURE ABOVE. 1/4" - 20 CARRIAGE BOLT RECOMMENDED (BY OTHERS)

**5**

HOUSING CAN BE INSTALLED PERPENDICULARLY OR PARALLEL TO MOUNTING BRACKET

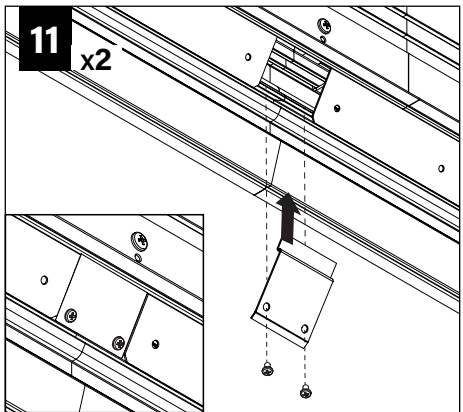
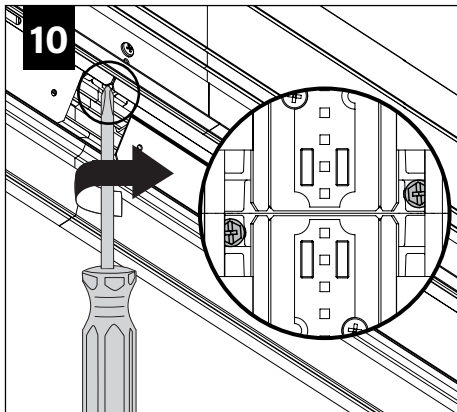
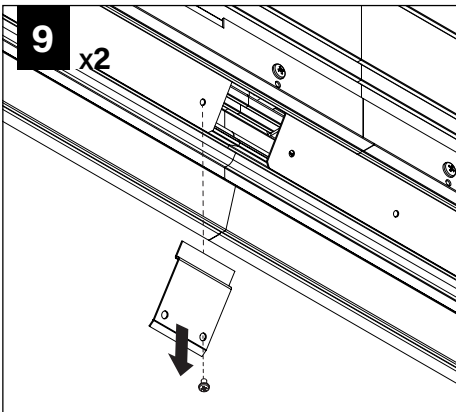
**6**



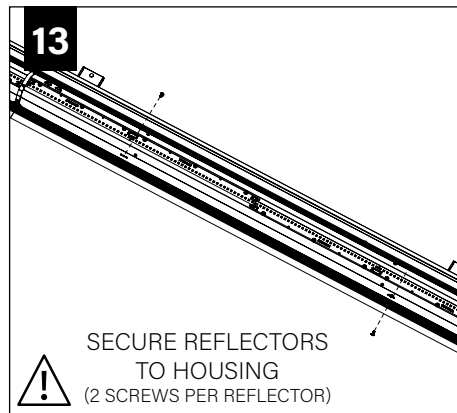
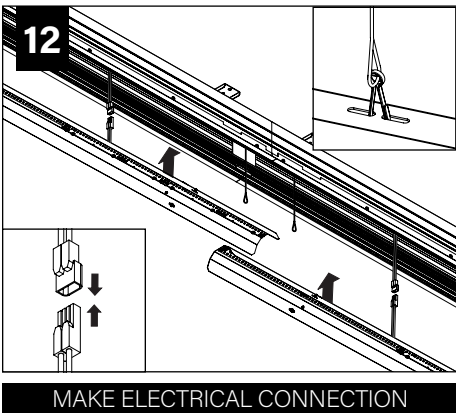
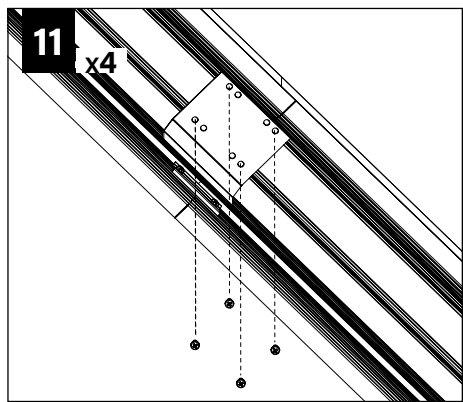
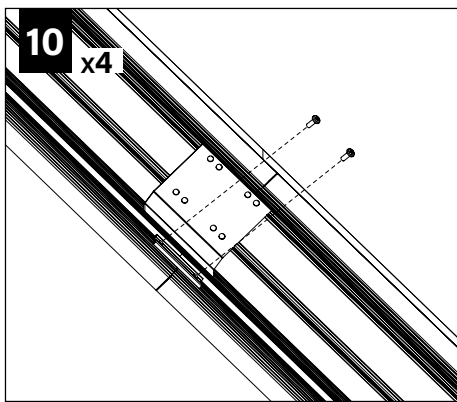
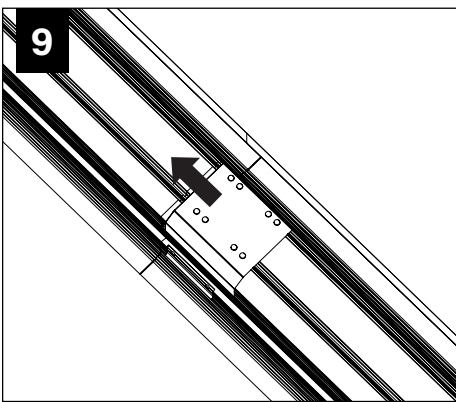
REPEAT STEPS 4-8 UNTIL ALL  
UNITS ARE IN THE CEILING

INDIVIDUAL INSTALLATIONS  
**SKIP TO STEP 12**

**REGRESS LENS**



**FLUSH/POP-DOWN LENS**



## FLUSH LENS

12

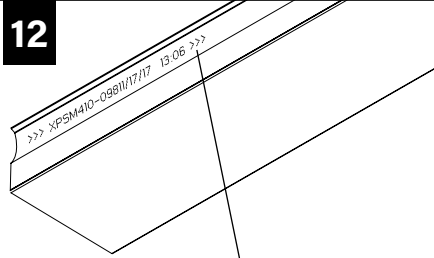


REFERENCE INSTRUCTIONS  
ON INCLUDED TOOL FOR  
LENS INSTALLATION.



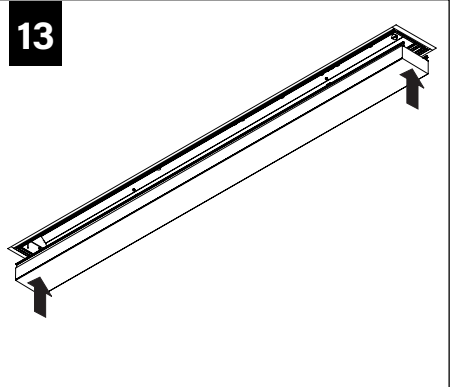
## POP-DOWN LENS

12



USE IMPRINT ON 0.5" POP-DOWN  
LENSES TO ENSURE ALL LENSES  
ARE INSTALLED FACING THE  
SAME DIRECTION

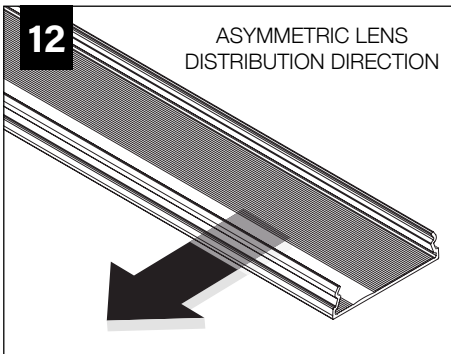
13



## ASYMMETRIC LENS

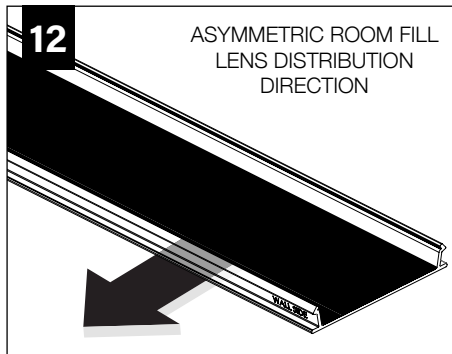
12

ASYMMETRIC LENS  
DISTRIBUTION DIRECTION



12

ASYMMETRIC ROOM FILL  
LENS DISTRIBUTION  
DIRECTION



## EMERGENCY

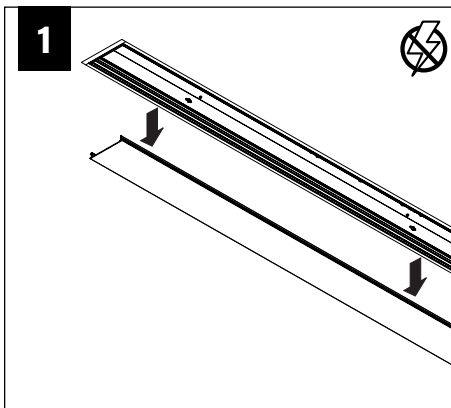


SEE BATTERY MANUFACTURER  
INSTRUCTIONS

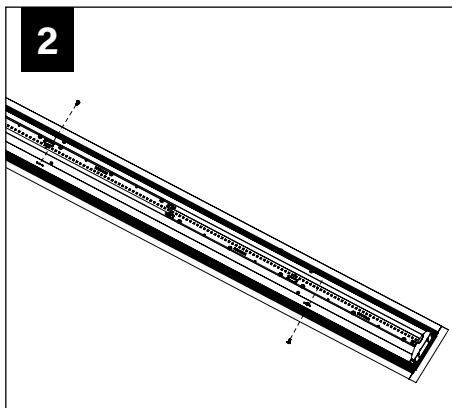
EMERGENCY MAXIMUM MOUNTING HEIGHT:  
**13.00'**

## DRIVER SERVICE

1



2



3

