

# seem 4™ led wall to ceiling corners

FSM4L-CXF

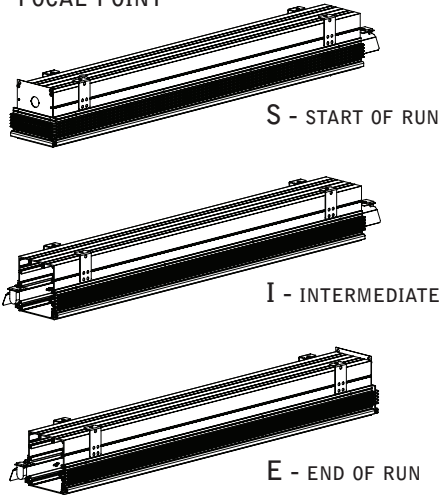


FOCAL POINT®

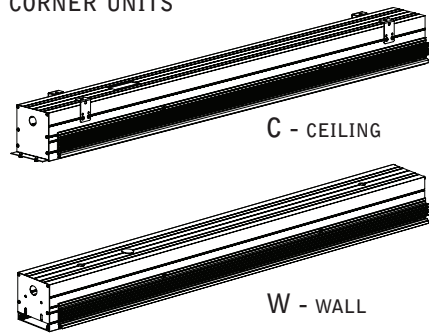
**! LUMINAIRE MUST BE INSTALLED PRIOR TO DRYWALL. !**

**! CONFIGURATIONS ARE RUN SPECIFIC, PLEASE CONSULT FACTORY DRAWINGS BEFORE BEGINNING INSTALLATION. !**



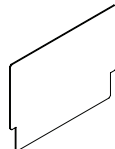


## FOCAL POINT


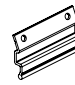
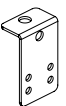
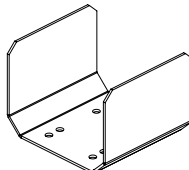
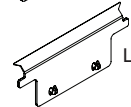
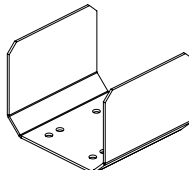


## CORNER UNITS






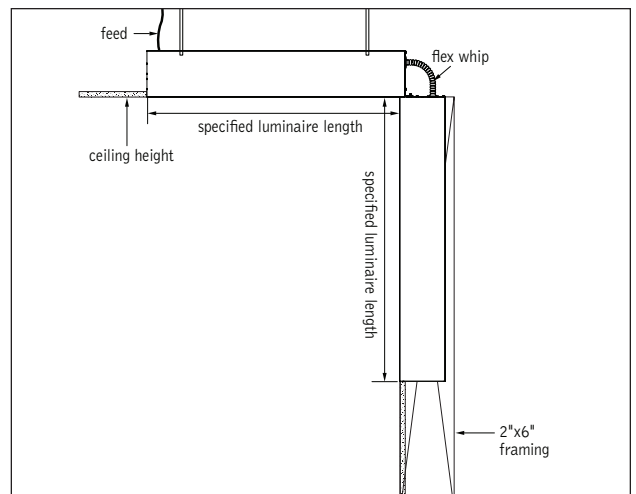
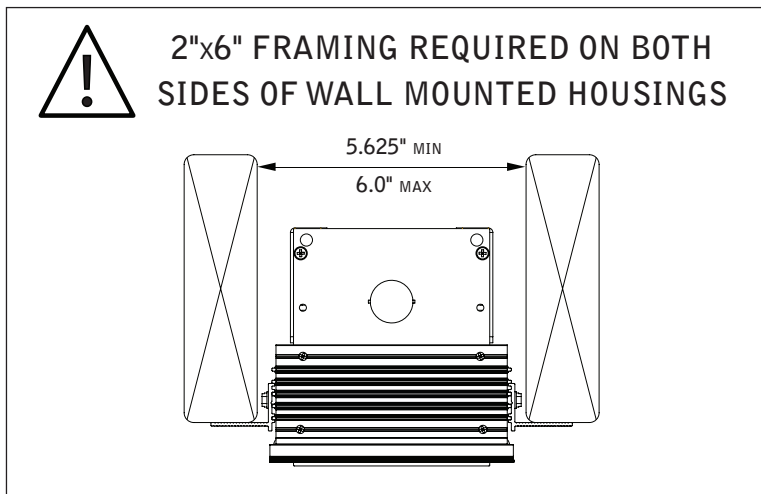
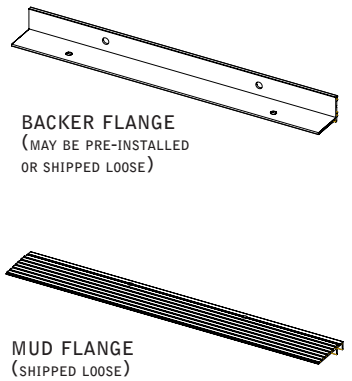
## PARTS LISTS

INCLUDED HARDWARE	
 <b>REFLECTOR (70008)</b> (6-32 X 5/16 PAN-HEAD MACHINE SCREW)	 <b>MUD FLANGE (70005)</b> (8-32 X 5/16" FLAT UNDERCUT HEAD SCREW)
 <b>LENS TOOL (A09052-02)</b> (AFFIXED TO HOUSING. ONE PER RUN)	 <b>BACKER FLANGE (72001)</b> (8-32X 3/8" WASHER HEX HEAD SCREW)
 <b>HOUSING SPACER (11699)</b>	

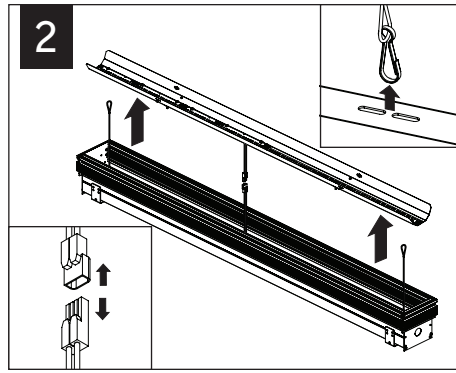
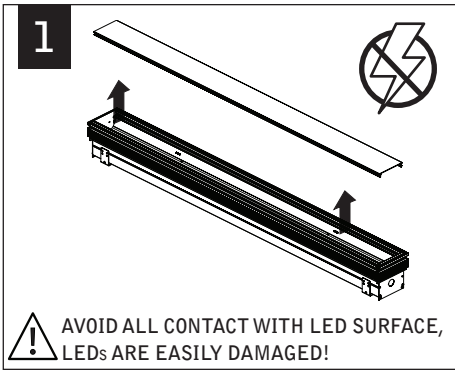
SHIPPED INSTALLED	
 <b>TIE-WIRE BRACKET SCREW (72010)</b> (8-18 x 1/4 SELF TAPPING SCREW)	 <b>JOINER BRACKET (11920)</b>
 <b>TIE WIRE BRACKET (12547)</b>	 <b>JOINER BRACKET (11849)</b>
 <b>LENS END PIECE (A07670)</b>	 <b>JOINER BRACKET (11849)</b>

## KEY

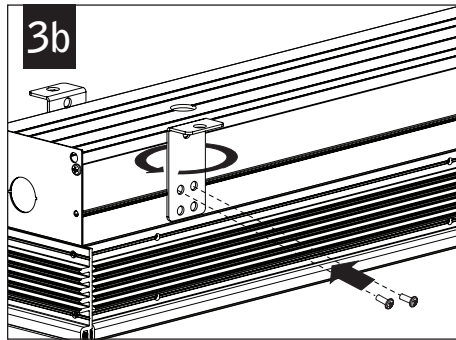
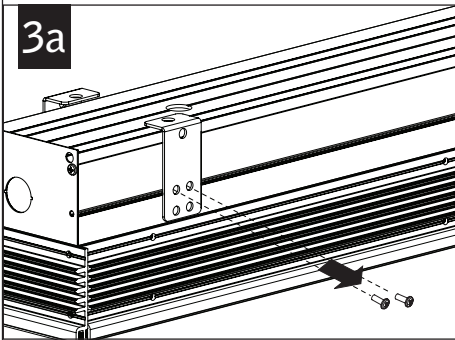
-  POWER OFF
-  POWER ON
-  ATTENTION



Luminaires must be installed by a qualified electrician (check with local and national codes for proper installation). To prevent electrical shock, disconnect electrical supply before installation or servicing.



**CEILING UNITS ONLY**

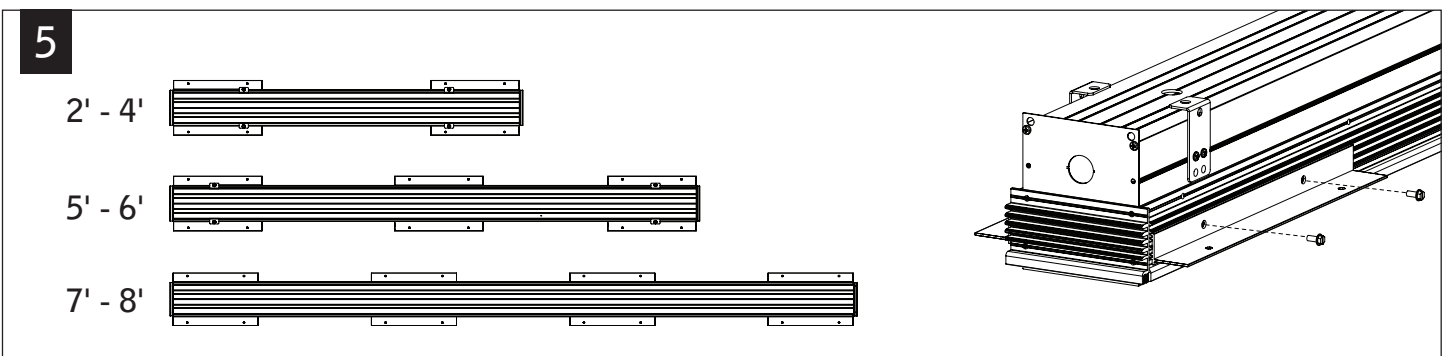


**4** USING THE BACKER FLANGE PLACEMENT GUIDE FROM **PAGE 1** DETERMINE THE PROPER PLACEMENT OF THE BACKER FLANGE FOR YOUR DRYWALL THICKNESS.

IF BACKER FLANGES WERE PRE-INSTALLED SKIP TO STEP 6

**BACKER FLANGE PLACEMENT GUIDE**

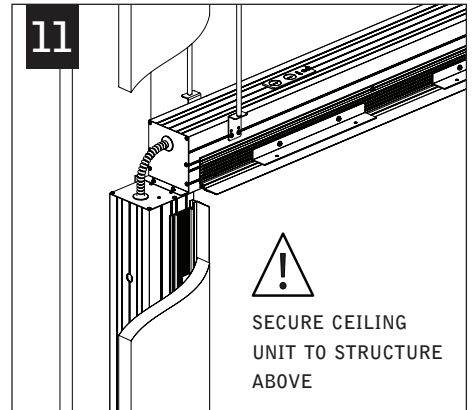
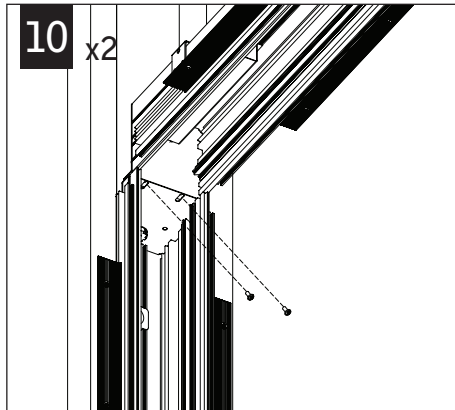
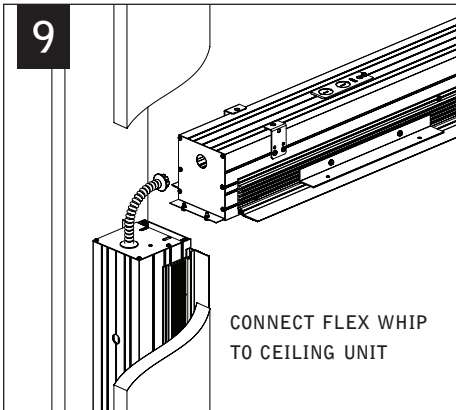
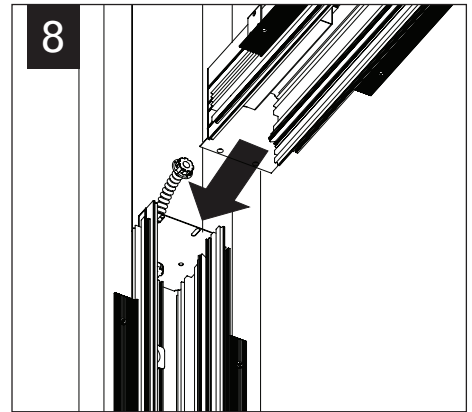
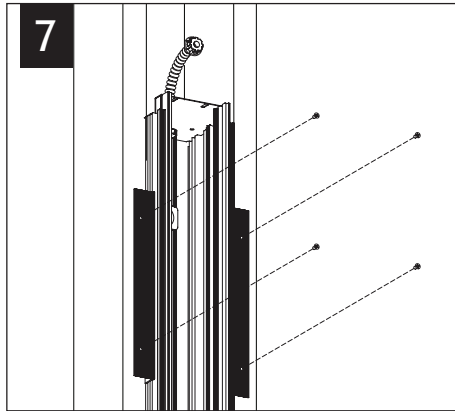
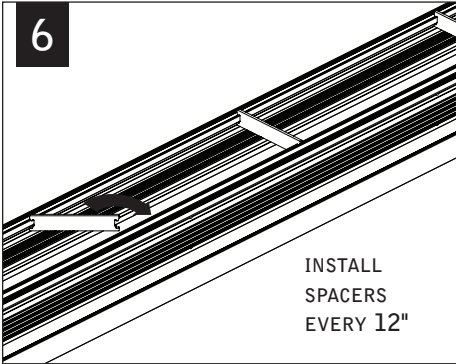
DRYWALL THICKNESS	ORIENTATION	GUIDE POINT	POSITION
3/8"	1	X	F
1/2"	1	X	E
5/8"	1	X	D
3/4"	1	X	C
7/8"	1	X	B
1"	1	X	A
1 1/8"	1	Y	G
1 1/4"	2	Y	F
1 3/8"	2	Y	E
1 1/2"	2	Y	D
1 5/8"	2	Y	C
1 3/4"	2	Y	B
1 7/8"	2	Y	A
2"	2	X	E
2 1/8"	2	X	D



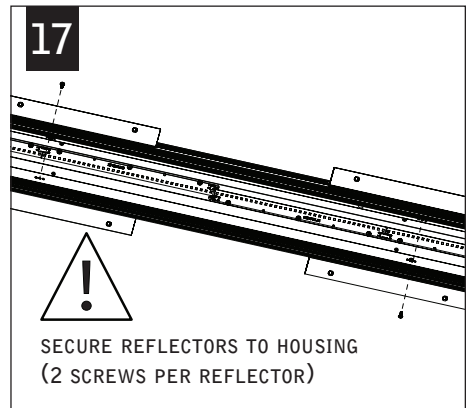
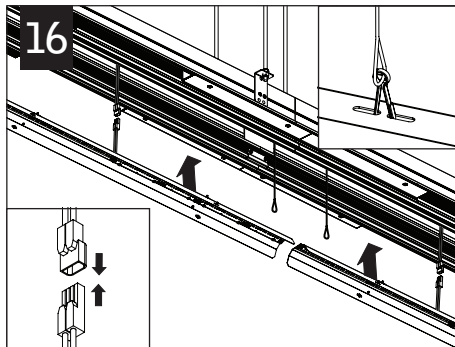
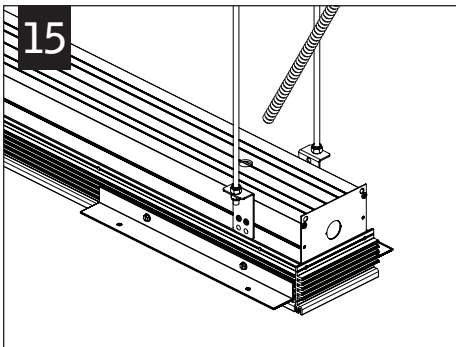
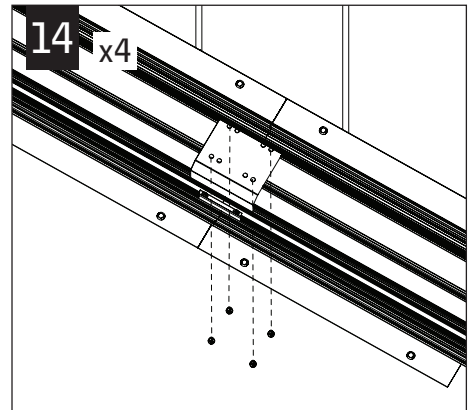
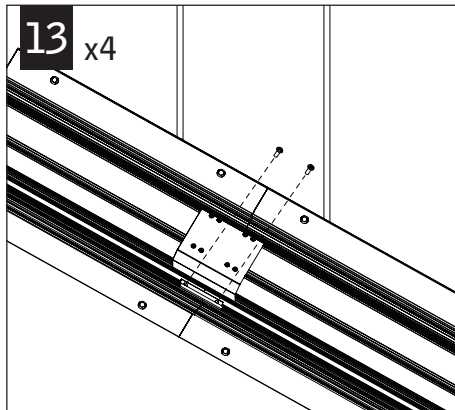
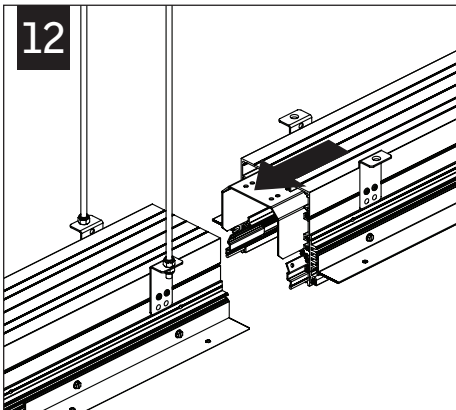
Luminaires must be installed by a qualified electrician (check with local and national codes for proper installation).  
To prevent electrical shock, disconnect electrical supply before installation or servicing.

## CORNER UNITS (C & W) INSTALLATION

### WALL CORNER UNIT (W) ONLY

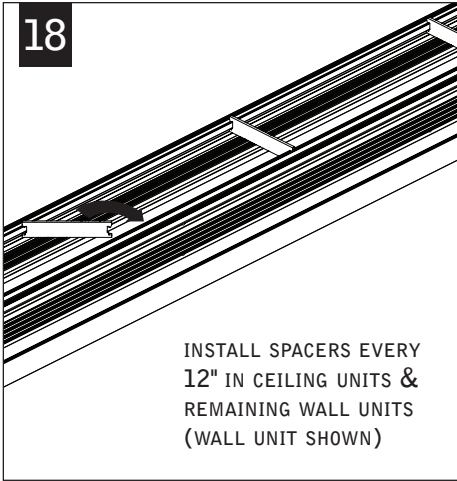


## CONTINUE INSTALLING REMAINING CEILING UNITS

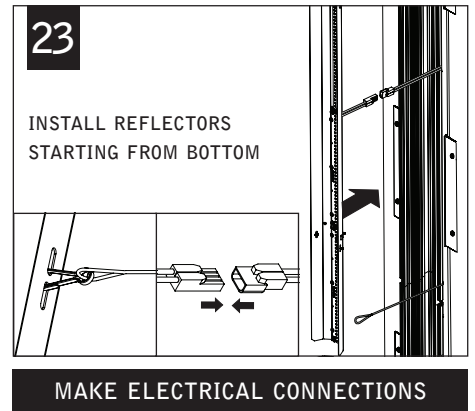
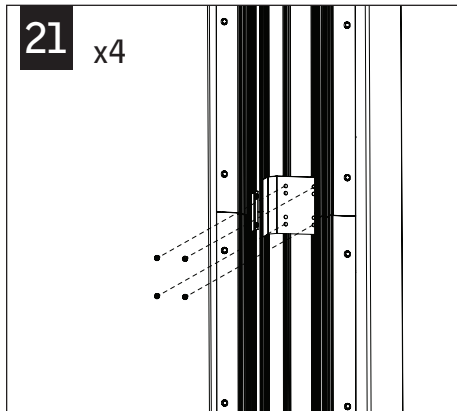
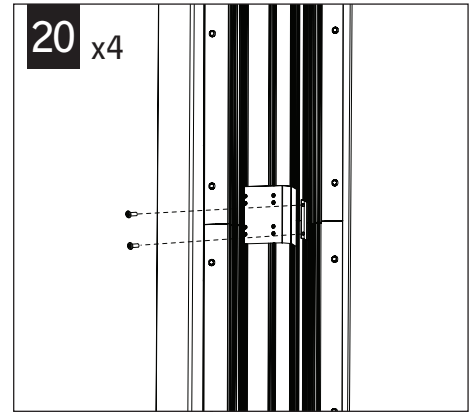
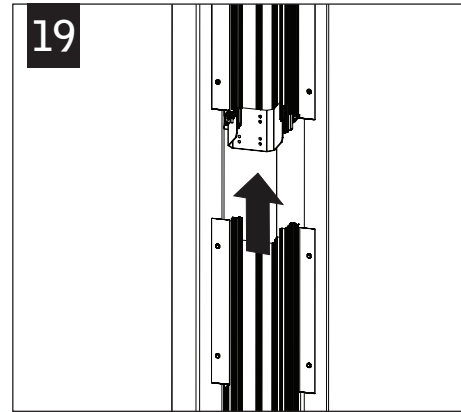


### MAKE ELECTRICAL CONNECTIONS

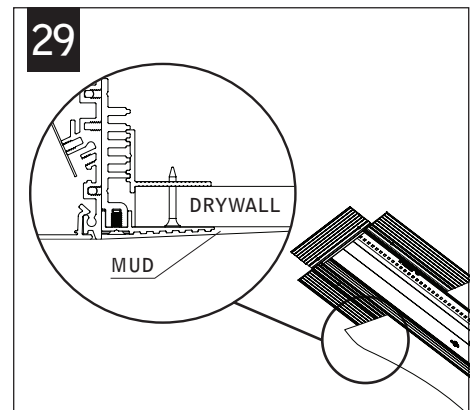
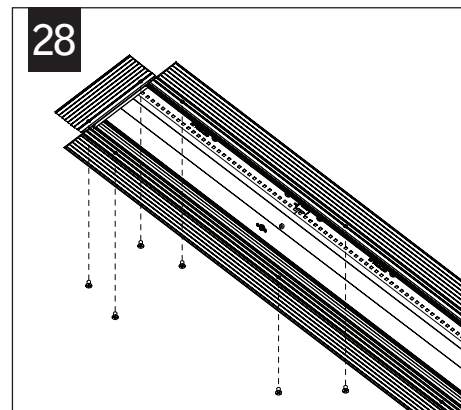
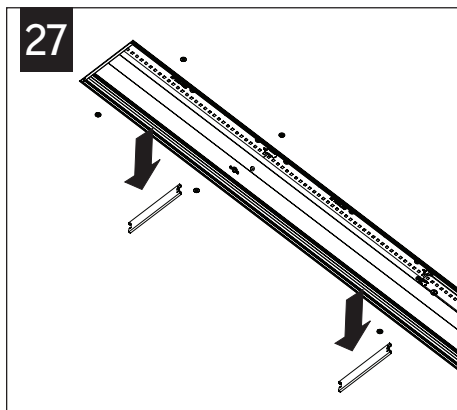
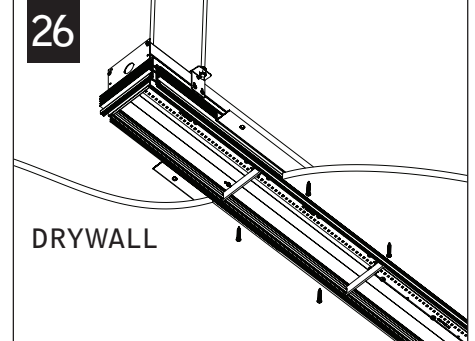
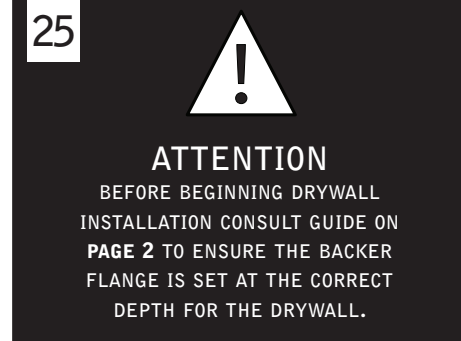
Luminaires must be installed by a qualified electrician (check with local and national codes for proper installation).  
To prevent electrical shock, disconnect electrical supply before installation or servicing.



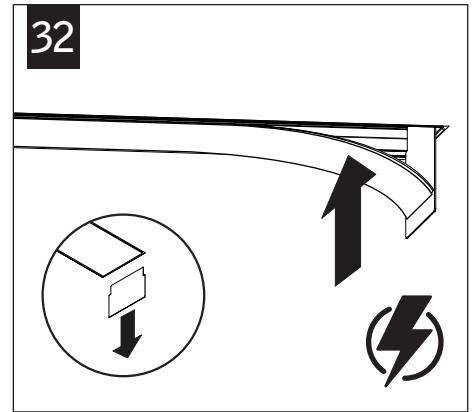
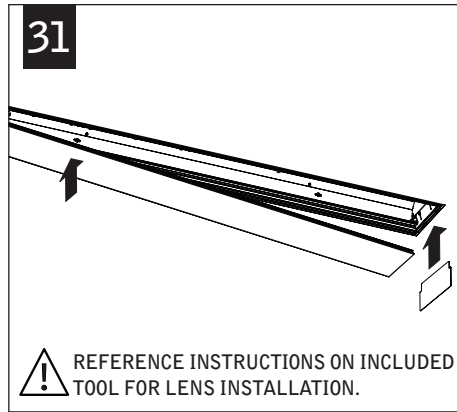
**INSTALL REMAINING WALL HOUSINGS**



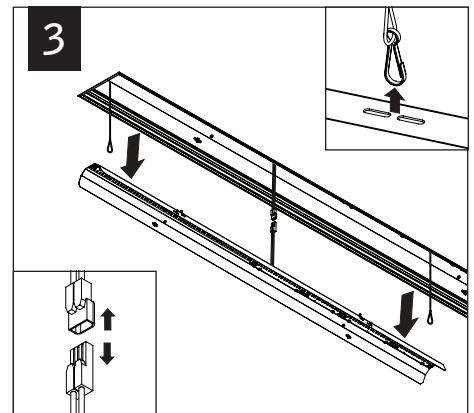
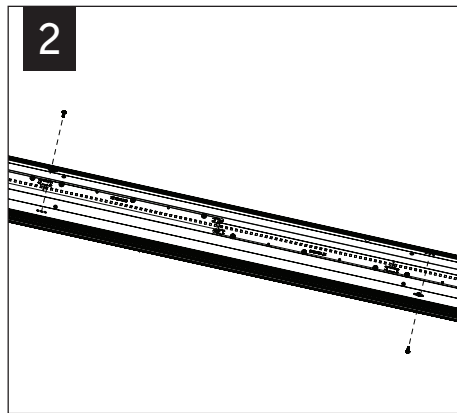
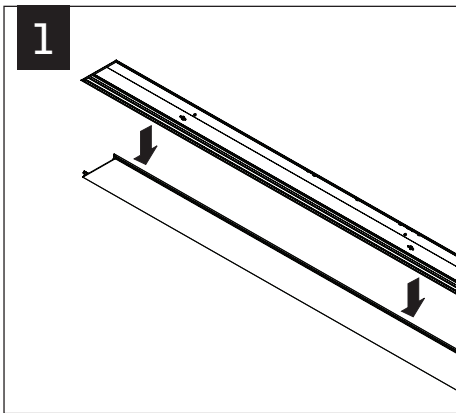
**BEGIN DRYWALL INSTALLATION (CEILING UNITS SHOWN)**



Luminaires must be installed by a qualified electrician (check with local and national codes for proper installation).  
To prevent electrical shock, disconnect electrical supply before installation or servicing.



**DRIVER SERVICE**



**EMERGENCY**

**I**

SEE BATTERY MANUFACTURER  
INSTRUCTIONS

EMERGENCY MAXIMUM MOUNTING HEIGHT:  
13.00'

Contractor is responsible for adequately reinforcing walls and/or ceilings to support luminaire weight. Focal Point, LLC accepts no responsibility for inadequately reinforced walls and/or ceilings. The information contained in this drawing is the sole property of Focal Point, LLC. Any reproduction in part or whole without the written permission of Focal Point, LLC is prohibited.