

# Seem™ 4 Wet Location

Surface Mount | FSM4LWLS



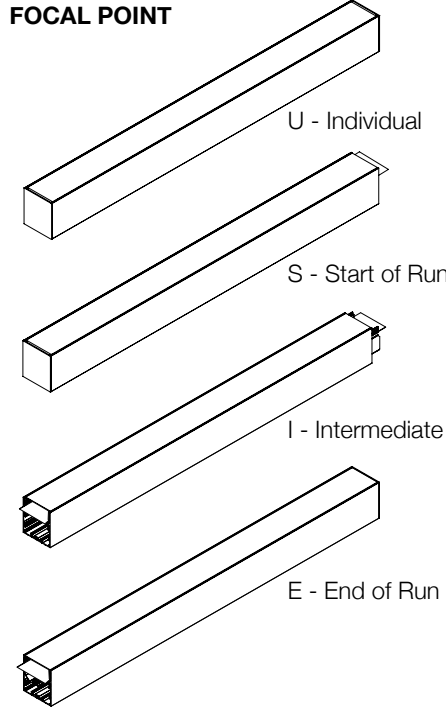
## BEFORE YOU BEGIN

- Luminaires must be installed by a qualified electrician (check with local and national codes for proper installation).
- To prevent electrical shock, disconnect electrical supply before installation or servicing.
- Contractor is responsible for adequately reinforcing walls and/or ceilings to support fixture weight.
- Focal Point, LLC accepts no responsibility for inadequately reinforced walls and/or ceilings.
- The information contained in this drawing is the sole property of Focal Point, LLC. Any reproduction in part or whole without the written permission of Focal Point, LLC is prohibited.

## INSTRUCTION KEY

- ATTENTION
- SEE ADDITIONAL INSTRUCTIONS
- POWER OFF
- POWER ON

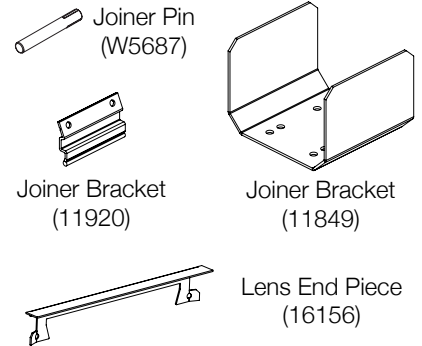
## COMPONENT KEY



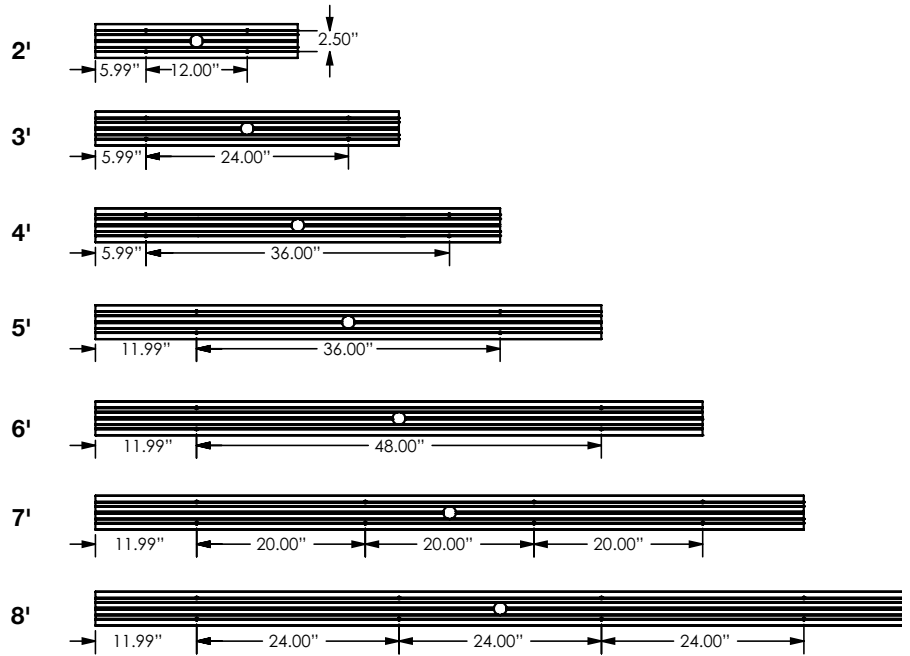
### SHIPPED IN HARDWARE BAG



### SHIPPED INSTALLED

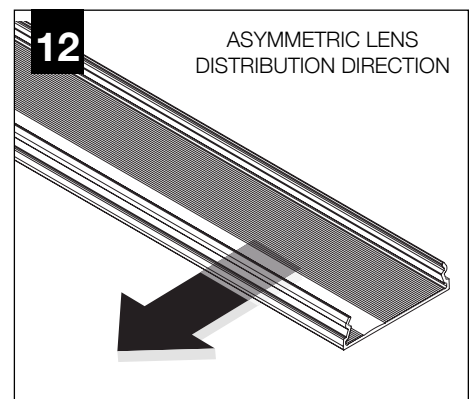
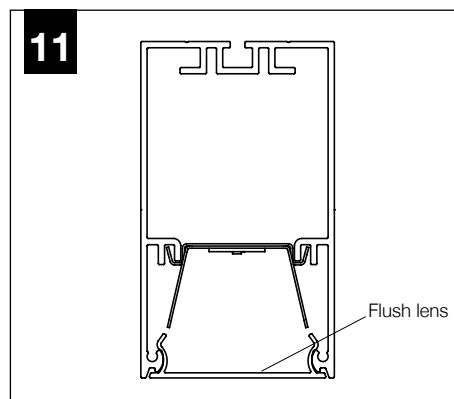
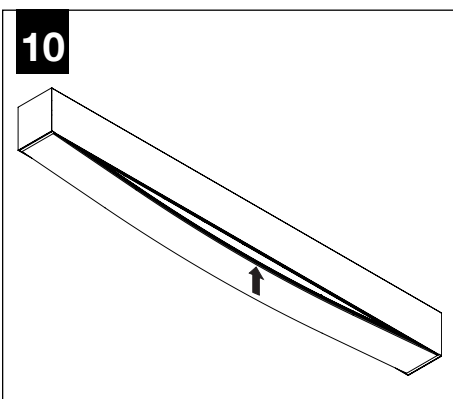
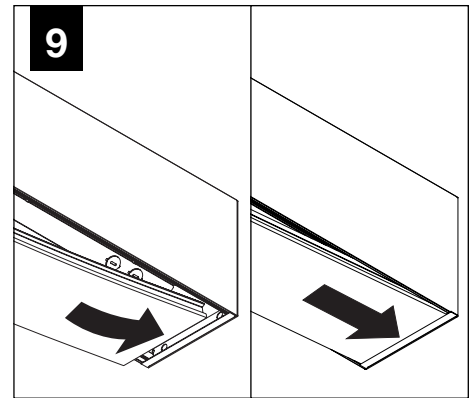
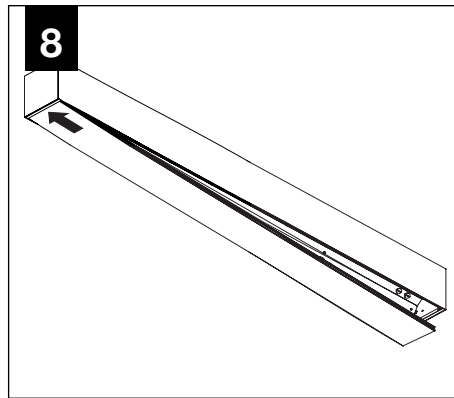
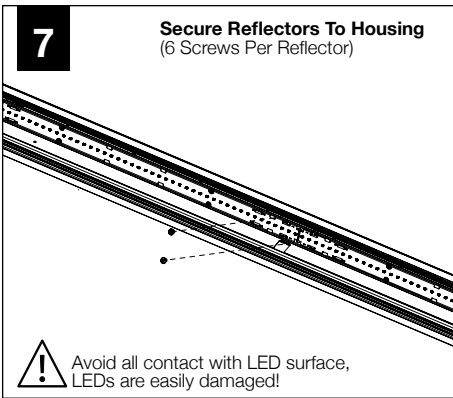
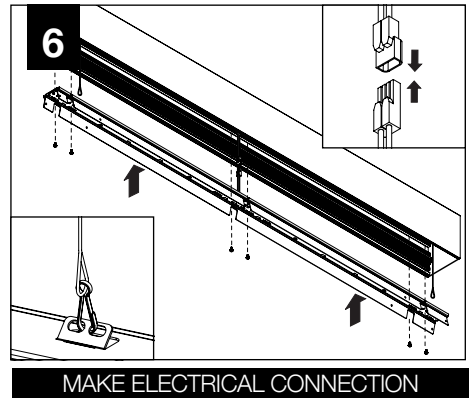
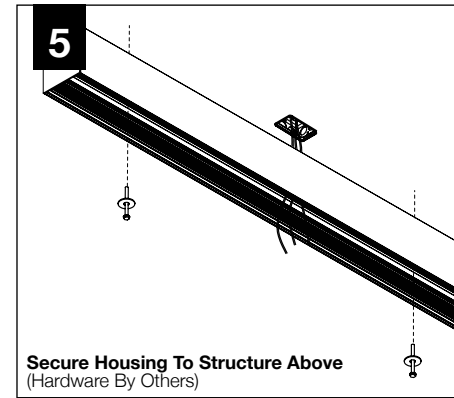
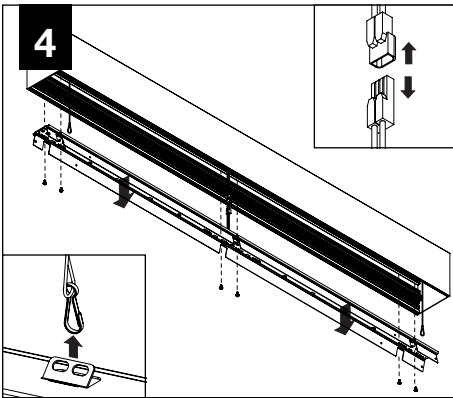
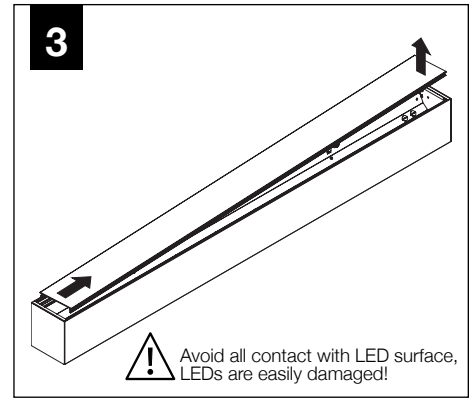
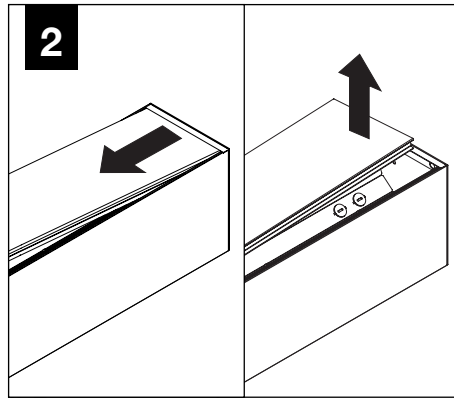
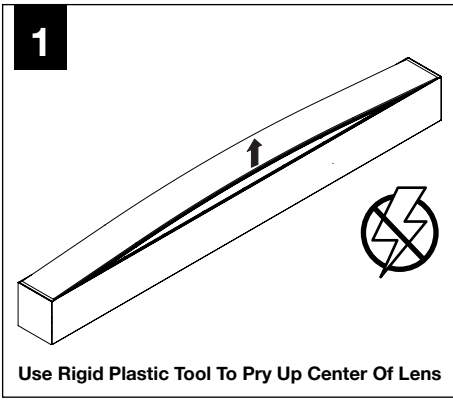


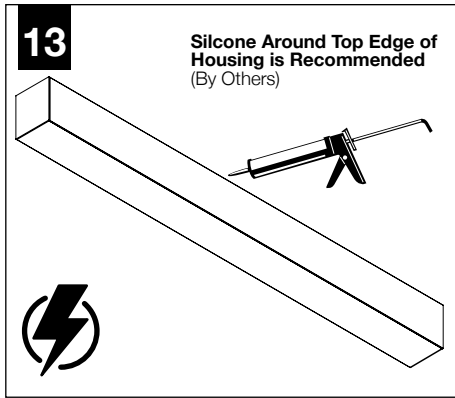
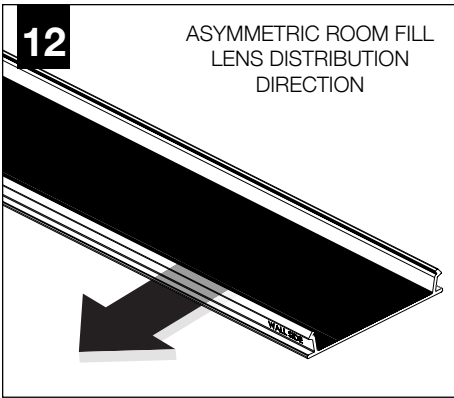
## MOUNTING



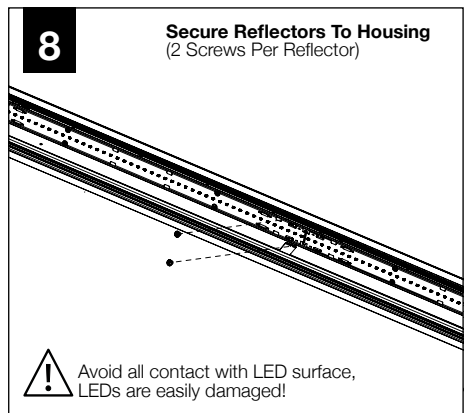
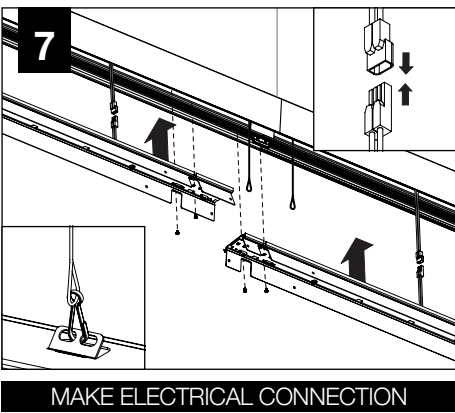
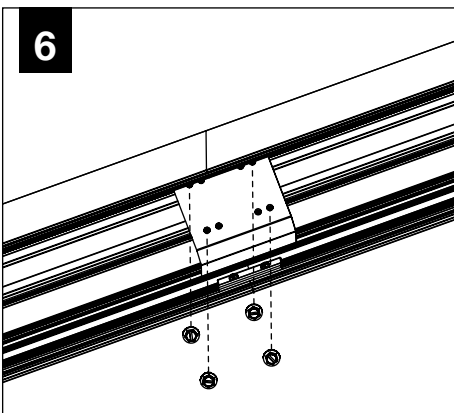
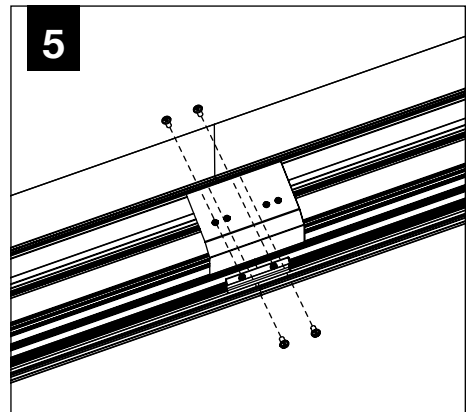
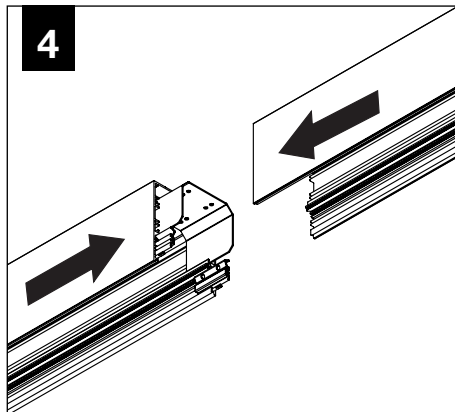
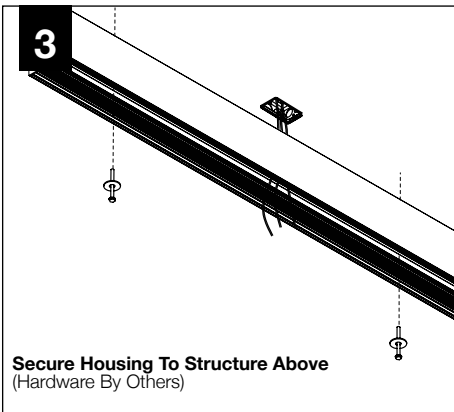
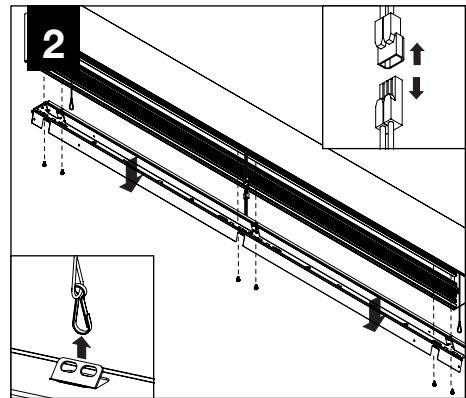
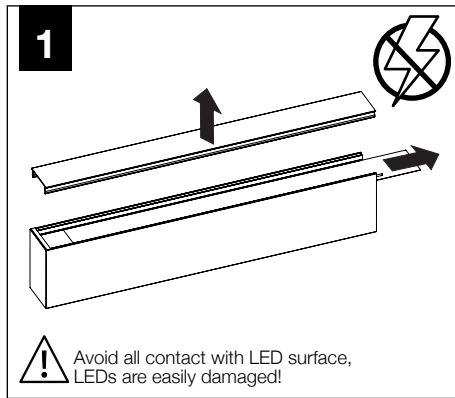
Feed location is always centered in housing. Use single device cover or single gang handy box and mounting hardware (by others)

# INDIVIDUAL UNITS





**JOINED UNITS**



**9** Water Shield Lens Installs Shiny Side Towards Led

**I** 2', 3', 4' Lengths: 1 Water Shield Lens  
5', 6', 7', 8' Lengths: 2 Water Shield Lenses

**10**

**11**

**12** Repeat Steps 9-12 For Each Additional Water Shield Lens

Water Shield Lenses Overlap 2"

**13**

**14**

**15**

Water shield lens  
Flush lens

**16** Silicone Around Top Edge of Housing is Recommended (By Others)

⚡

**DRIVER SERVICE**

**1**

⚡

⚠ Avoid all contact with LED surface, LEDs are easily damaged!

**2**

⚡

⚠ Avoid all contact with LED surface, LEDs are easily damaged!

**3**

⚡

# EMERGENCY



SEE BATTERY MANUFACTURER  
INSTRUCTIONS  
**Emergency Maximum  
Mounting Height: 19.2'**