

Seem® 2 LED Perimeter

FSM2PR | GRID/TRIMLESS DRYWALL



FOCAL POINT®

BEFORE YOU BEGIN

- Luminaires must be installed by a qualified electrician (check with local and national codes for proper installation).
- To prevent electrical shock, disconnect electrical supply before installation or servicing.
- Contractor is responsible for adequately reinforcing walls and/or ceilings to support fixture weight.
- Focal Point, LLC accepts no responsibility for inadequately reinforced walls and/or ceilings.
- The information contained in this drawing is the sole property of Focal Point, LLC. Any reproduction in part or whole without the written permission of Focal Point, LLC is prohibited.

INSTRUCTION KEY



ATTENTION



SEE ADDITIONAL INSTRUCTIONS



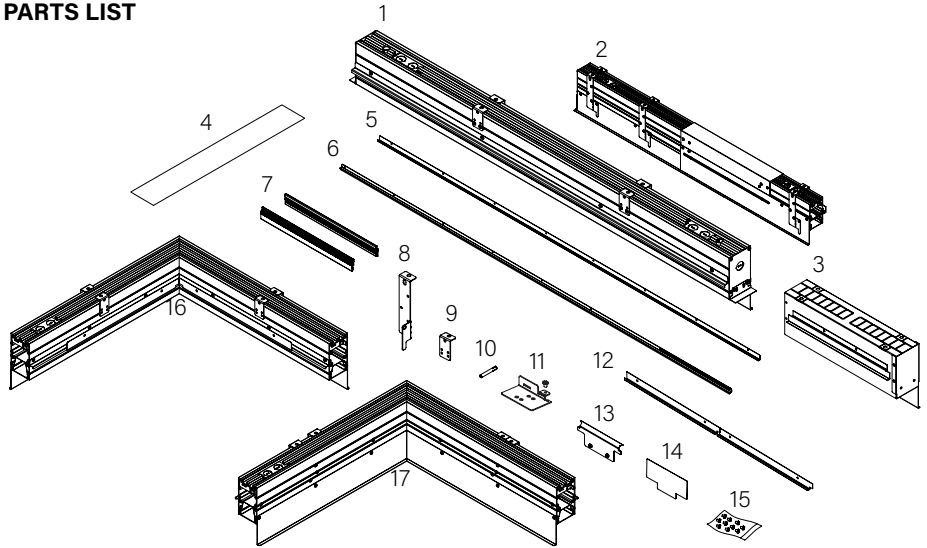
POWER OFF



POWER ON

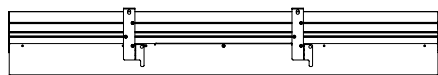
COMPONENT KEY

PARTS LIST

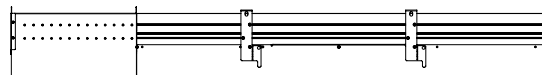


- | | | |
|---|----------------------------|--|
| 1 Housing | 8 Tie-wire/grid bracket | 16 Outside corner |
| 2 Adjustable housing | 9 Tie-wire bracket | 17 Inside corner |
| 3 Sliding sleeve (ss)
(shipped installed. SSB indicates a sliding sleeve at both ends) | 10 Joiner pin | BY OTHERS: |
| 4 Finish plate | 11 Joiner bracket assembly | Grid ceiling -
15/16" or 9/16" flat tee main
runner required
for finish edge. |
| 5 J-rail | 12 Corner j-rail | |
| 6 Z-rail | 13 Lens end piece | |
| 7 Housinf rail kit | 14 Lens tool | |
| | 15 Hardware bag | |

HOUSING TYPES - 4' SHOWN



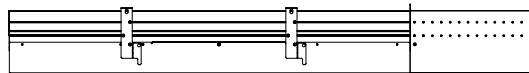
INDIVIDUAL (MAY INCLUDE SLIDING SLEEVES)



START (SHOWN WITH SLIDING SLEEVE)



INTERMEDIATE

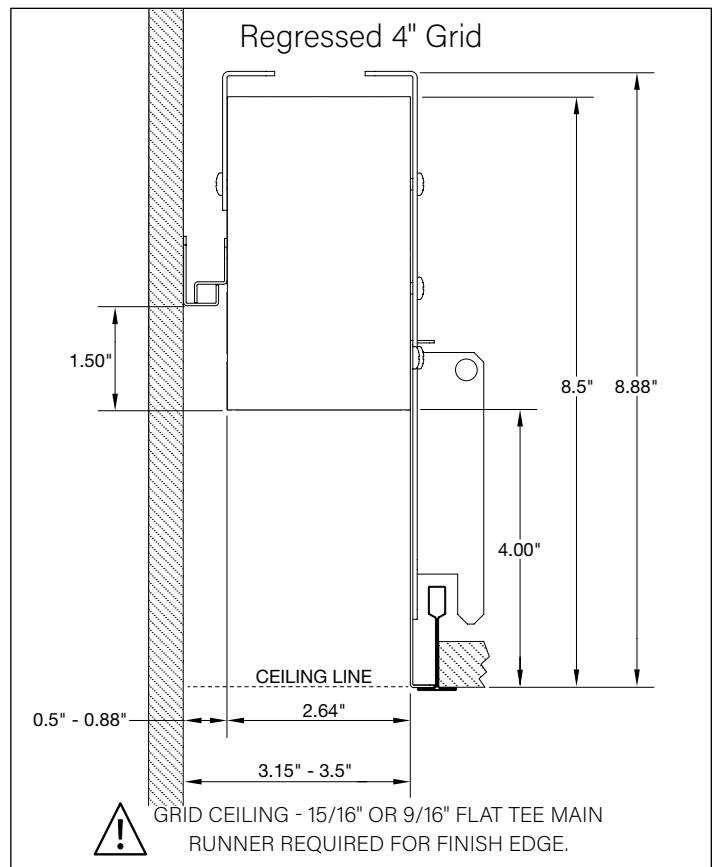
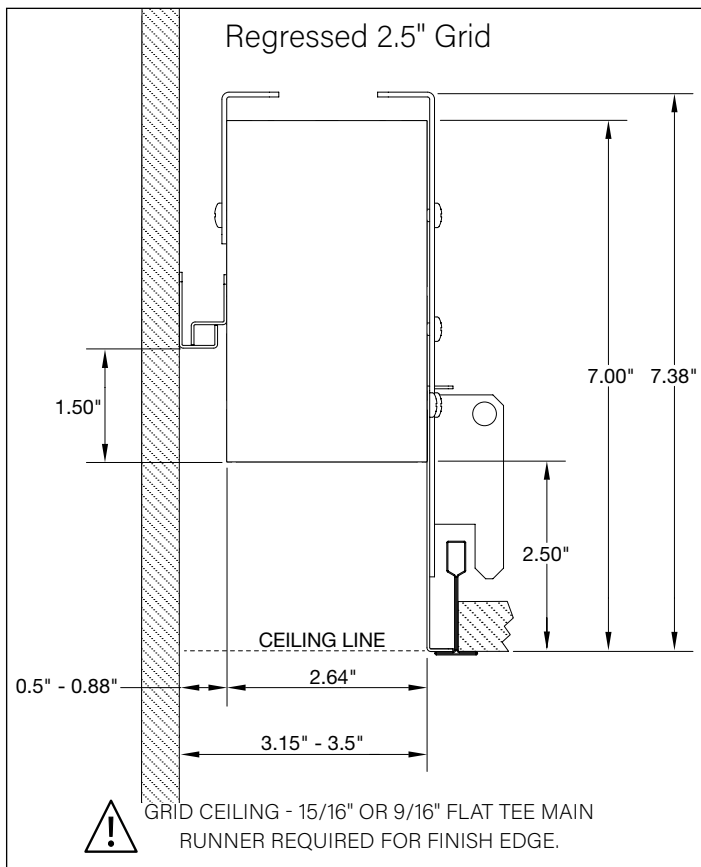
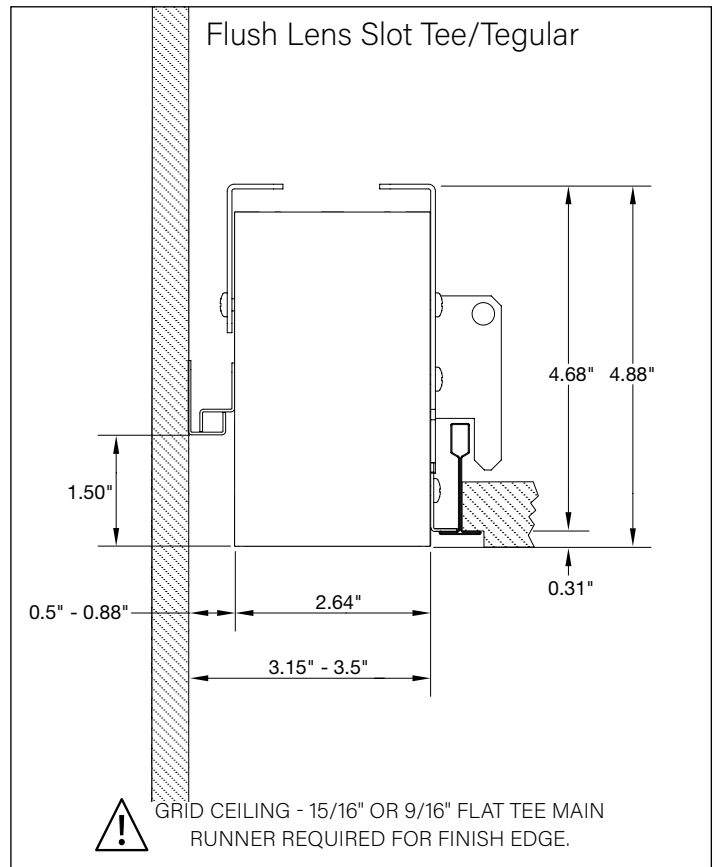
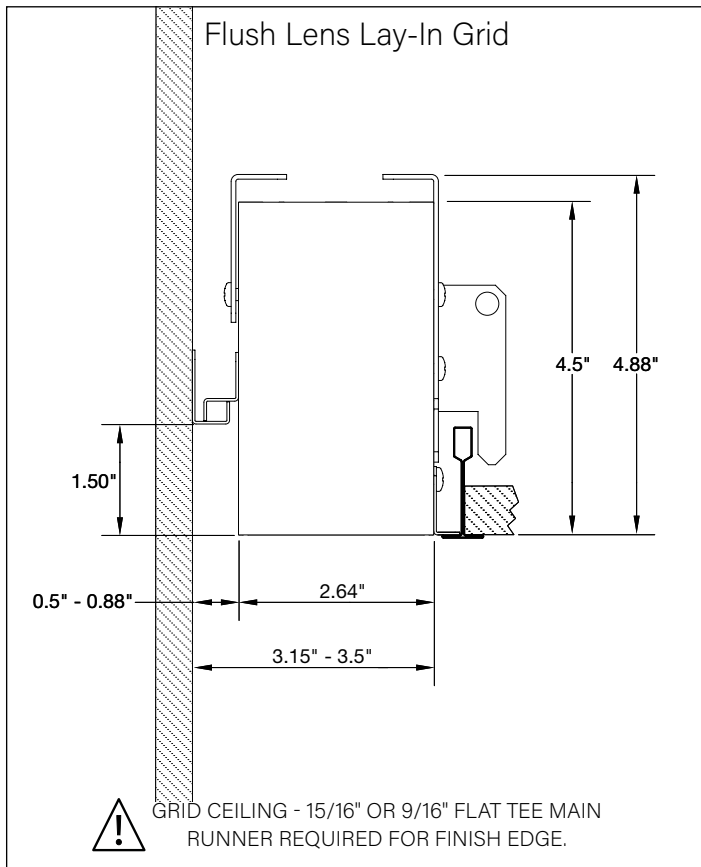


END (SHOWN WITH SLIDING SLEEVE)

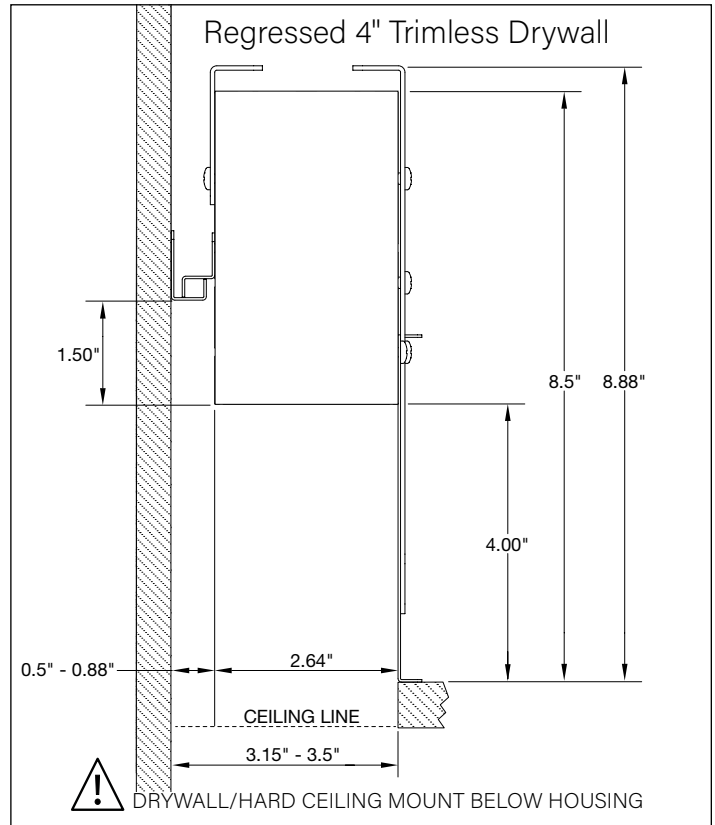
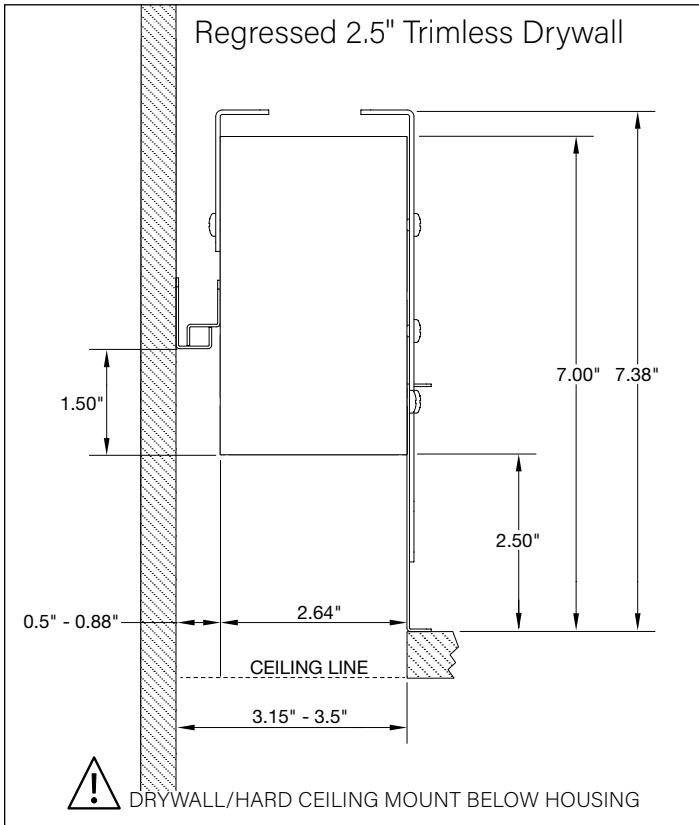


ADJUSTABLE HOUSING

WALL/CEILING PREPARATION

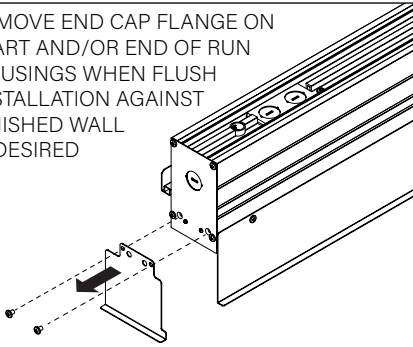


WALL/CEILING PREPARATION



OPTIONAL

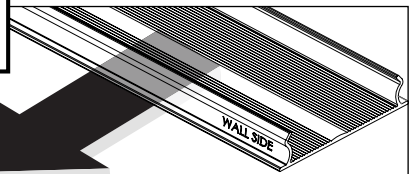
REMOVE END CAP FLANGE ON START AND/OR END OF RUN HOUSINGS WHEN FLUSH INSTALLATION AGAINST FINISHED WALL IS DESIRED



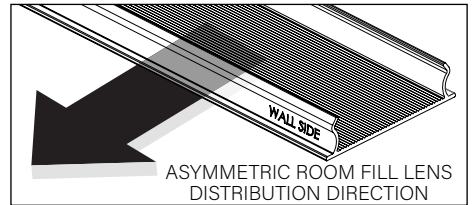
FOCAL POINT RECOMMENDS STARTING WITH CORNER INSTALLATION IF APPLICABLE

BASIC INSTALLATION, STEPS 1-13
ADJUSTABLE HOUSING, PAGE 5
SLIDING SLEEVES, PAGE 6
CORNERS, PAGE 7

SLIDING SLEEVE PAIRS (SSB) START & END WITH A SLIDING SLEEVE



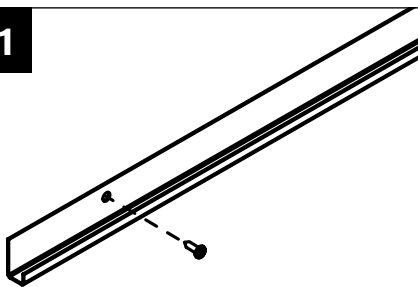
GRAZER LENS DISTRIBUTION DIRECTION



ASYMMETRIC ROOM FILL LENS DISTRIBUTION DIRECTION

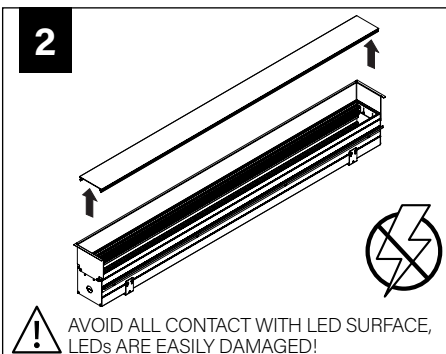
BASIC INSTALLATION

1



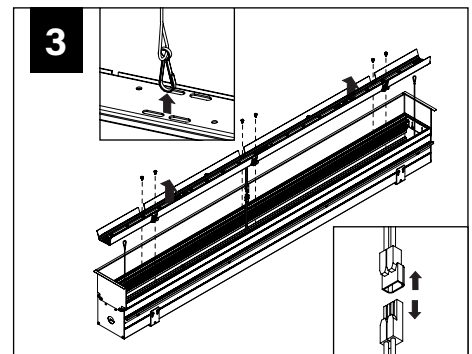
MOUNT J-RAIL TO WALL
(HARDWARE BY OTHERS)

2

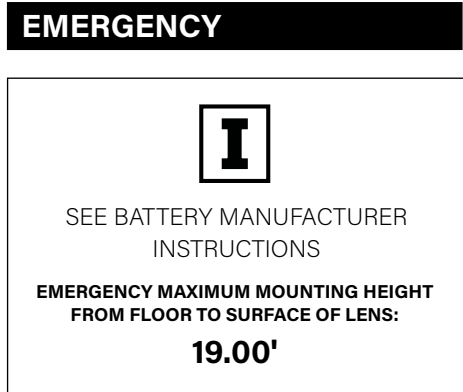
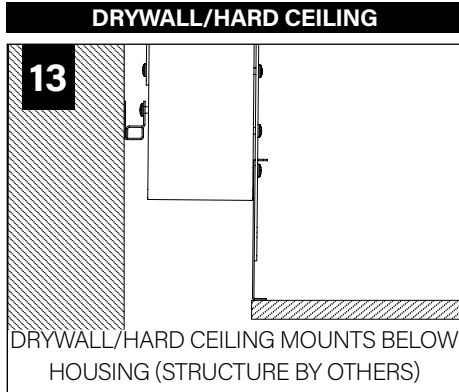
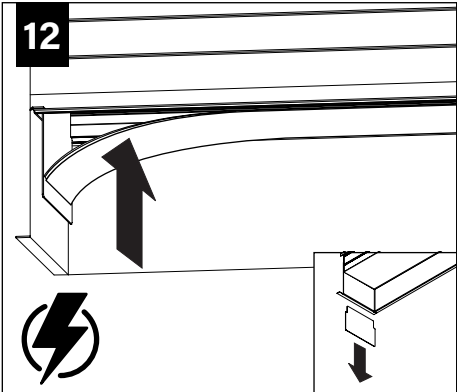
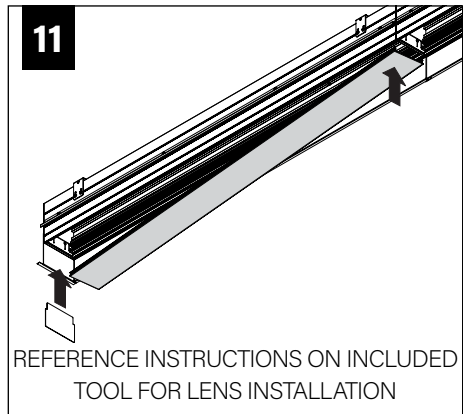
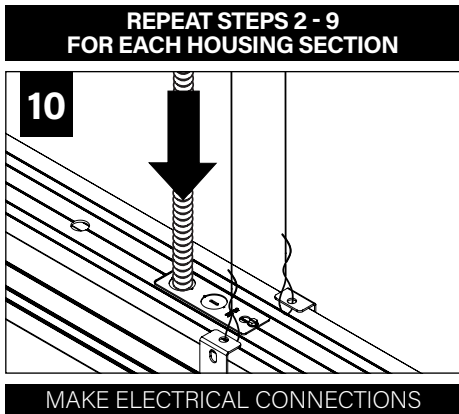
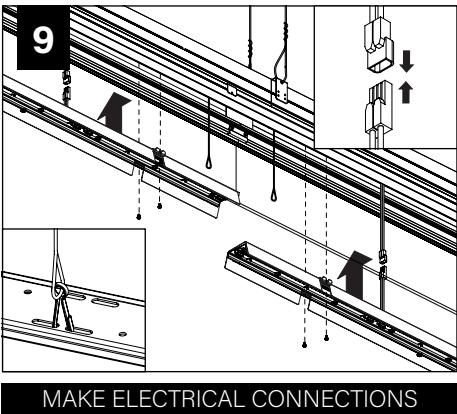
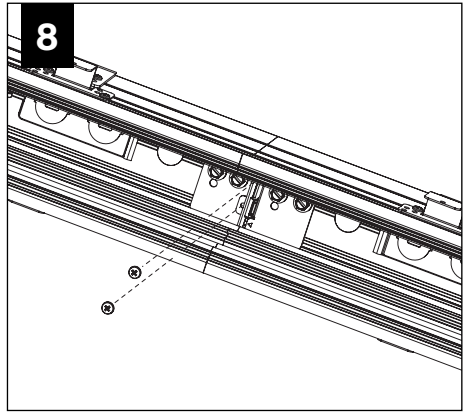
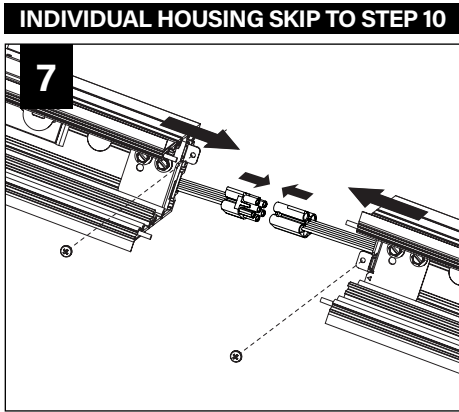
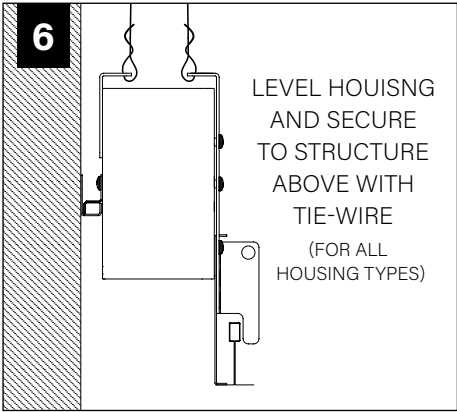
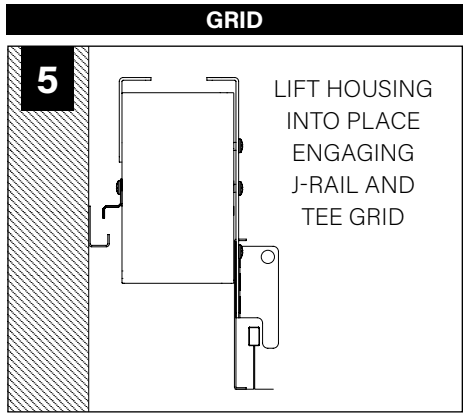
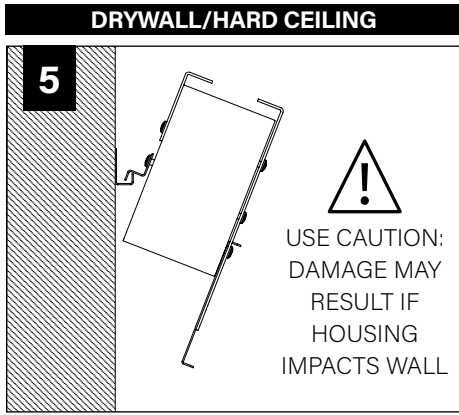
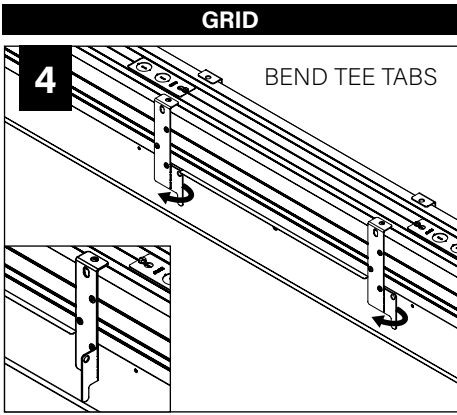


START, INTERMEDIATE, & END UNITS ONLY

3

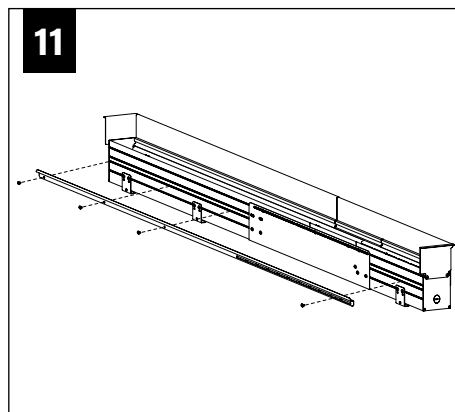
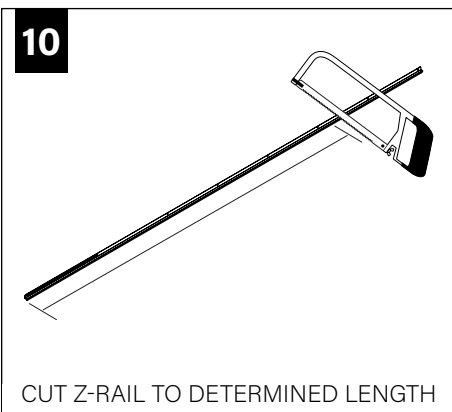
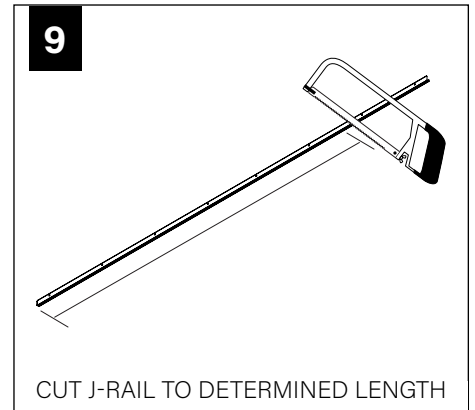
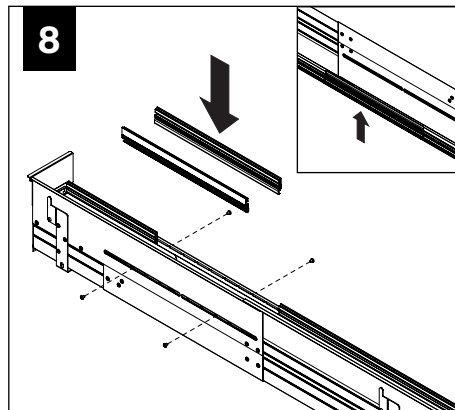
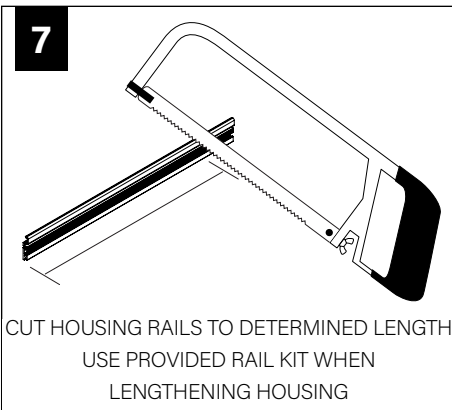
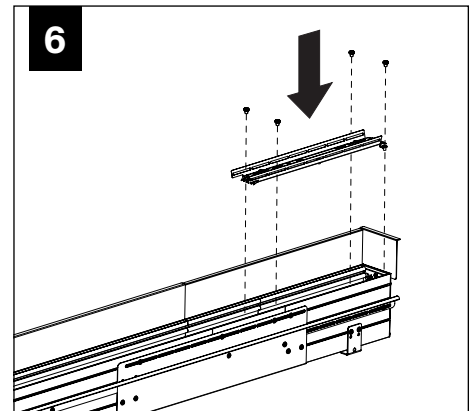
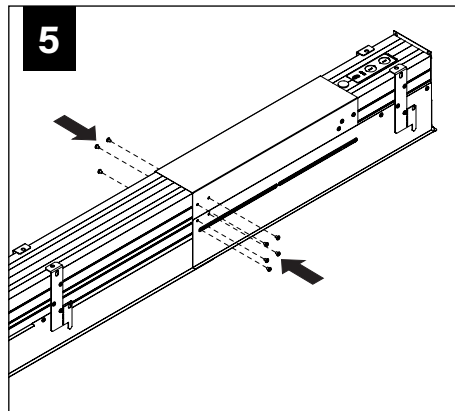
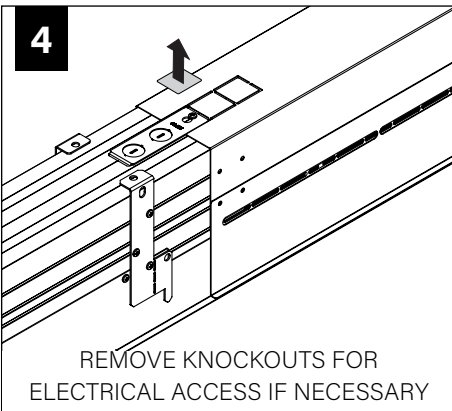
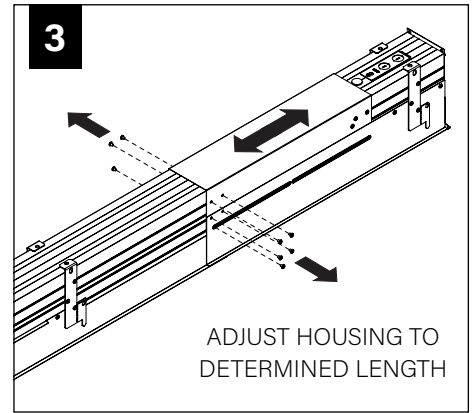
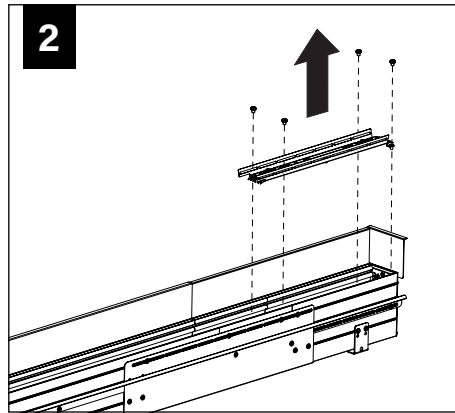
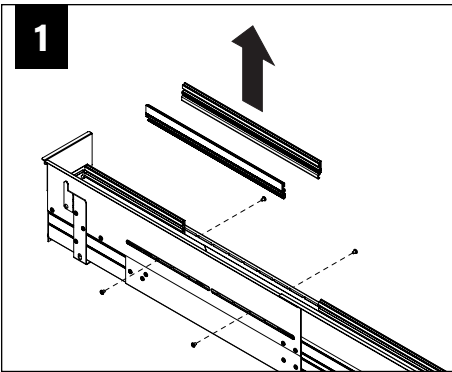


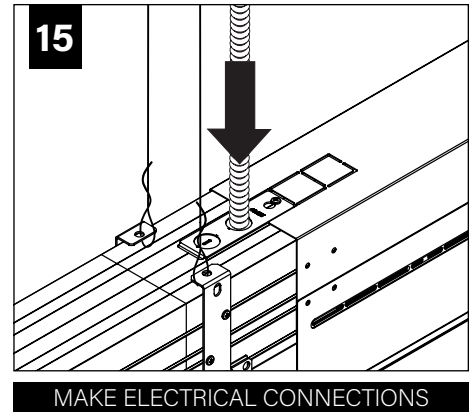
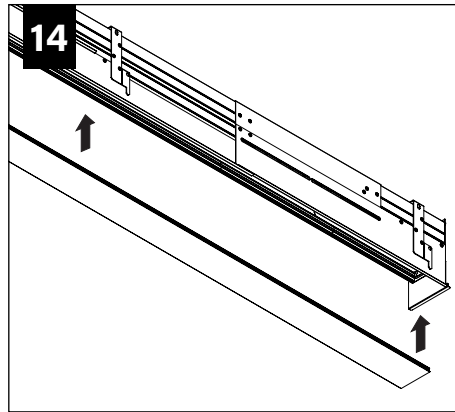
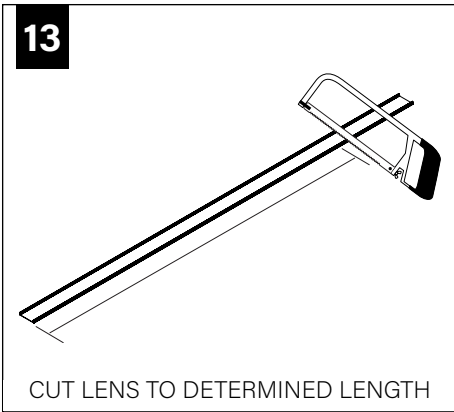
START, INTERMEDIATE, & END UNITS ONLY



ADJUSTABLE HOUSING

IF HOUSING LENGTH IS CORRECT SKIP TO STEP 9





SLIDING SLEEVES



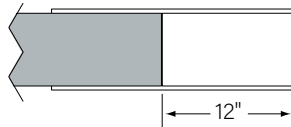
MAX LENGTH 12" PER SLEEVE



SLIDING SLEEVE DOES NOT INTEGRATE WITH ADJUSTABLE HOUSING

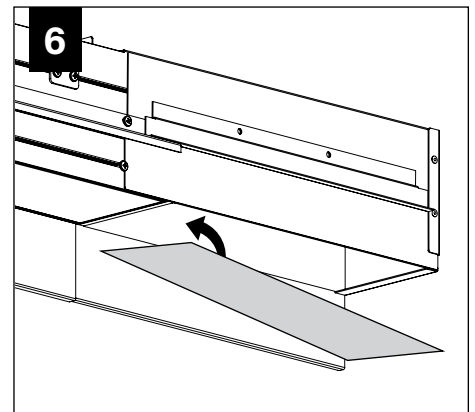
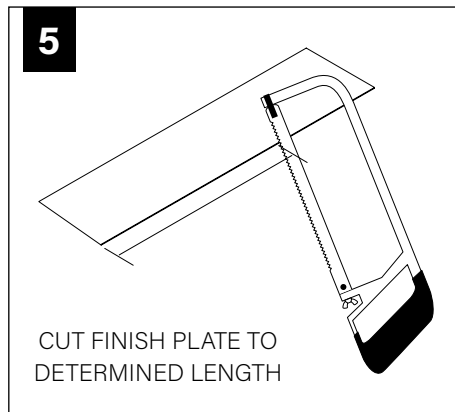
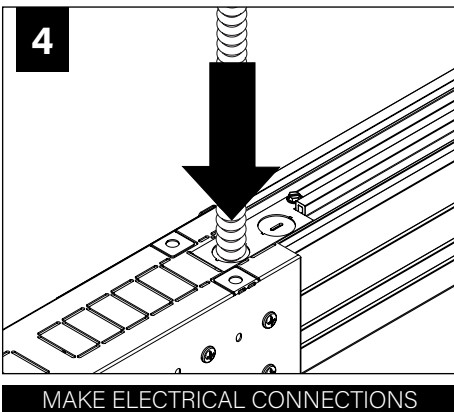
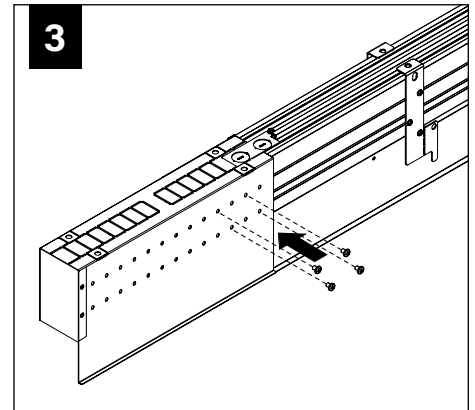
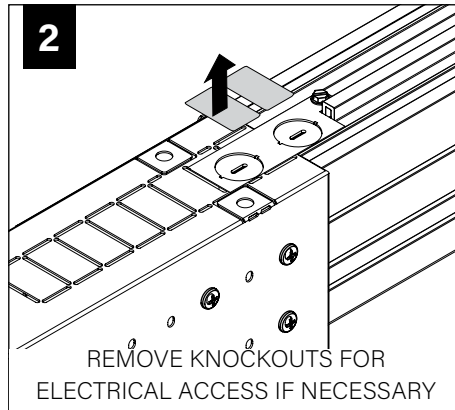
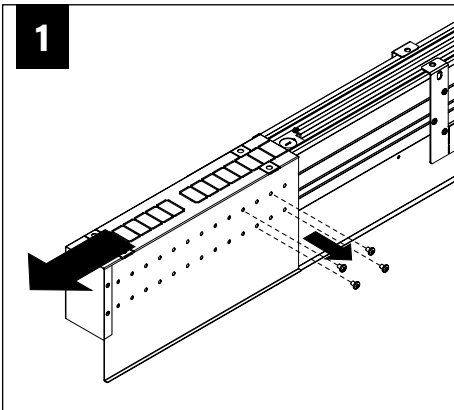
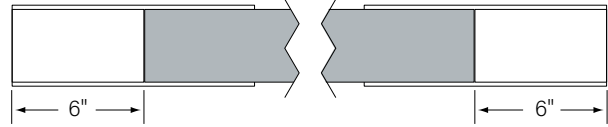
SINGLE SLIDING SLEEVE (SS):

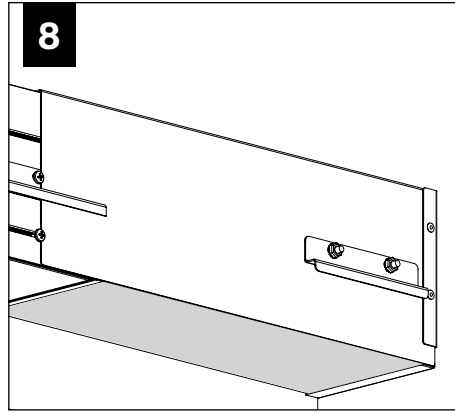
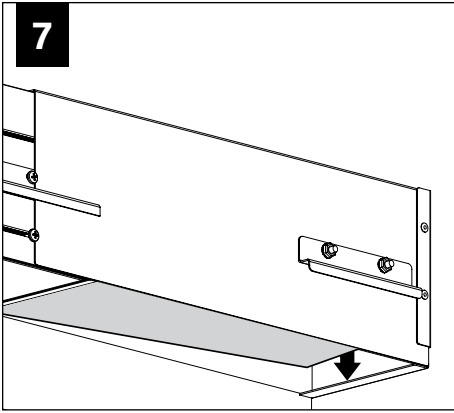
EXAMPLE:
21' RUN LENGTH - 20' HOUSING = 12" SLIDING SLEEVE



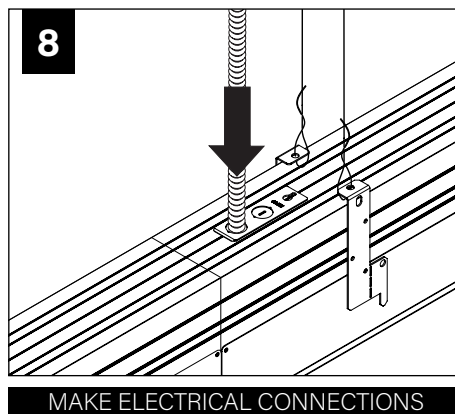
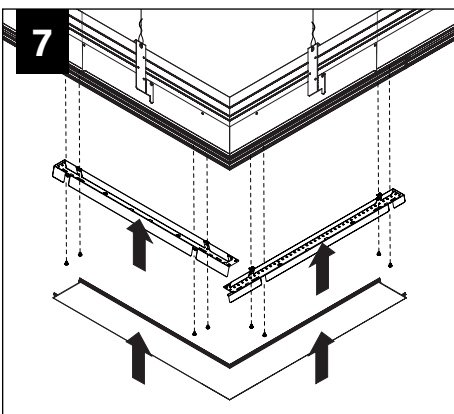
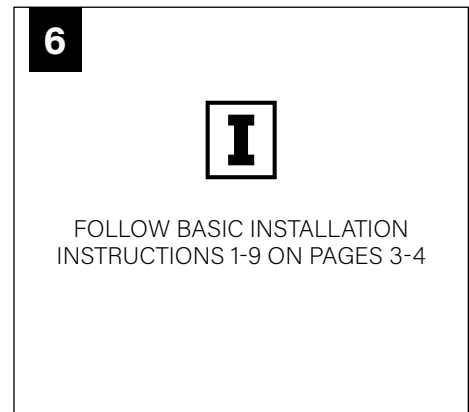
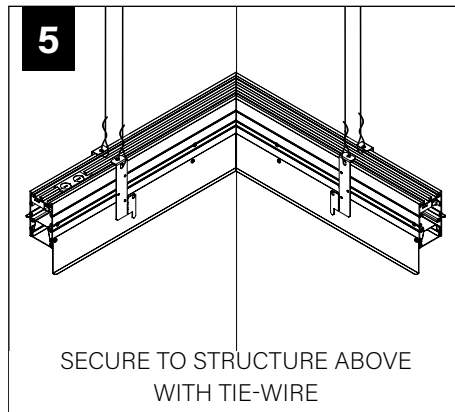
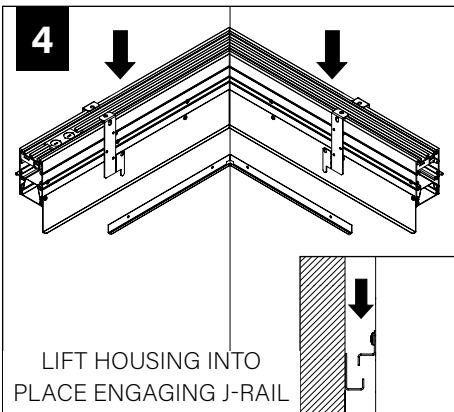
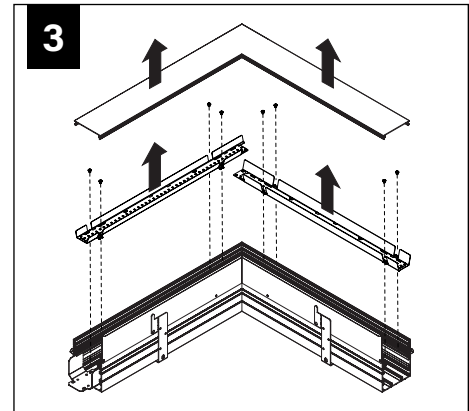
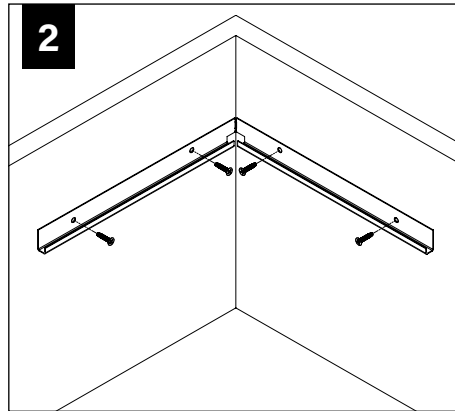
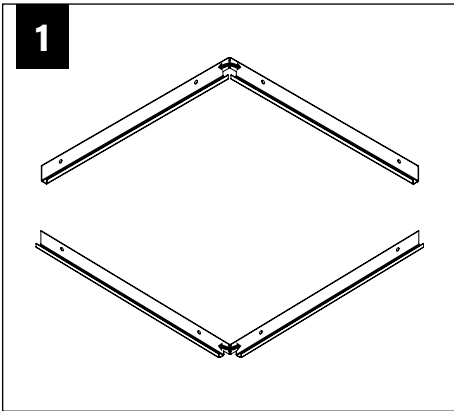
SLIDING SLEEVE PAIR (SSB):

EXAMPLE:
(21' RUN LENGTH - 20' HOUSING) / 2 = 6" SLIDING SLEEVE ON EACH END

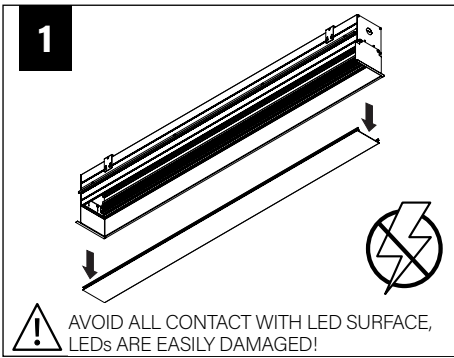




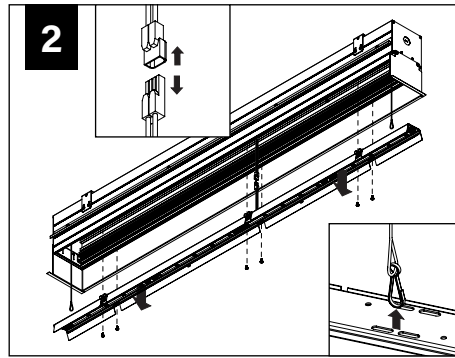
CORNERS



DRIVER SERVICE



START, INTERMEDIATE, & END UNITS ONLY

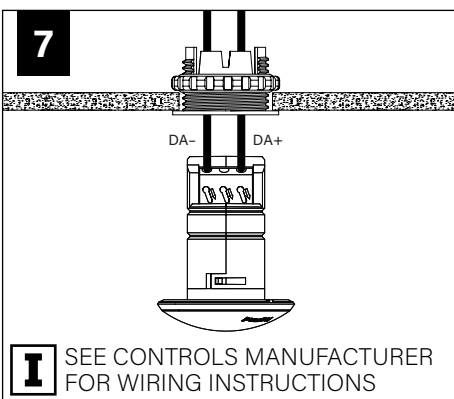
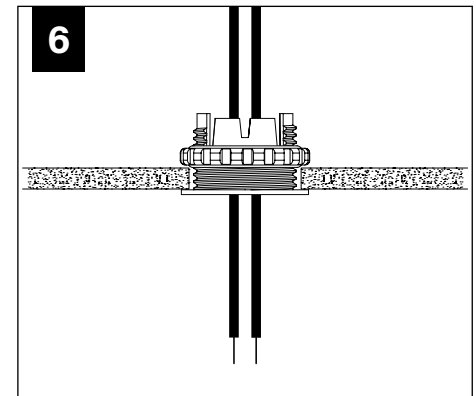
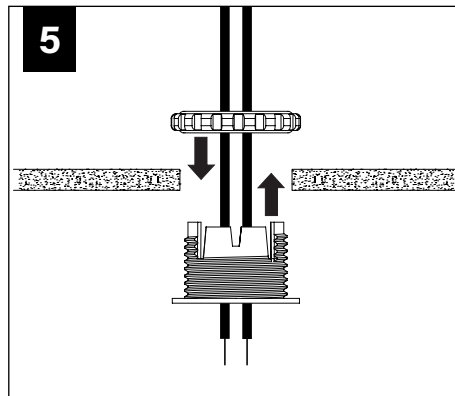
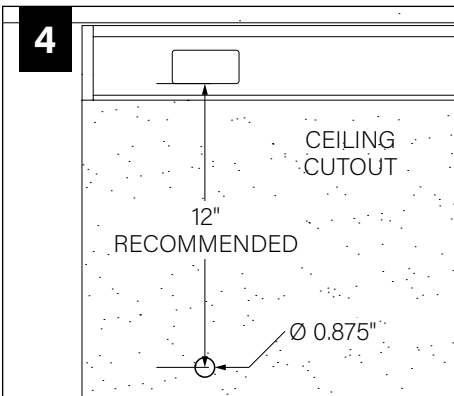
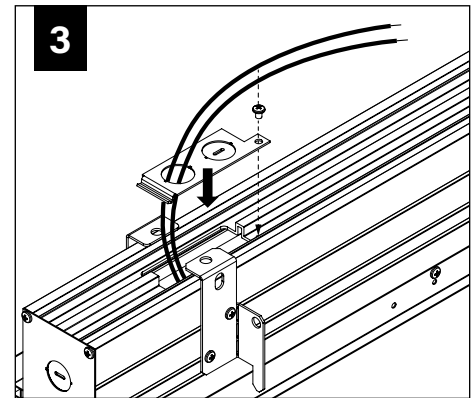
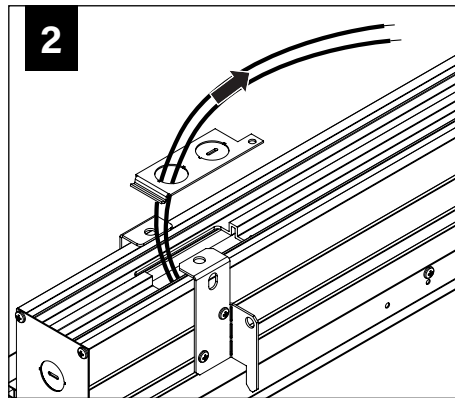
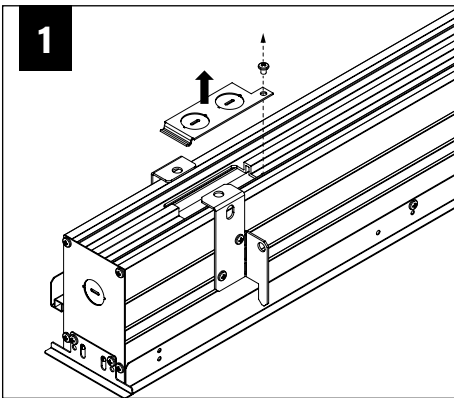


START, INTERMEDIATE, & END UNITS ONLY

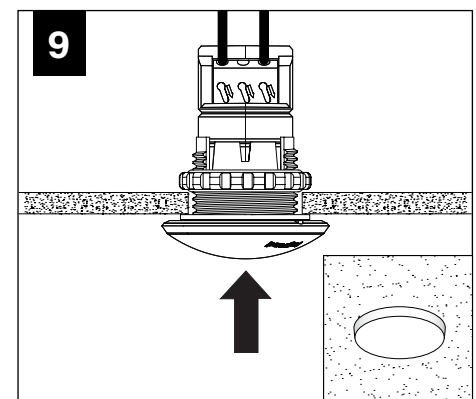
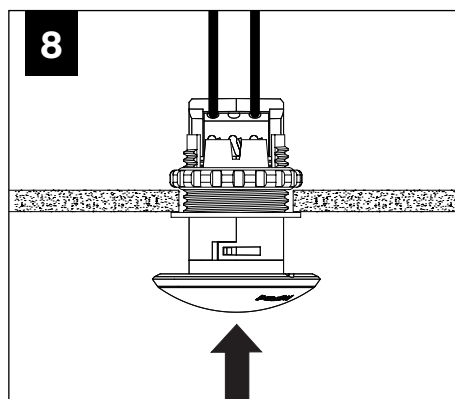


GRID ONLY

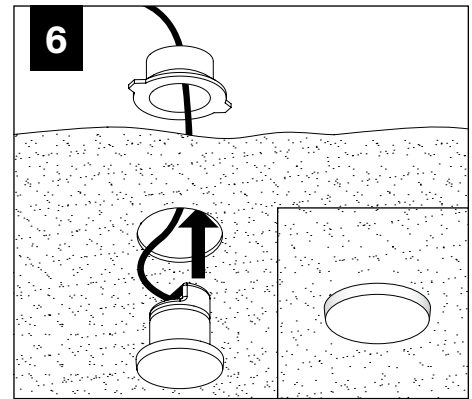
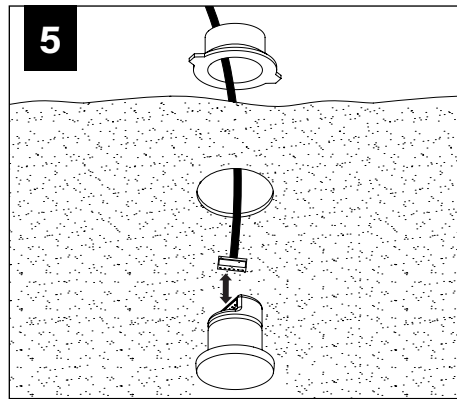
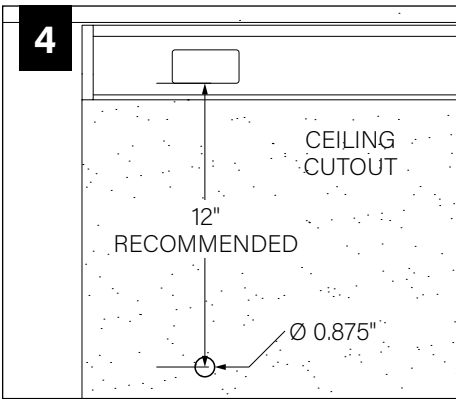
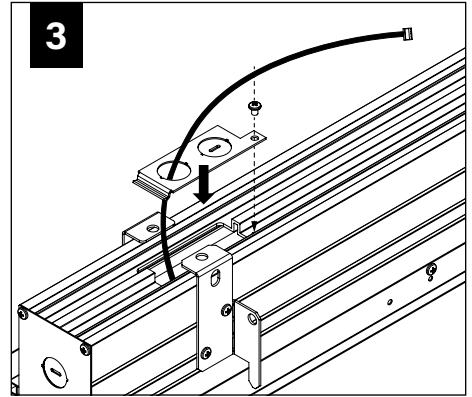
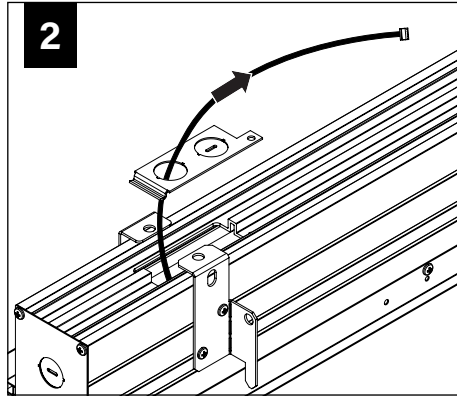
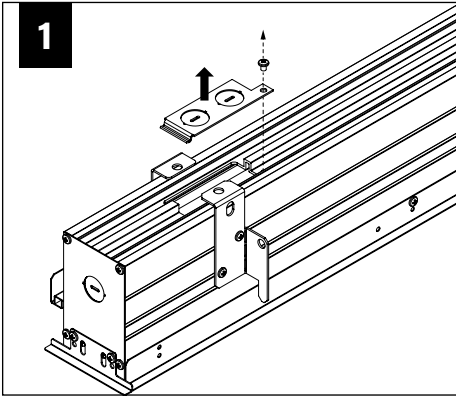
WATTSTOPPER



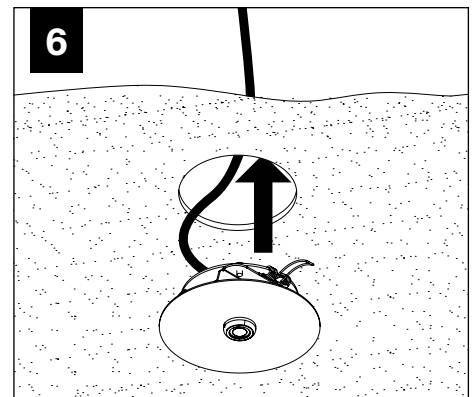
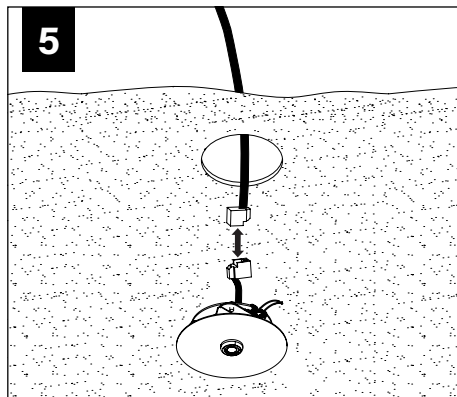
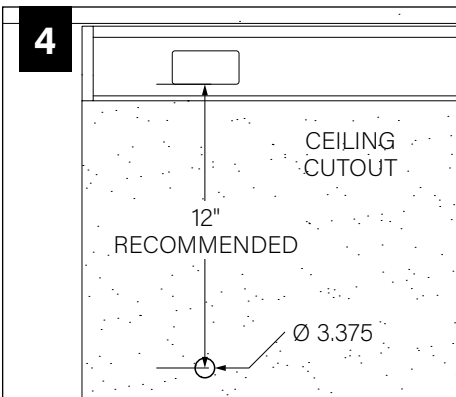
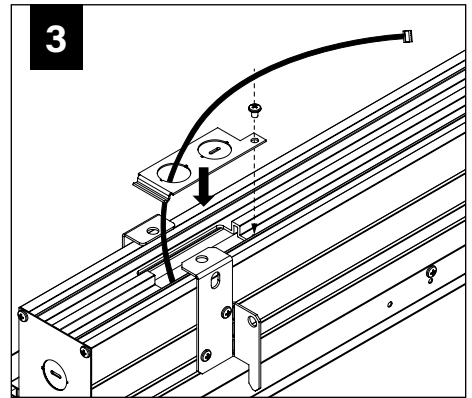
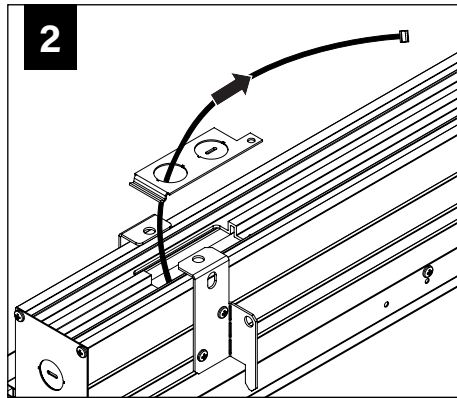
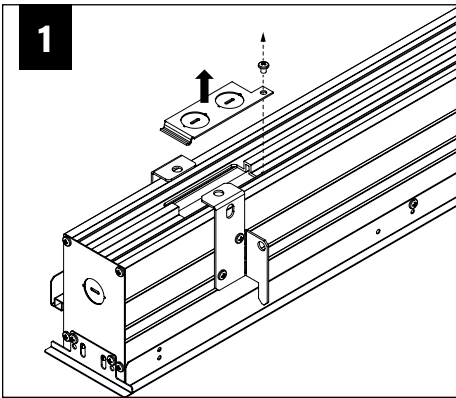
I SEE CONTROLS MANUFACTURER FOR WIRING INSTRUCTIONS



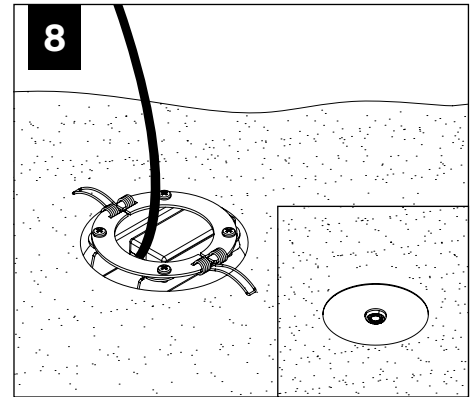
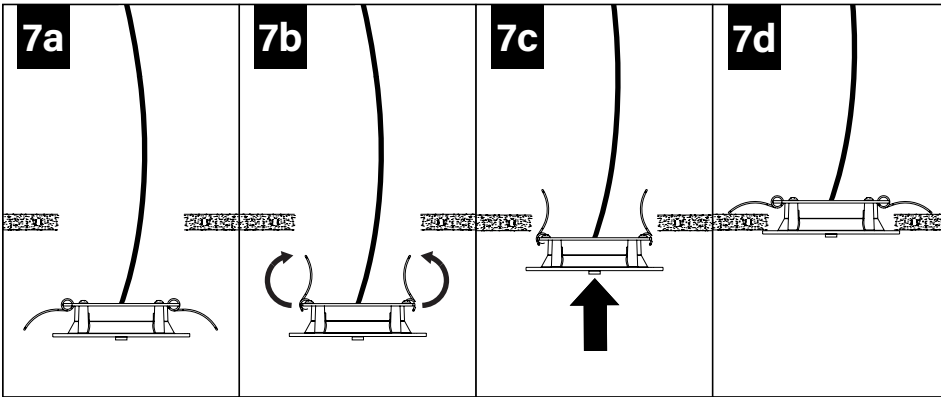
ENLIGHTED



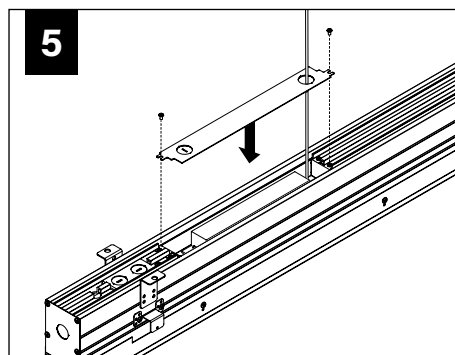
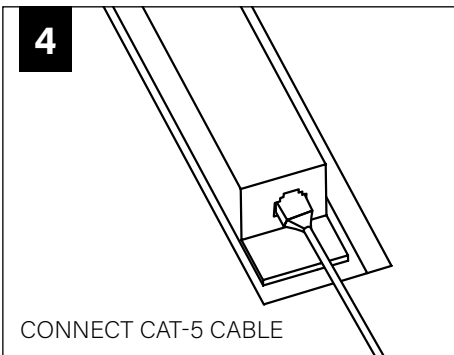
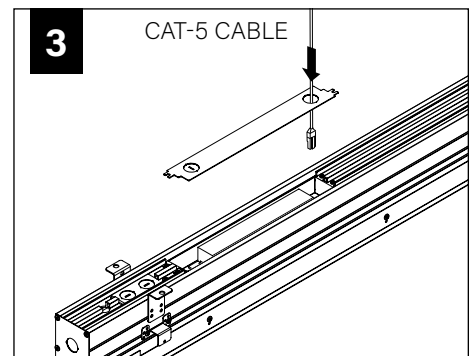
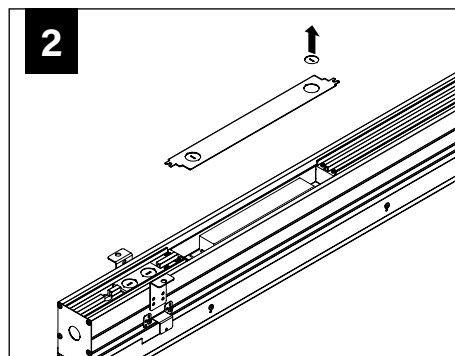
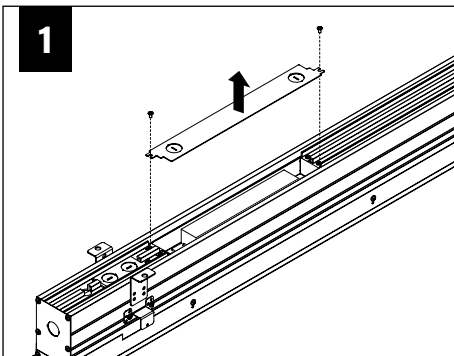
WAVELINX



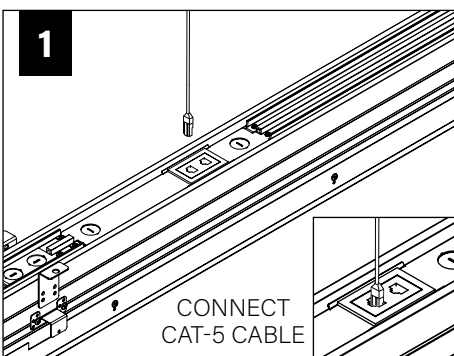
WAVELINX



ACUITY nLIGHT



WATTSTOPPER



HUBBELL NX

