

Seem[®] 2 Wall To Ceiling Corners

FSM2L-CXF



FOCAL POINT[®]

BEFORE YOU BEGIN

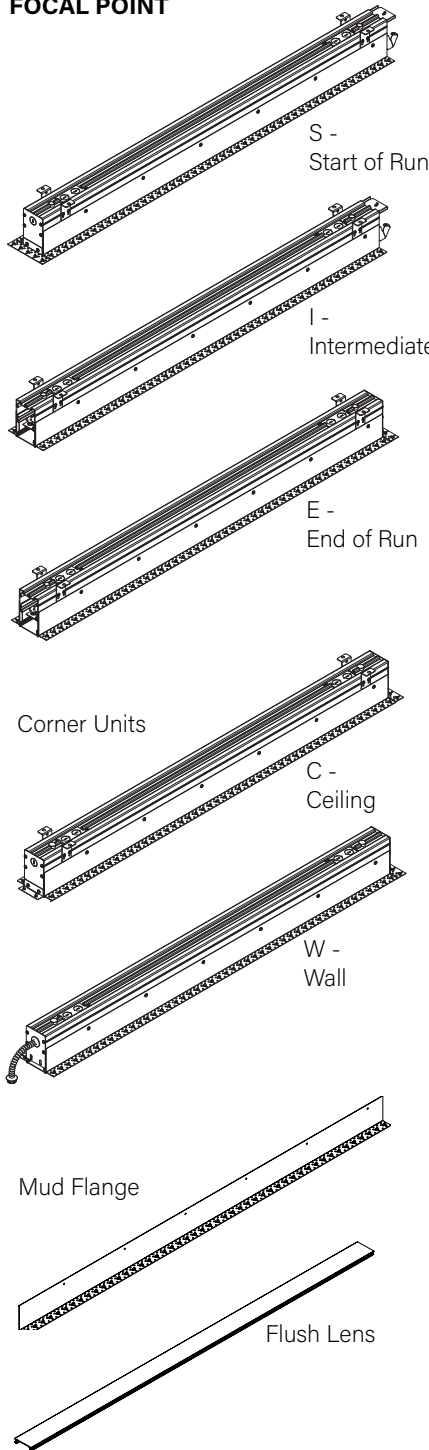
- Luminaires must be installed by a qualified electrician (check with local and national codes for proper installation).
- To prevent electrical shock, disconnect electrical supply before installation or servicing.
- Contractor is responsible for adequately reinforcing walls and/or ceilings to support fixture weight.
- Focal Point, LLC accepts no responsibility for inadequately reinforced walls and/or ceilings.
- The information contained in this drawing is the sole property of Focal Point, LLC. Any reproduction in part or whole without the written permission of Focal Point, LLC is prohibited.

INSTRUCTION KEY

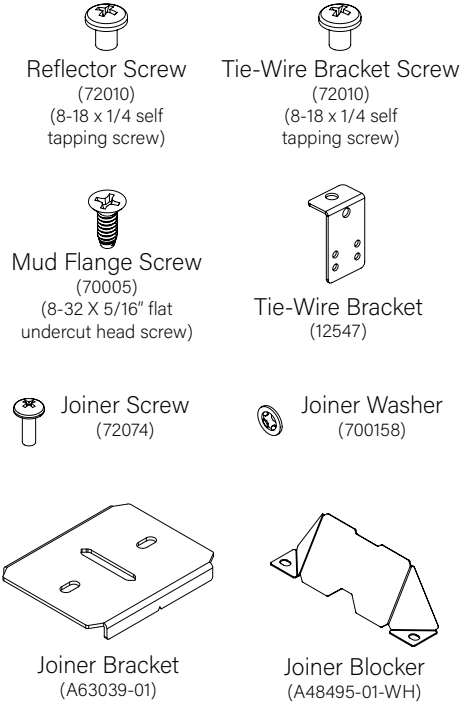
- ATTENTION**
- SEE ADDITIONAL INSTRUCTIONS**
- POWER OFF**
- POWER ON**

COMPONENT KEY

FOCAL POINT

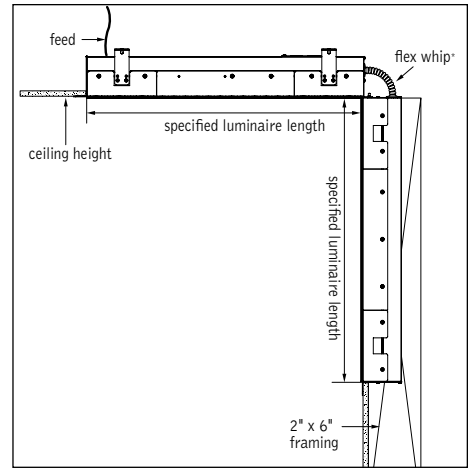
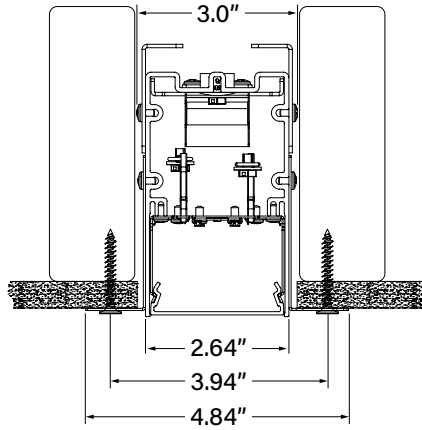


PARTS SHIPPED INSTALLED

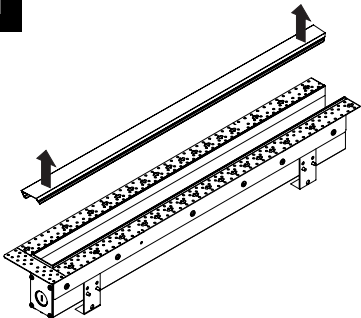




**2"X6" FRAMING
REQUIRED ON BOTH SIDES
OF HOUSING**

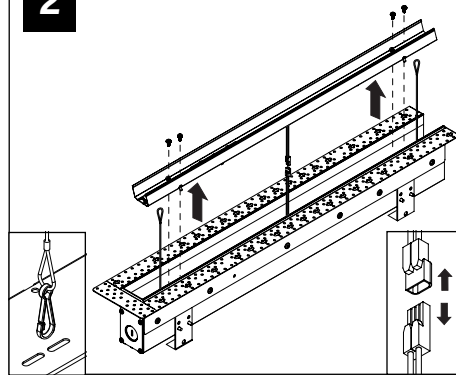


1 INTERMEDIATE & END OF RUN ONLY



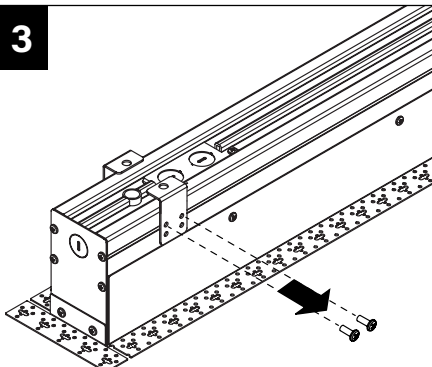
! AVOID ALL CONTACT WITH LED SURFACE,
LEDS ARE EASILY DAMAGED!

2 INTERMEDIATE & END OF RUN ONLY



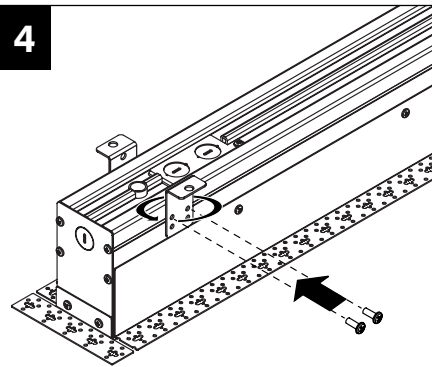
CEILING UNITS ONLY

3



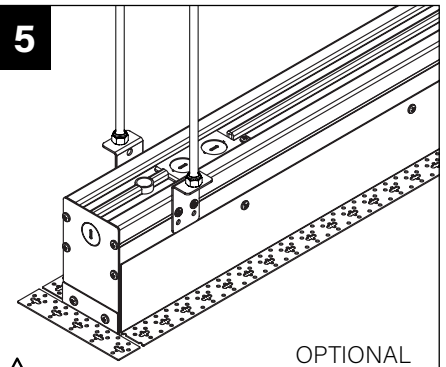
OPTIONAL

4



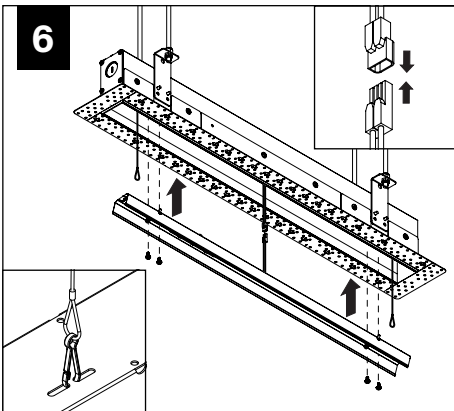
OPTIONAL

5

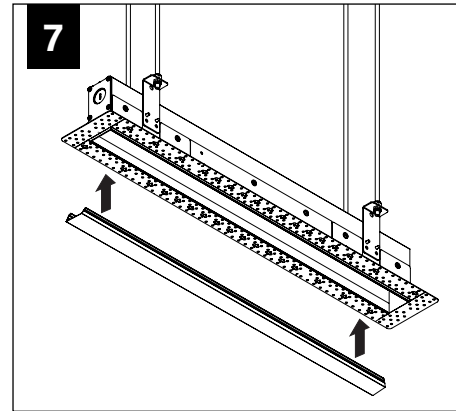


! OPTIONAL
SECURE TO STRUCTURE ABOVE

6



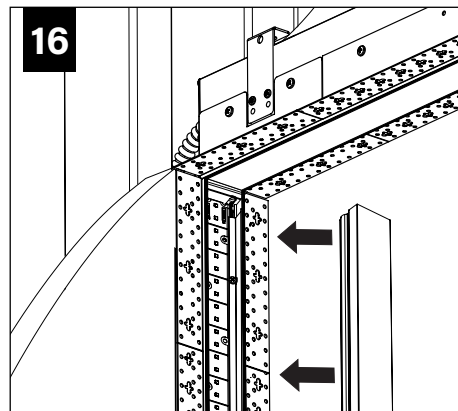
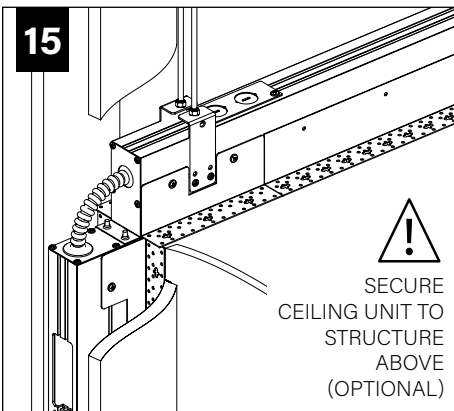
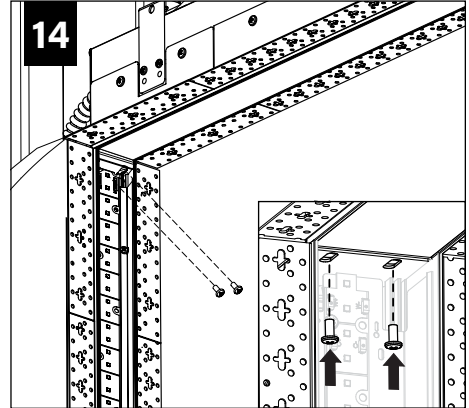
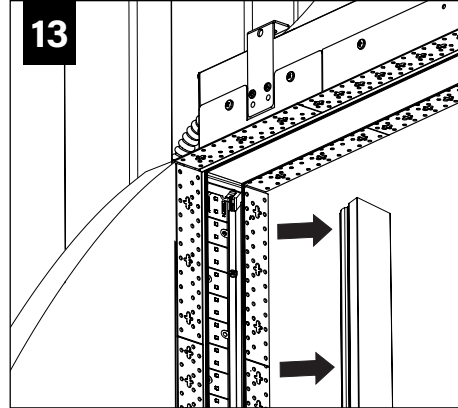
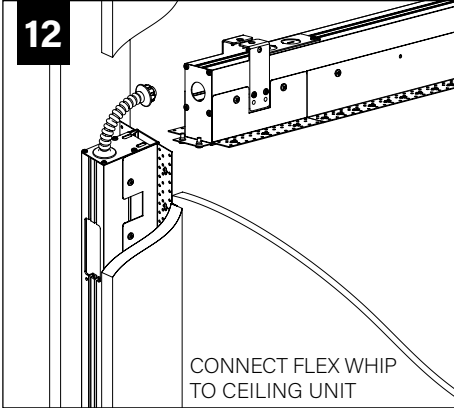
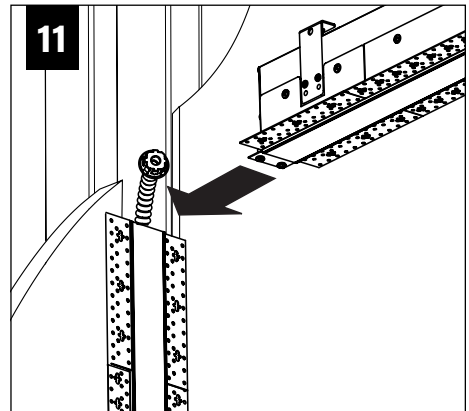
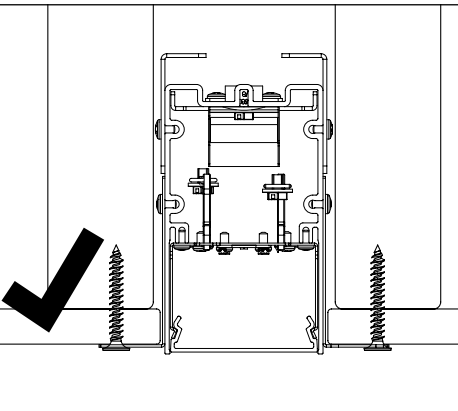
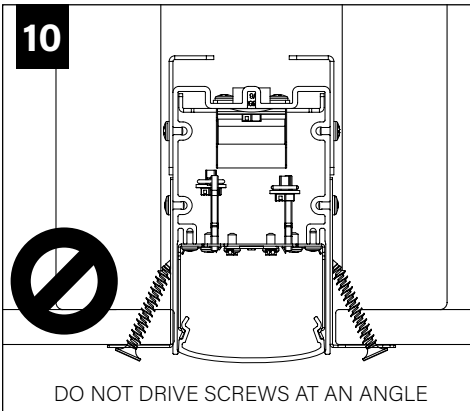
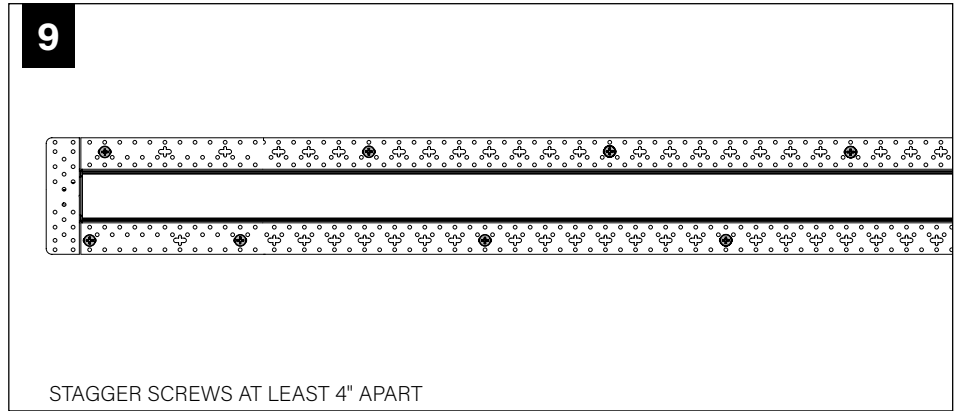
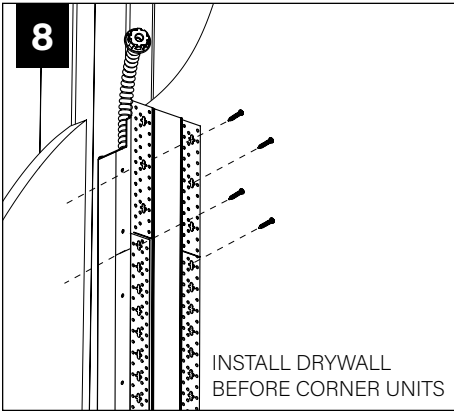
7



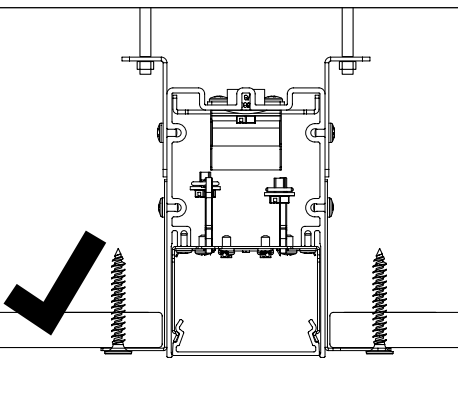
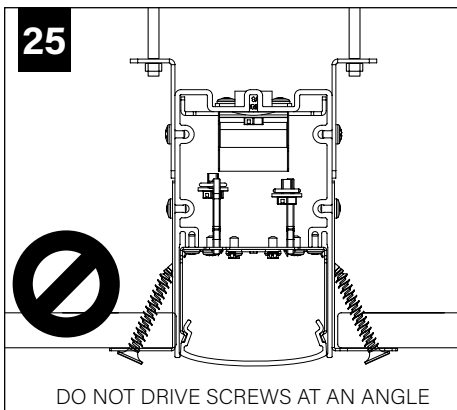
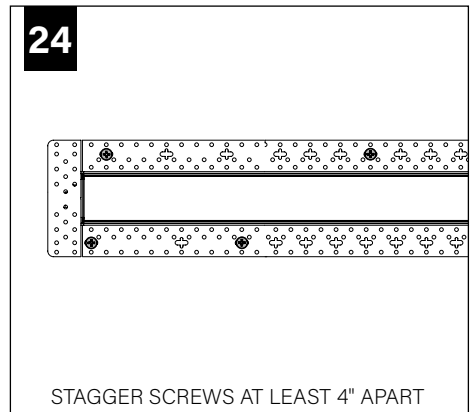
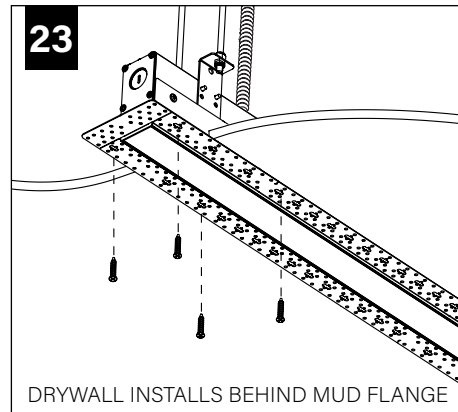
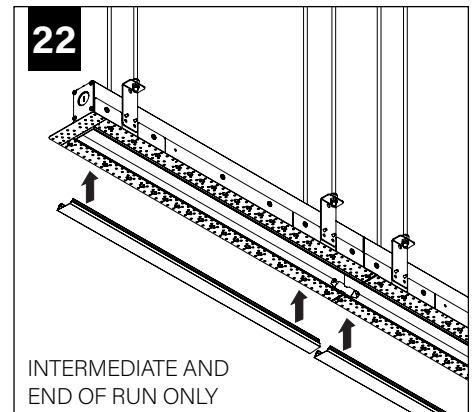
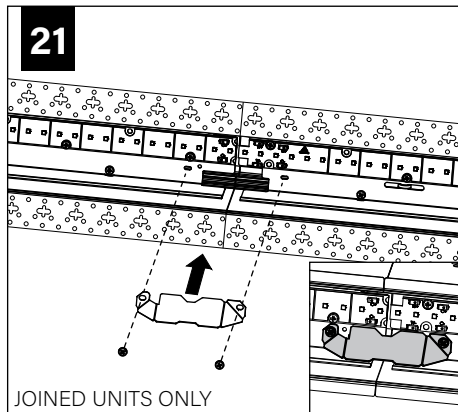
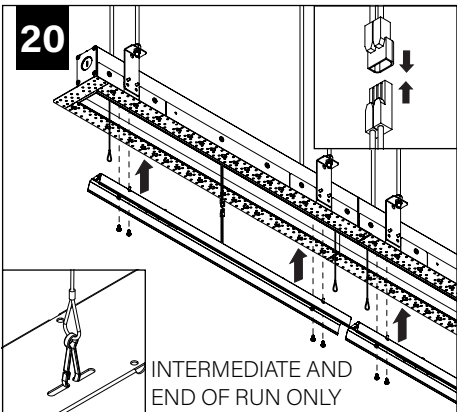
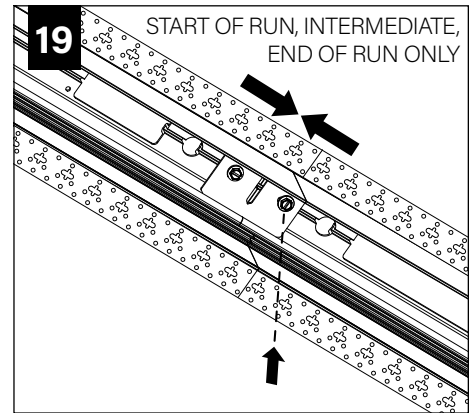
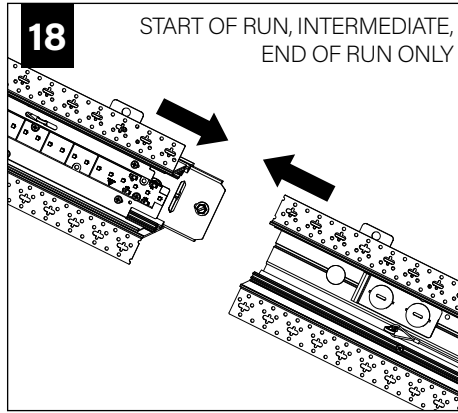
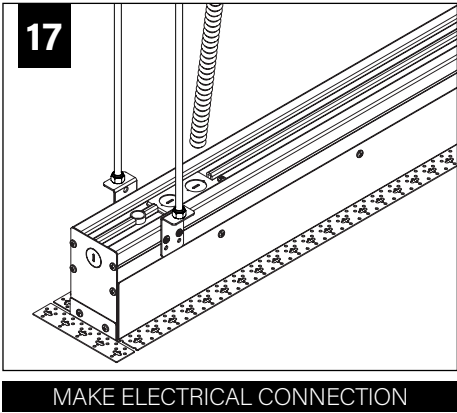
!

**LENS MUST BE INSTALLED
PRIOR TO DRYWALL
INSTALLATION**

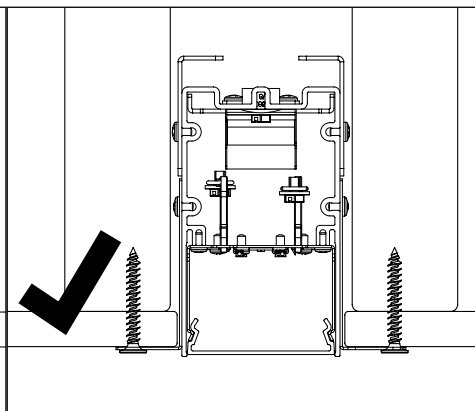
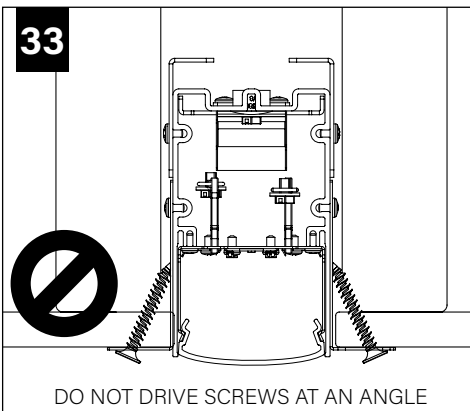
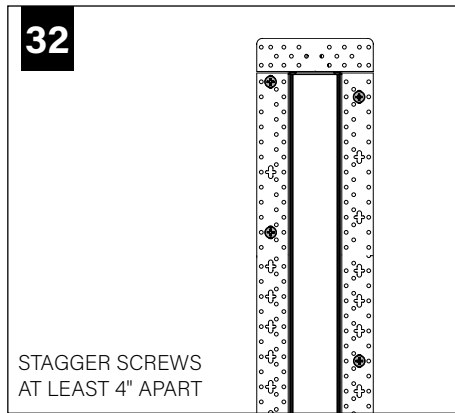
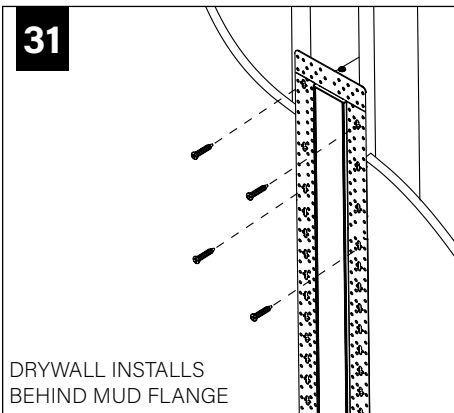
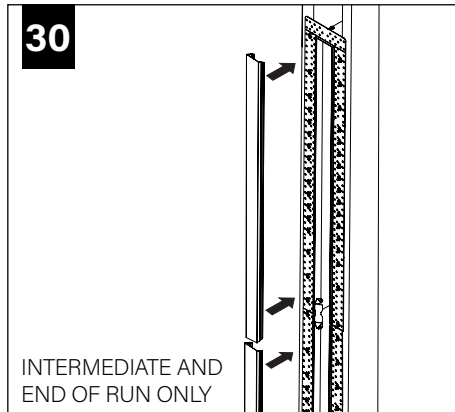
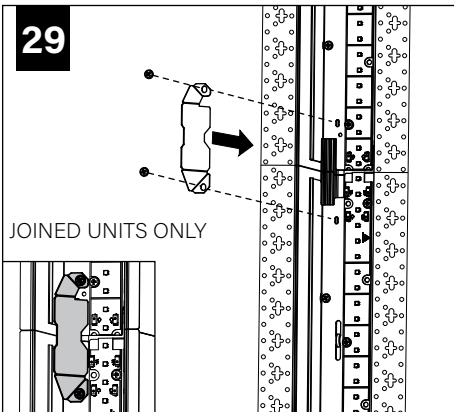
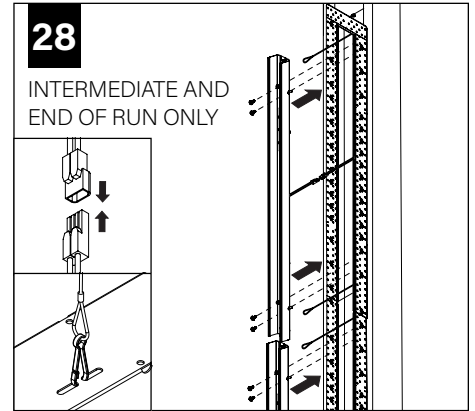
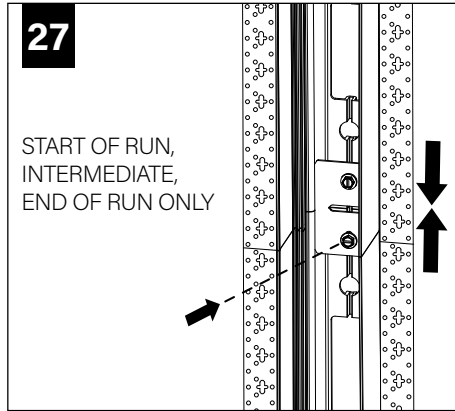
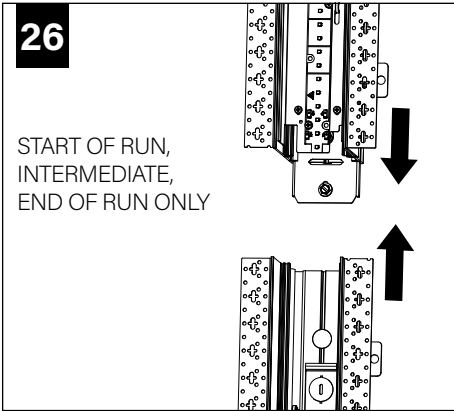
CORNER UNITS (C&W) INSTALLATION

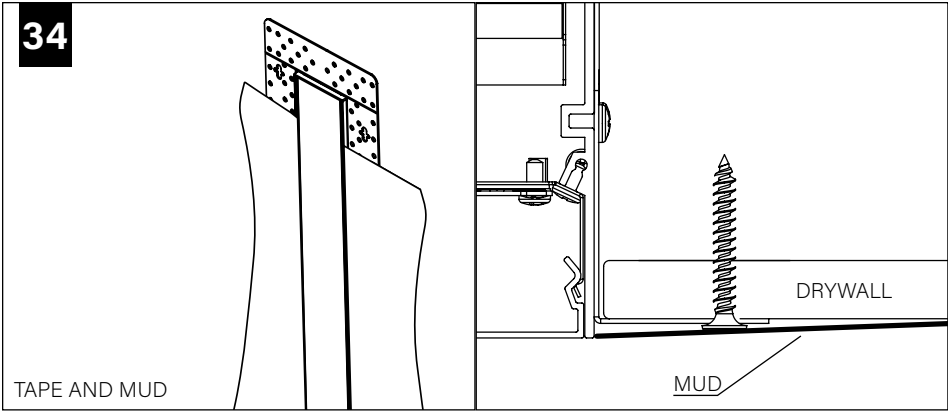


CONTINUE INSTALLING REMAINING CEILING UNITS



INSTALL REMAINING WALL UNITS





DRIVER SERVICE

