

Seem® 2 LED

Suspended | FSM2LS



FOCAL POINT®

BEFORE YOU BEGIN

- Luminaires must be installed by a qualified electrician (check with local and national codes for proper installation).
- To prevent electrical shock, disconnect electrical supply before installation or servicing.
- Contractor is responsible for adequately reinforcing walls and/or ceilings to support fixture weight.
- Focal Point, LLC accepts no responsibility for inadequately reinforced walls and/or ceilings.
- The information contained in this drawing is the sole property of Focal Point, LLC. Any reproduction in part or whole without the written permission of Focal Point, LLC is prohibited.

INSTRUCTION KEY

ATTENTION

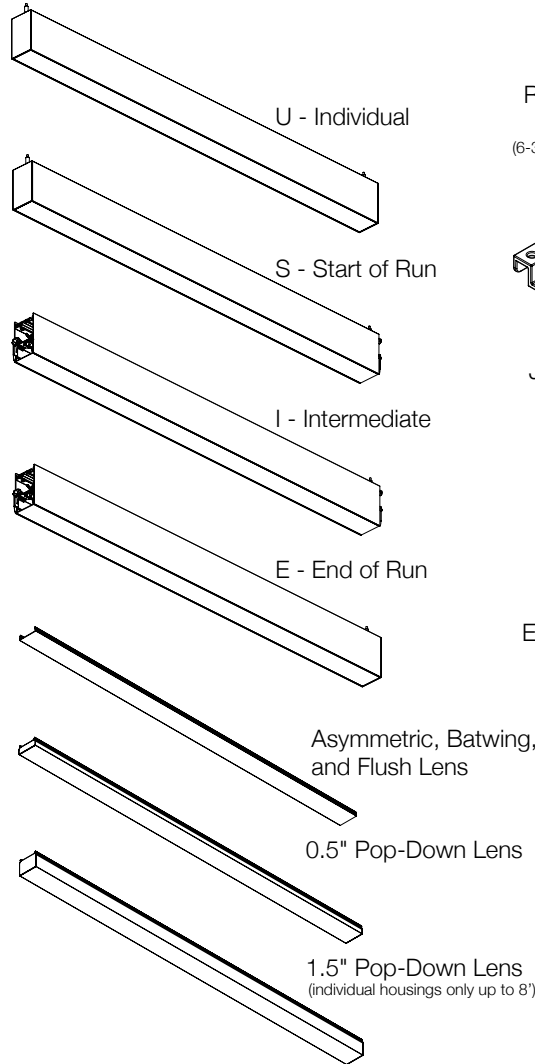
SEE ADDITIONAL INSTRUCTIONS

POWER OFF

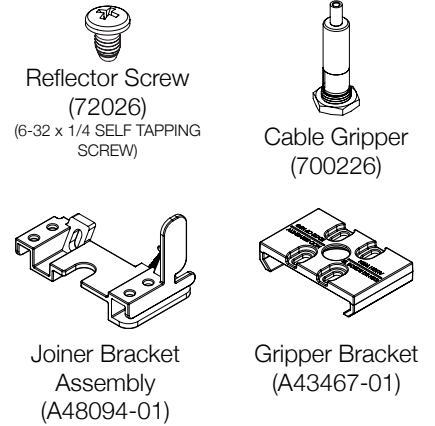
POWER ON

COMPONENT KEY

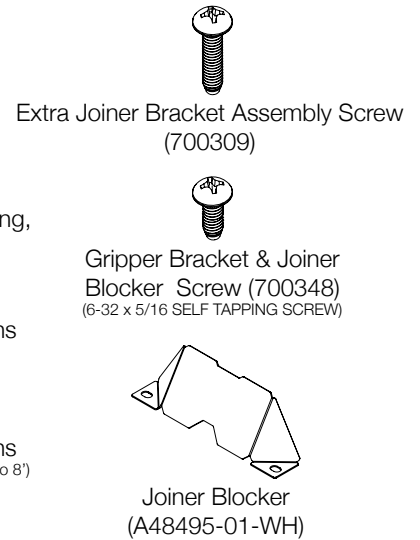
FOCAL POINT



SHIPPED INSTALLED



SHIPPED IN HARDWARE BAG



INDIVIDUAL UNIT INSTALLATION FOLLOW STEPS 1, 2, 9 & 10

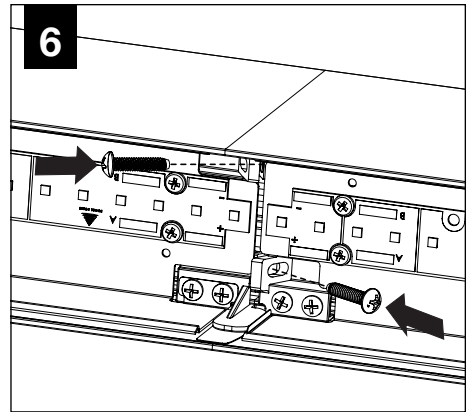
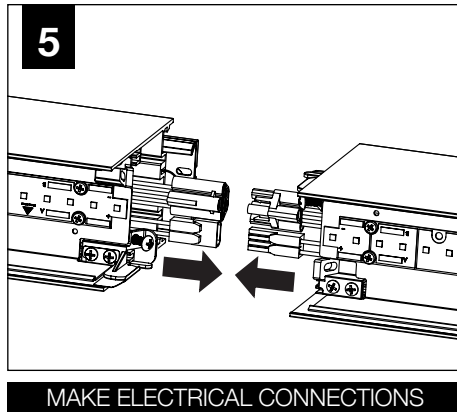
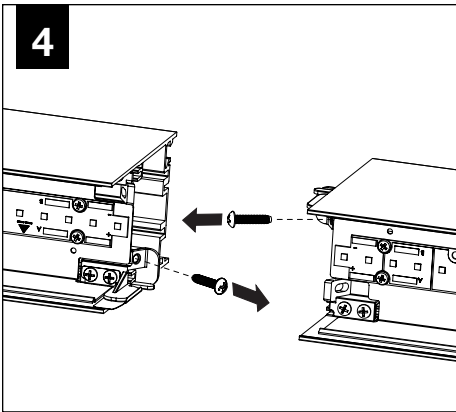
1

FOLLOW FOCAL POINT INSTRUCTIONS FOR UNIVERSAL SUSPENSION SYSTEM ASSEMBLY. SEE IS0166

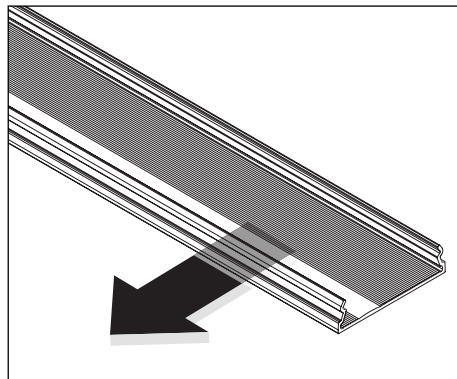
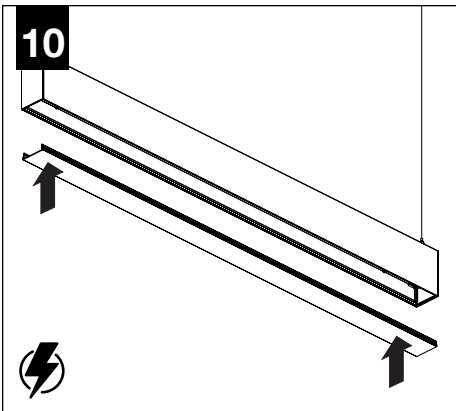
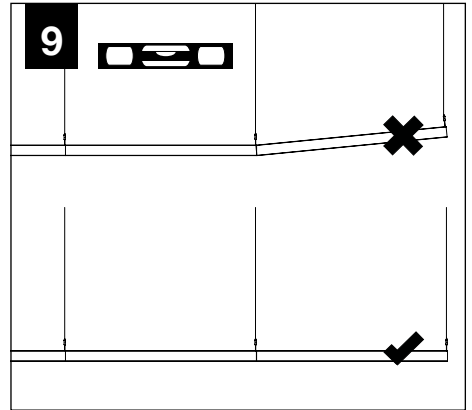
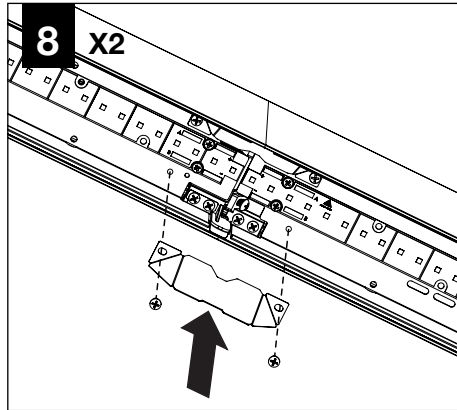
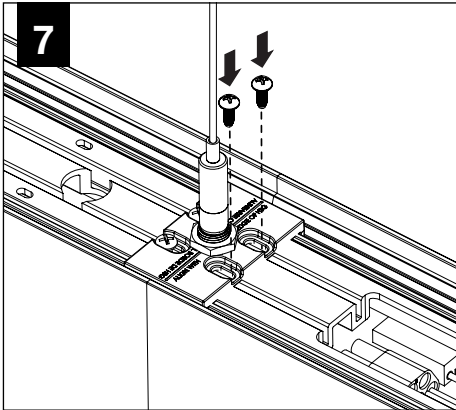
2

3

Avoid all contact with LED surface, LEDs are easily damaged!

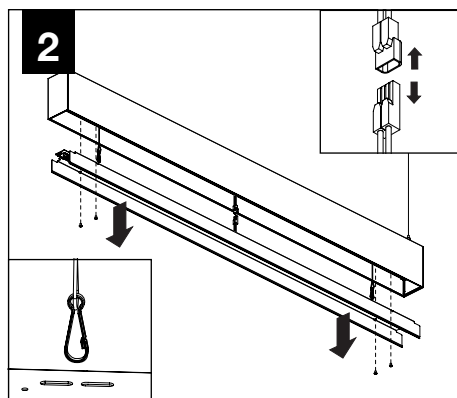
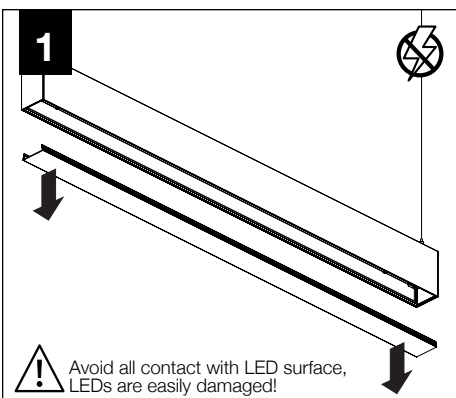


MAKE ELECTRICAL CONNECTIONS



Asymmetric Lens Distribution Direction

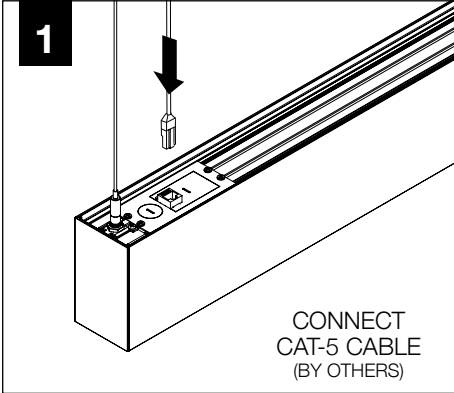
DRIVER SERVICE



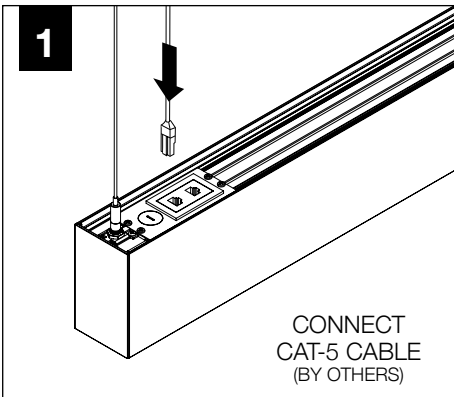
⚠ Avoid all contact with LED surface, LEDs are easily damaged!

CONNECTED SOLUTIONS

ACUITY nLIGHT



WATTSTOPPER (WIRED)



HUBBELL NX

