

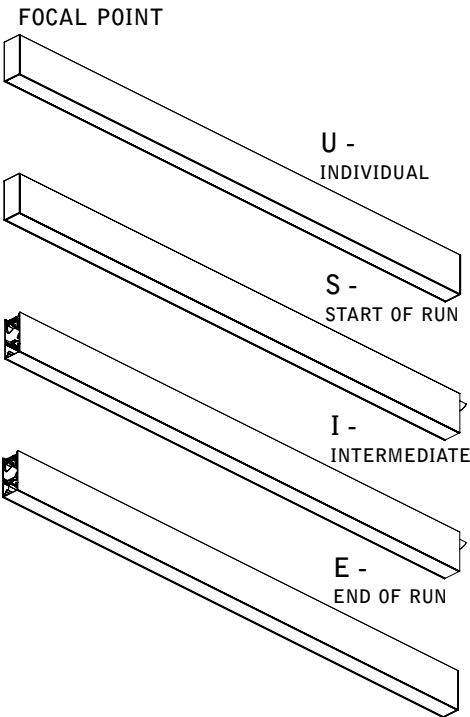
Seem™ 1 surface mount

FSM1-SM



FOCAL POINT™

! CONFIGURATIONS ARE RUN SPECIFIC, PLEASE CONSULT FACTORY DRAWINGS BEFORE BEGINNING INSTALLATION. !



KEY



POWER OFF



ATTENTION

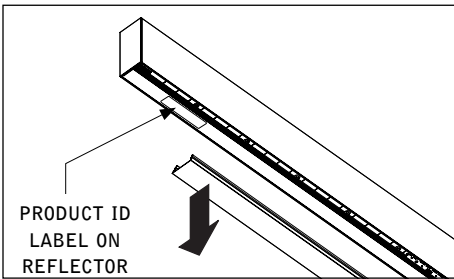


POWER ON



SEE ADDITIONAL INSTRUCTIONS

! INDIVIDUAL INSALLATIONS FOLLOW STEPS 1-3 & 6-9

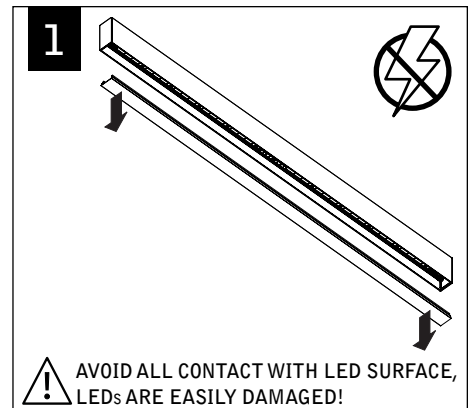
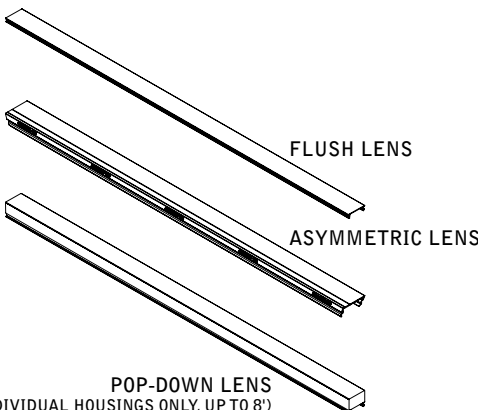
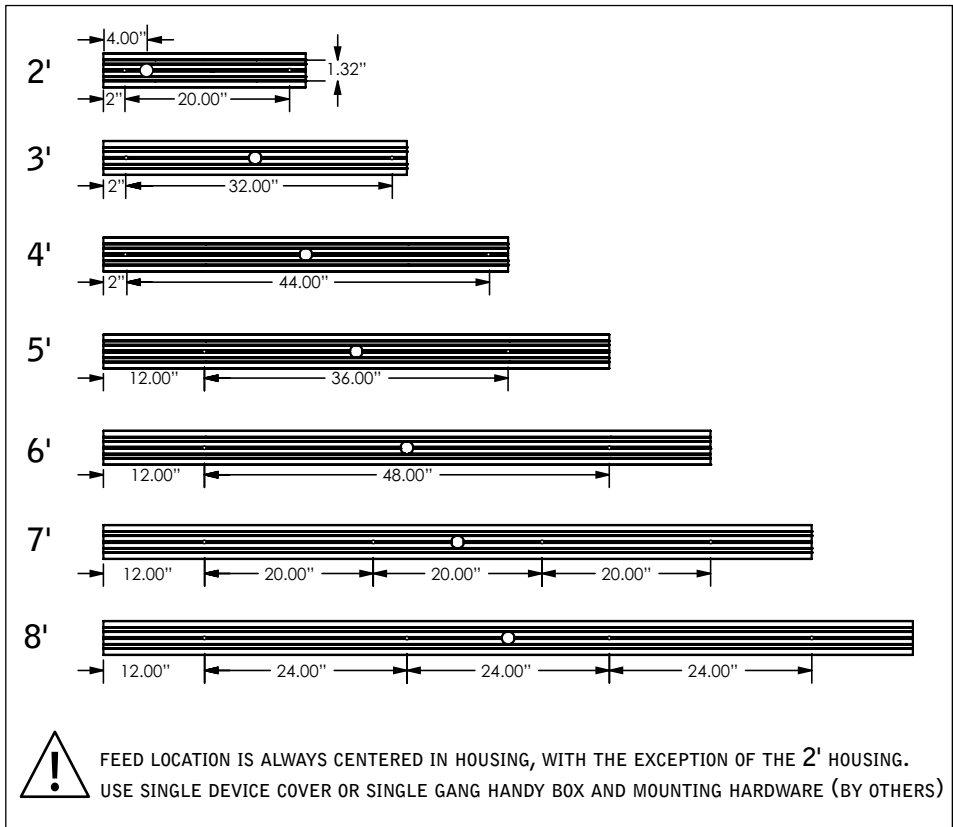


PRODUCT ID LOCATION

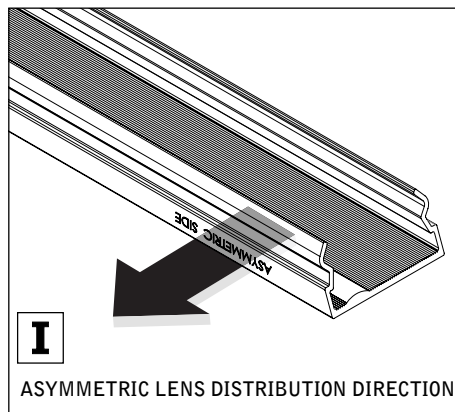
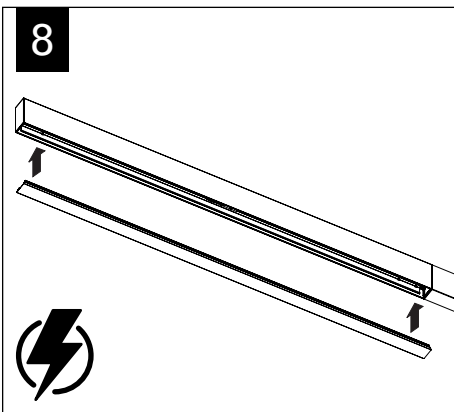
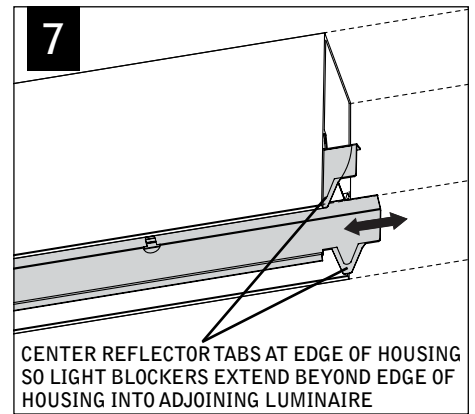
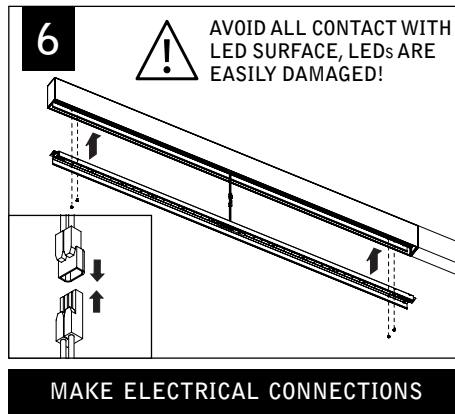
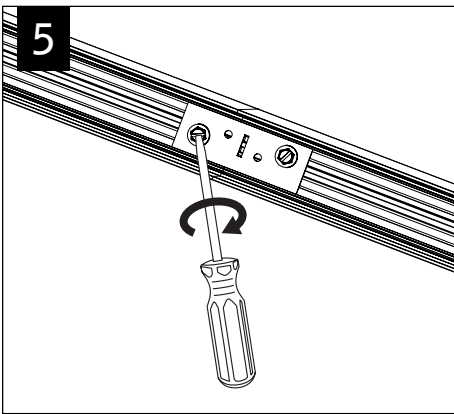
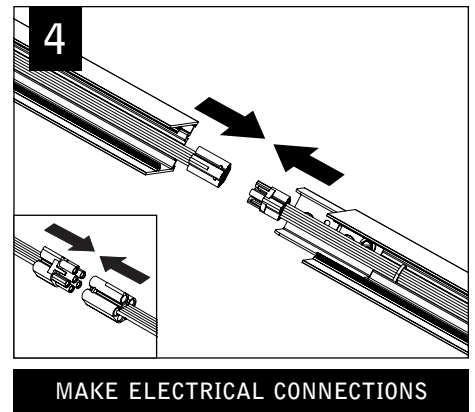
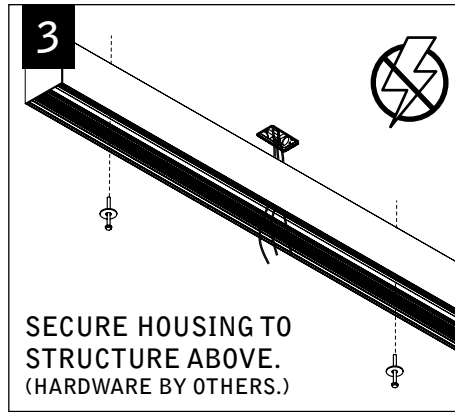
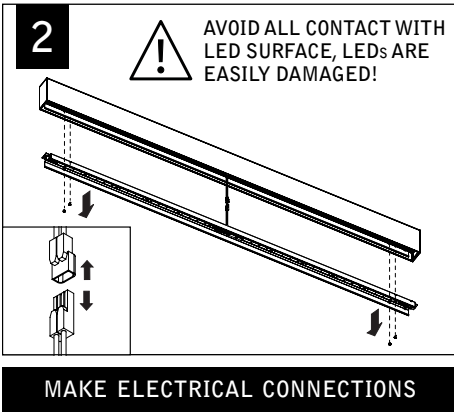
PARTS LISTS

SHIPPED INSTALLED	
	JOINER BRACKET (A37351-01)
	(700192)
SHIPPED IN HARDWARE BAG	
	MOUNTING SCREW (72007)
	(2 PER LUMINAIRE)

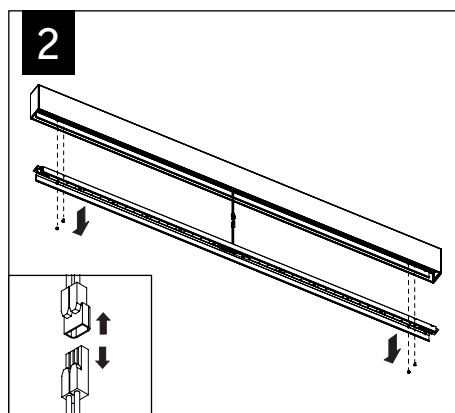
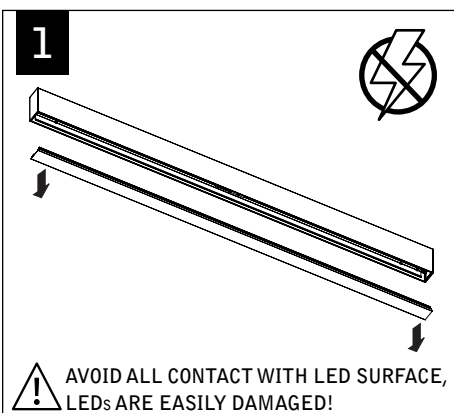
MOUNTING



Luminaires must be installed by a qualified electrician (check with local and national codes for proper installation). To prevent electrical shock, disconnect electrical supply before installation or servicing.



DRIVER SERVICE



Contractor is responsible for adequately reinforcing walls and/or ceilings to support luminaire weight. Focal Point, LLC accepts no responsibility for inadequately reinforced walls and/or ceilings. The information contained in this drawing is the sole property of Focal Point, LLC. Any reproduction in part or whole without the written permission of Focal Point, LLC is prohibited.