

# Seem® 1 LED

FSM1-NF | No Flange



FOCAL POINT®

## BEFORE YOU BEGIN

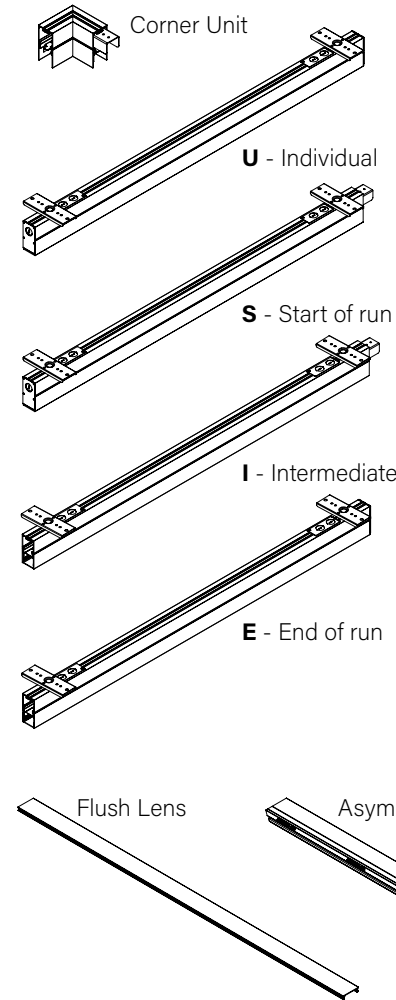
- Luminaires must be installed by a qualified electrician (check with local and national codes for proper installation).
- To prevent electrical shock, disconnect electrical supply before installation or servicing.
- Contractor is responsible for adequately reinforcing walls and/or ceilings to support fixture weight.
- Focal Point, LLC accepts no responsibility for inadequately reinforced walls and/or ceilings.
- The information contained in this drawing is the sole property of Focal Point, LLC. Any reproduction in part or whole without the written permission of Focal Point, LLC is prohibited.

## INSTRUCTION KEY

- ATTENTION**
- SEE ADDITIONAL INSTRUCTIONS**
- POWER OFF**
- POWER ON**

## COMPONENT KEY

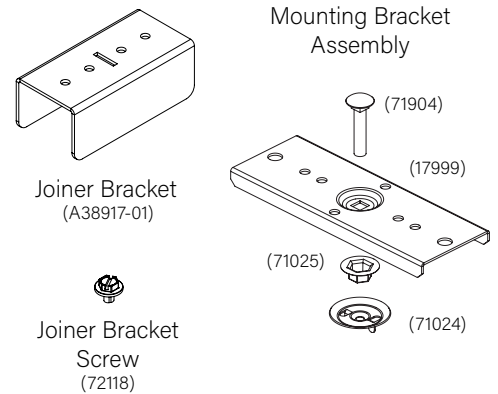
### FOCAL POINT



### INCLUDED HARDWARE



### PARTS SHIPPED INSTALLED



## MOUNTING BRACKET MUST BE INSTALLED PRIOR TO CEILING



**MOUNTING BRACKET MUST BE SECURED TO STRUCTURE ABOVE.**

1/4" - 20 CARRIAGE BOLT MAY BE SUPPLIED BY OTHERS FOR GREATER ADJUSTABILITY.

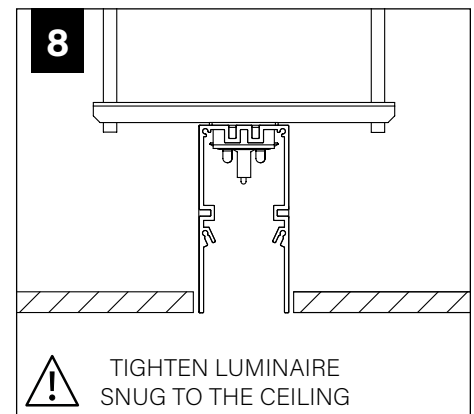
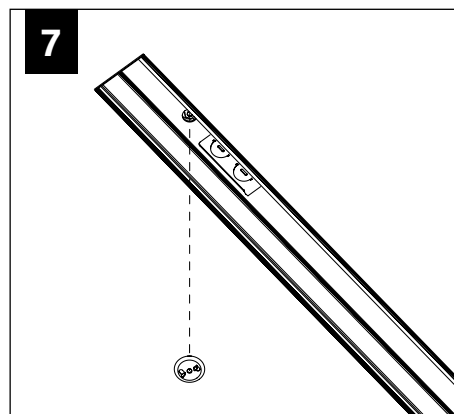
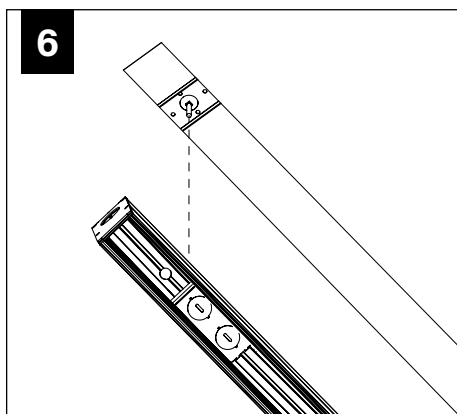
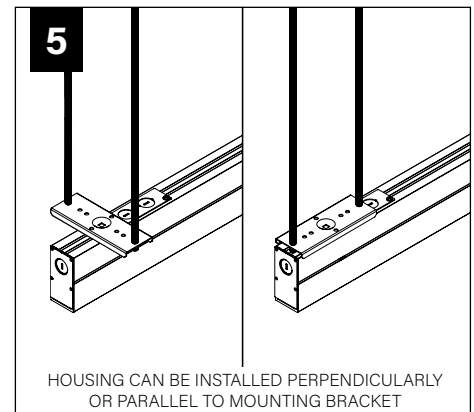
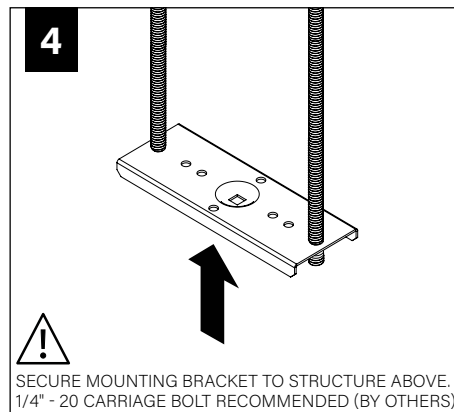
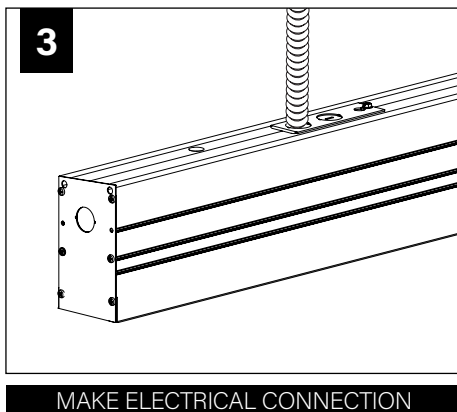
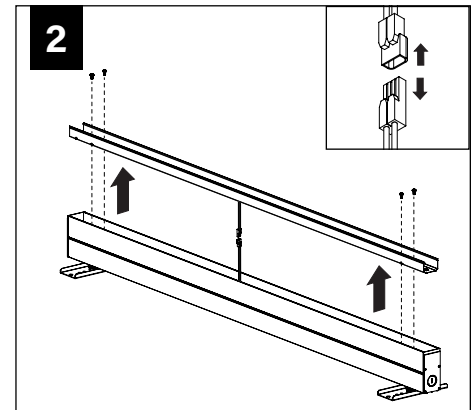
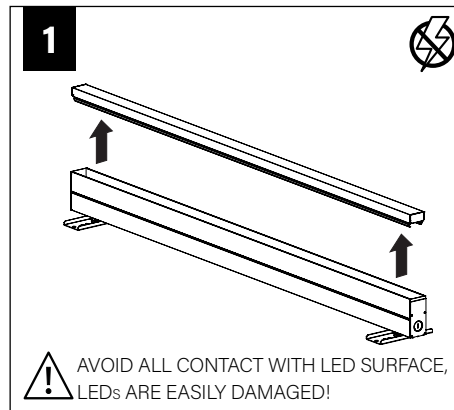
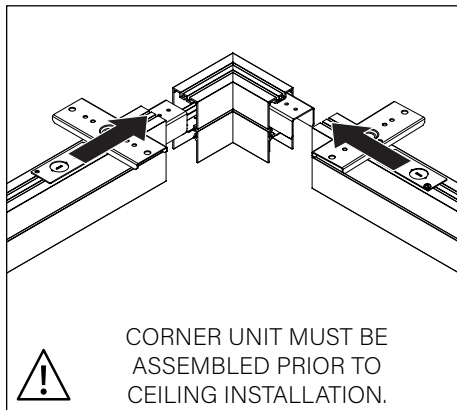
**PRODUCT ID LABEL ON REFLECTOR**

**PRODUCT ID LOCATION**

# MOUNTING LOCATIONS

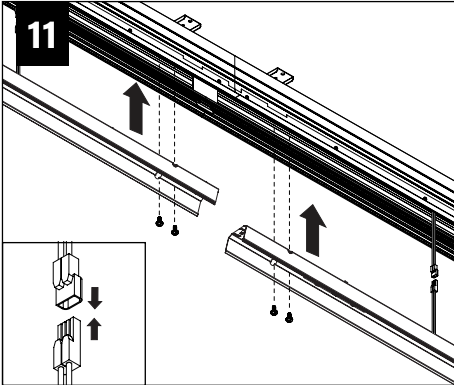
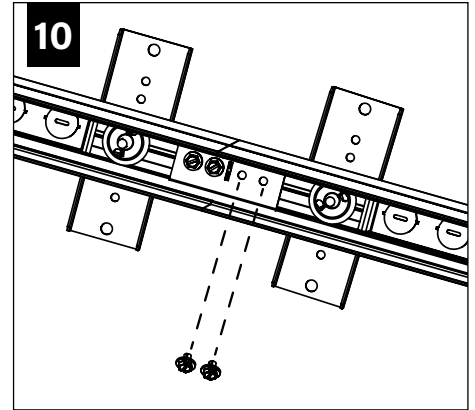
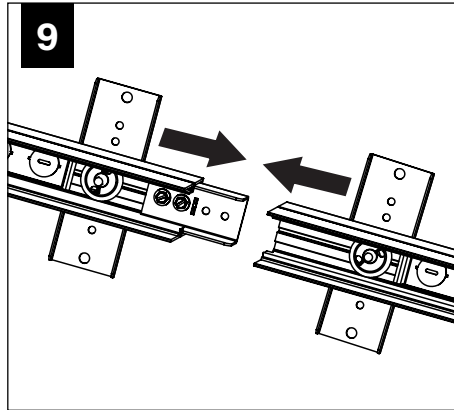
	HOUSING LENGTH	A	A1	A2	B	C
 <p>START OF RUN/INDIVIDUAL</p>	2'	2.9"	0.85"	2.13"	19.16"	18.95"
	3'	2.9"	2.9"	2.9"	29.11"	30.18"
 <p>INTERMEDIATE/END OF RUN</p>	4'	2.9"	2.9"	2.9"	41.11"	42.18"
	5'	2.9"	2.9"	2.9"	53.11"	54.18"
	6'	2.9"	2.9"	2.9"	65.11"	66.18"
	7'	2.9"	2.9"	2.9"	77.11"	78.18"
	8'	2.9"	2.9"	2.9"	89.11"	90.18"

**!** MOUNTING LOCATION CHART IS AN APPROXIMATE GUIDE ONLY.

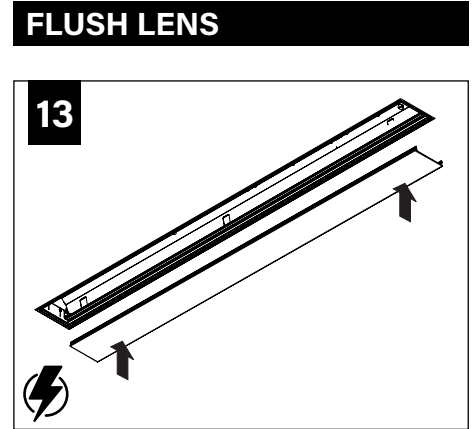
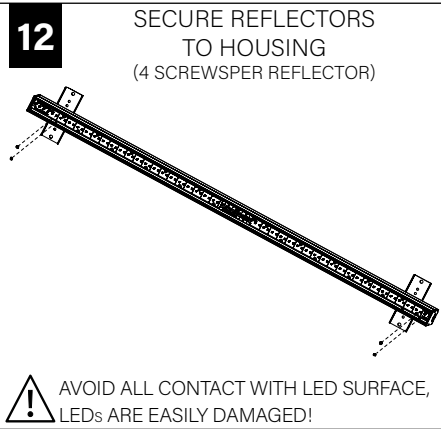


REPEAT STEPS 4-8 UNTIL ALL  
UNITS ARE IN THE CEILING

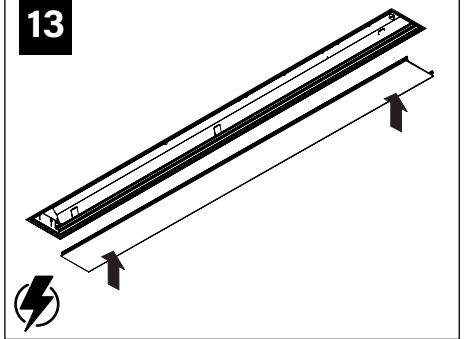
INDIVIDUAL INSTALLATIONS  
SKIP TO STEP 11



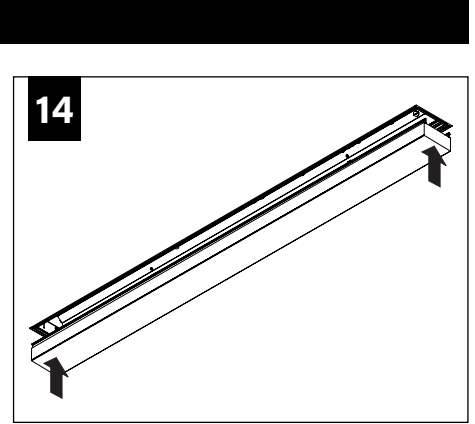
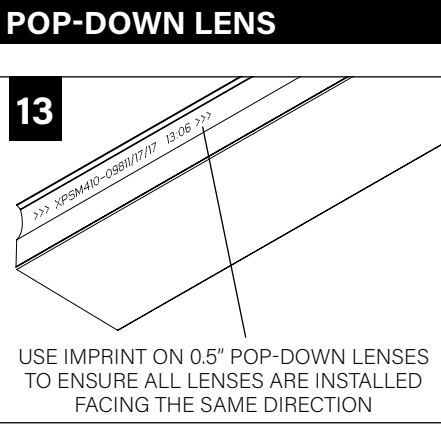
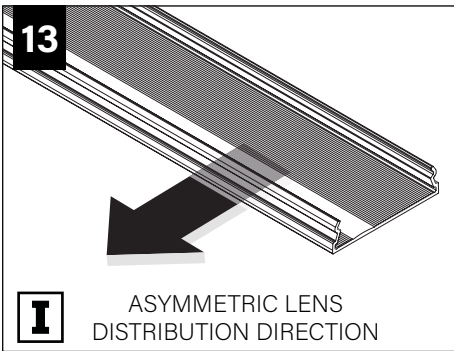
MAKE ELECTRICAL CONNECTION



FLUSH LENS



### ASYMMETRIC LENS DETAIL



### DRIVER SERVICE

