

Seem® 1 Point Source

Mud-In Drywal | FSM1D-XF



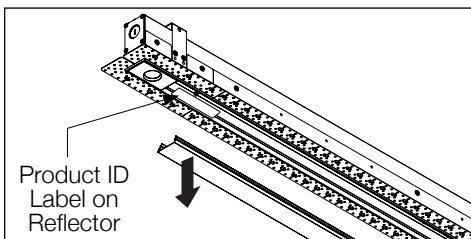
BEFORE YOU BEGIN

- Luminaires must be installed by a qualified electrician (check with local and national codes for proper installation).
- To prevent electrical shock, disconnect electrical supply before installation or servicing.
- Contractor is responsible for adequately reinforcing walls and/or ceilings to support fixture weight.
- Focal Point, LLC accepts no responsibility for inadequately reinforced walls and/or ceilings.
- The information contained in this drawing is the sole property of Focal Point, LLC. Any reproduction in part or whole without the written permission of Focal Point, LLC is prohibited.

INSTRUCTION KEY

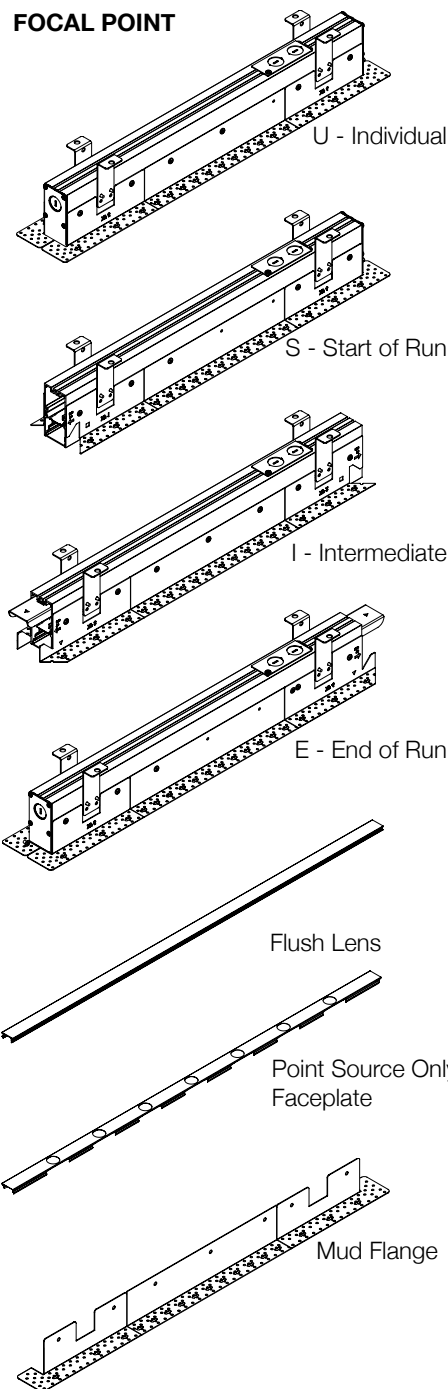
- ATTENTION
- SEE ADDITIONAL INSTRUCTIONS
- POWER OFF
- POWER ON

PRODUCT ID LOCATION

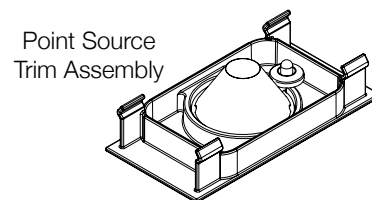
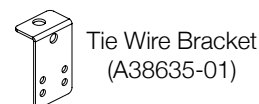


COMPONENT KEY

FOCAL POINT

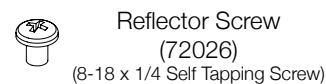


SHIPPED INSTALLED

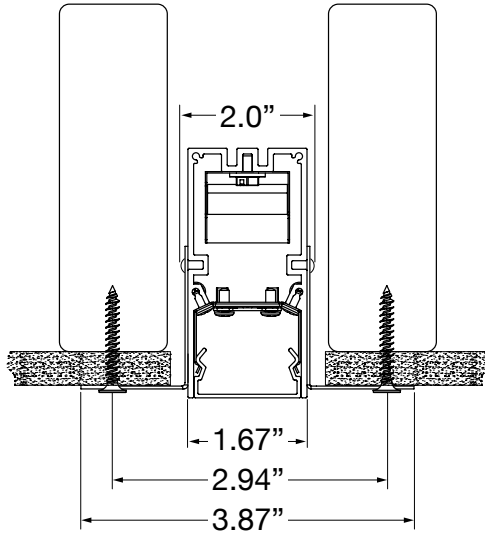


POINT SOURCE TRIM ASSEMBLY SHIPS INSTALLED IN SOME, BUT NOT ALL INSTANCES.

SHIPPED IN HARDWARE BAG

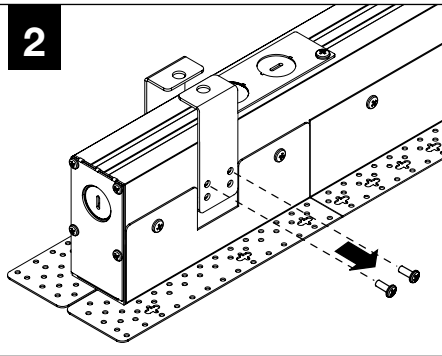


1



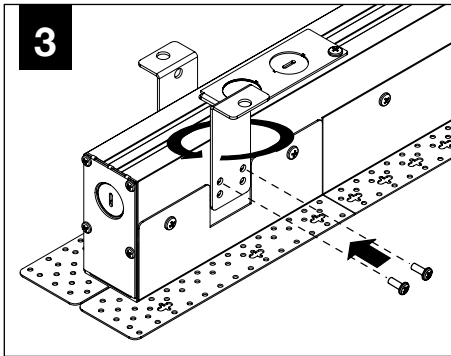
2"X6" FRAMING REQUIRED ON BOTH SIDES OF HOUSING

2



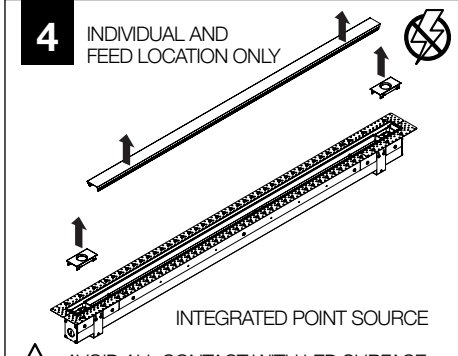
OPTIONAL

3



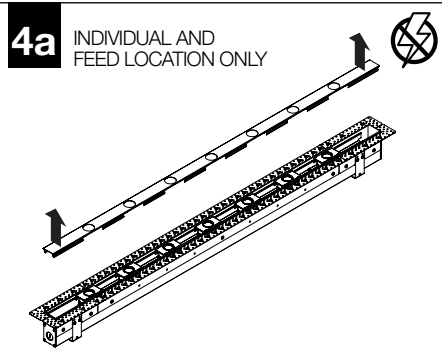
OPTIONAL

4



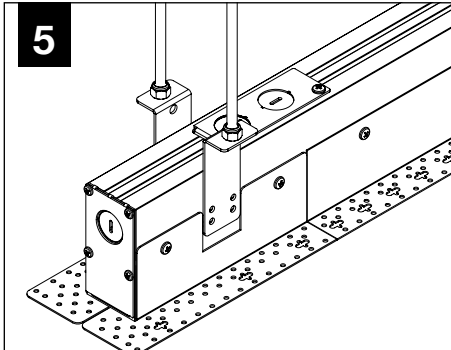
AVOID ALL CONTACT WITH LED SURFACE, LEDs ARE EASILY DAMAGED!

4a



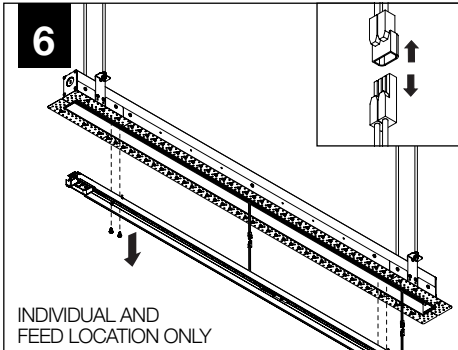
POINT SOURCE ONLY

5



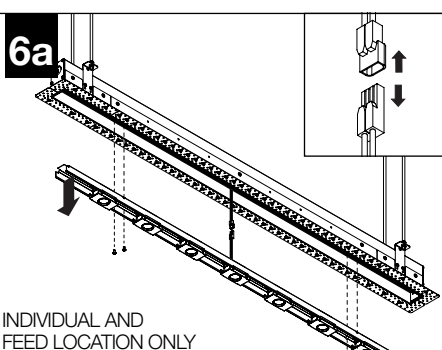
SECURE TO STRUCTURE ABOVE

6



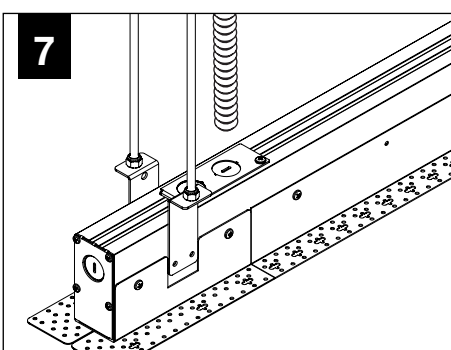
INTEGRATED POINT SOURCE

6a



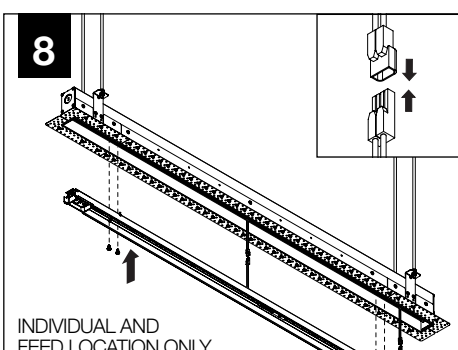
POINT SOURCE ONLY

7

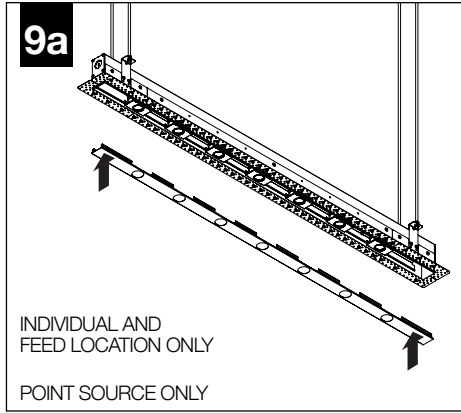
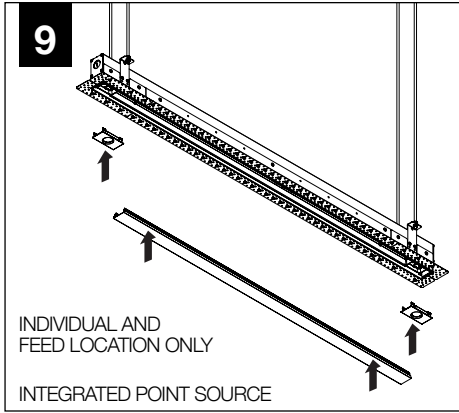
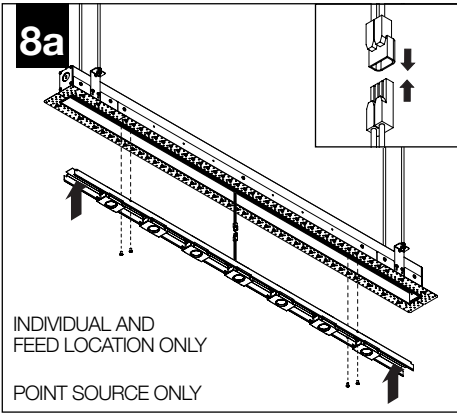


MAKE ELECTRICAL CONNECTIONS

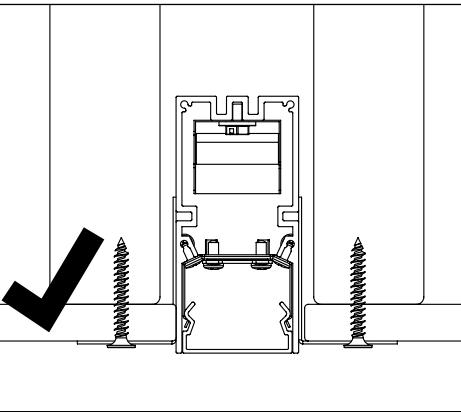
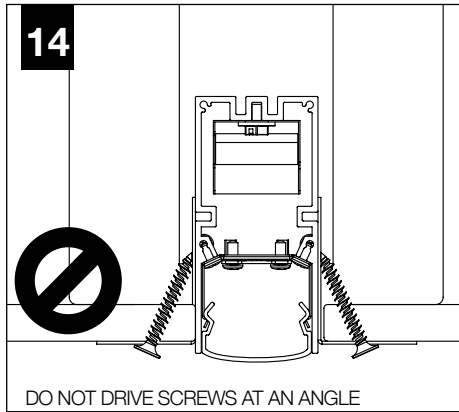
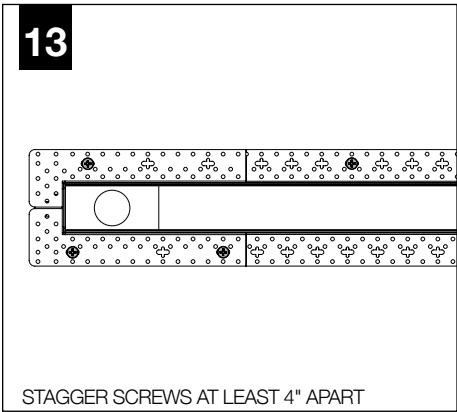
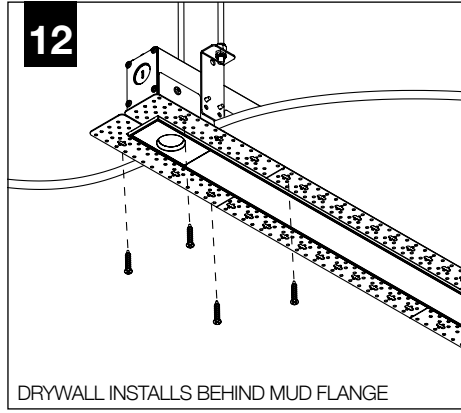
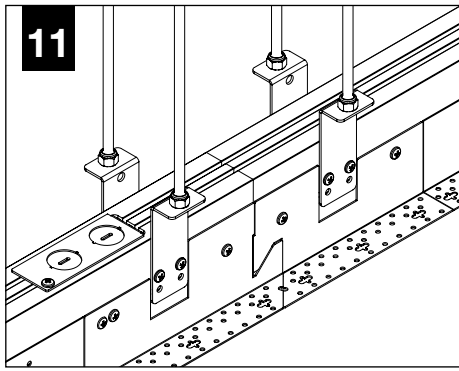
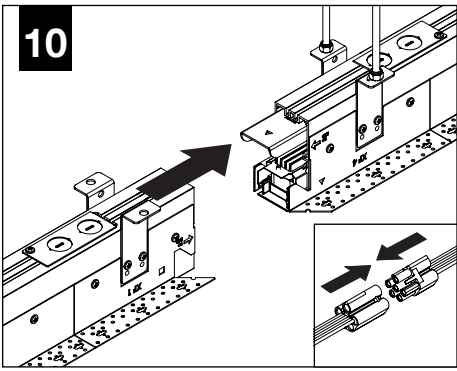
8

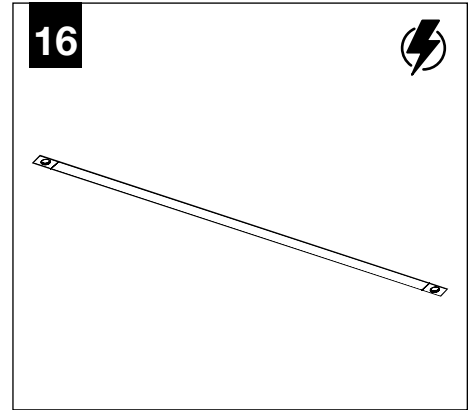
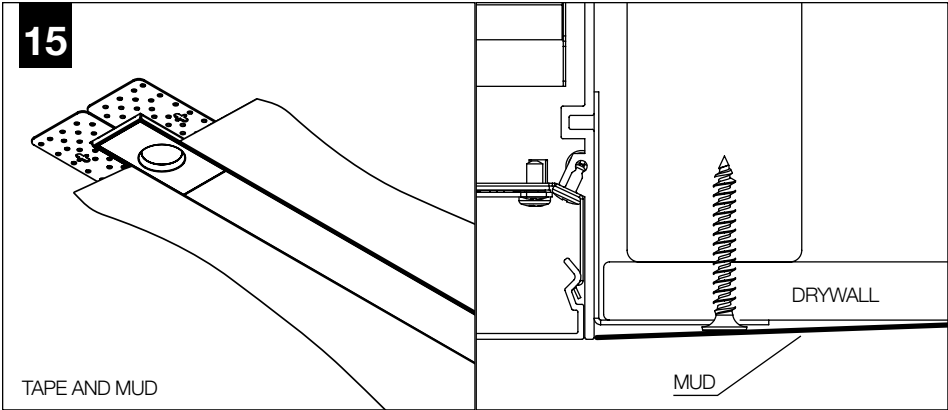


INTEGRATED POINT SOURCE

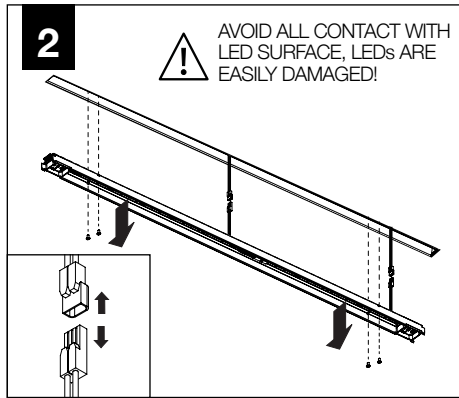
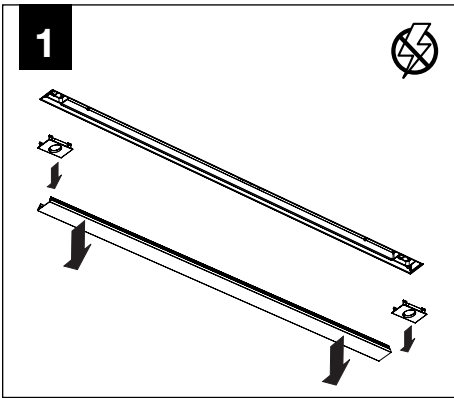


INDIVIDUAL INSTALLATIONS SKIP TO STEP 12





DRIVER SERVICE - INTEGRATED POINT SOURCE



DRIVER SERVICE - POINT SOURCE ONLY

