

Seem® 1 Louver

Surface Mount | FSM1CS-SM



FOCAL POINT®



BEFORE YOU BEGIN

- Luminaires must be installed by a qualified electrician (check with local and national codes for proper installation).
- To prevent electrical shock, disconnect electrical supply before installation or servicing.
- Contractor is responsible for adequately reinforcing walls and/or ceilings to support fixture weight.
- Focal Point, LLC accepts no responsibility for inadequately reinforced walls and/or ceilings.
- The information contained in this drawing is the sole property of Focal Point, LLC. Any reproduction in part or whole without the written permission of Focal Point, LLC is prohibited.

INSTRUCTION KEY



ATTENTION



SEE ADDITIONAL INSTRUCTIONS

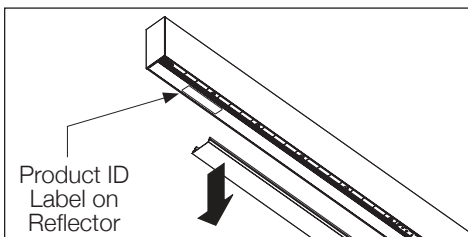


POWER OFF



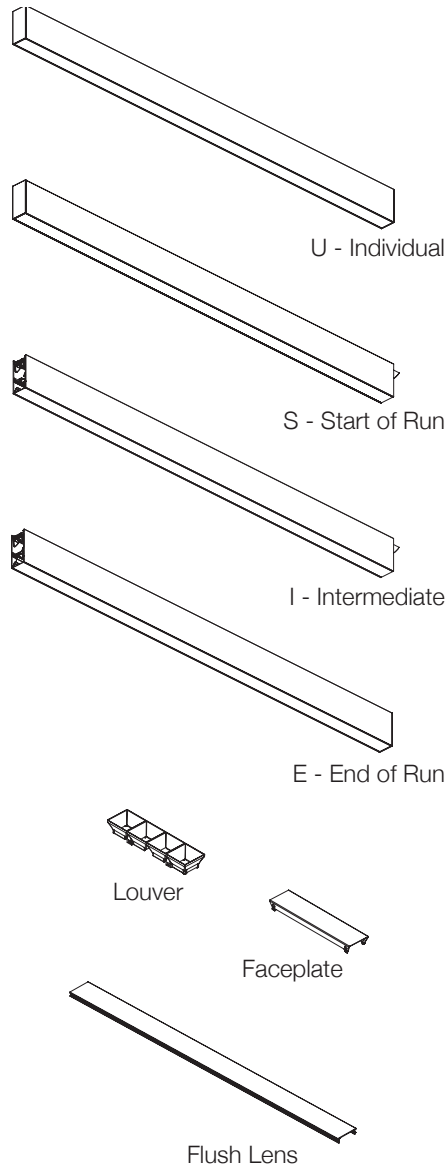
POWER ON

PRODUCT ID LOCATION

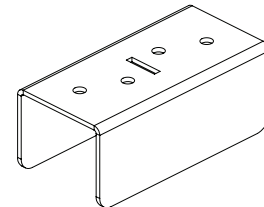


COMPONENT KEY

FOCAL POINT



SHIPPED INSTALLED



Joiner Bracket
(A37351-01)



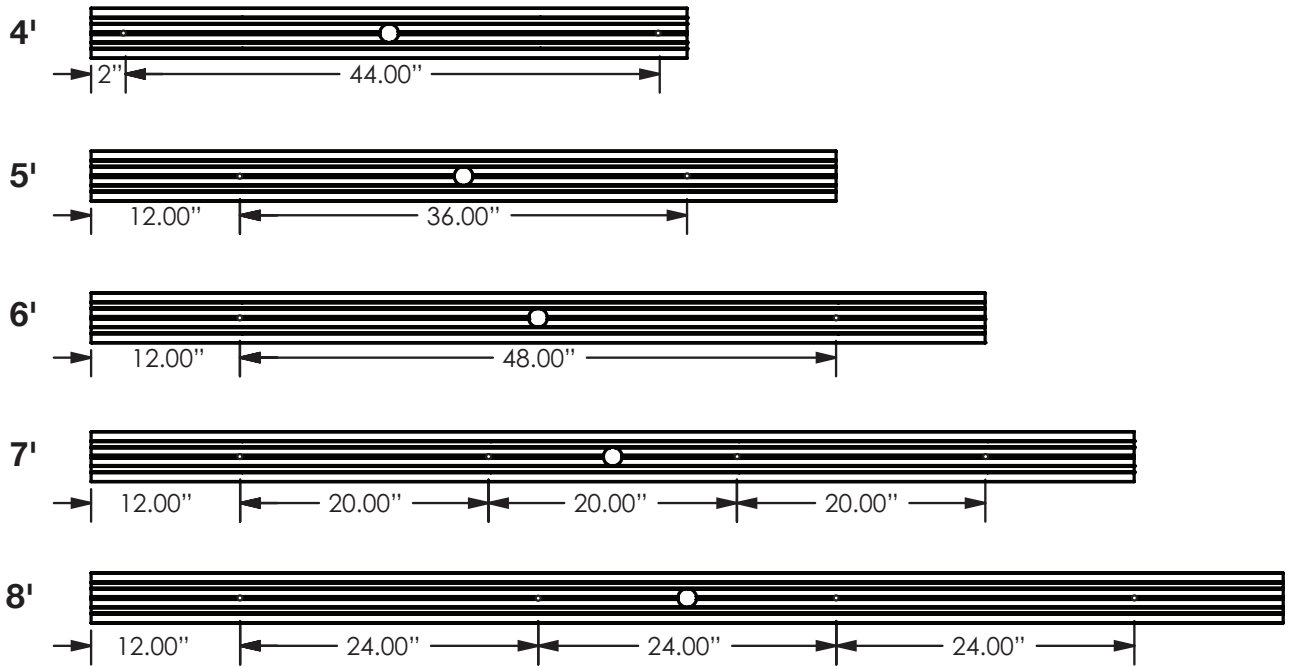
Screw
(700192)

SHIPPED IN HARDWARE BAG



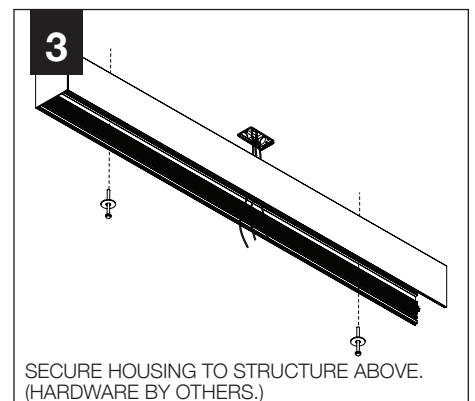
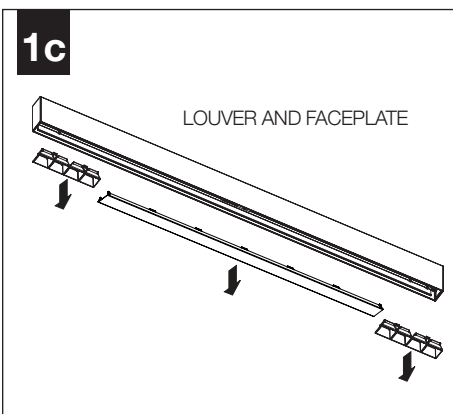
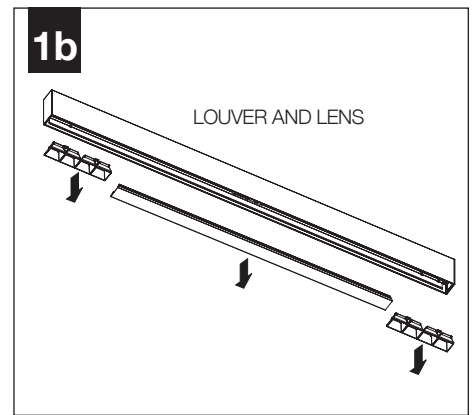
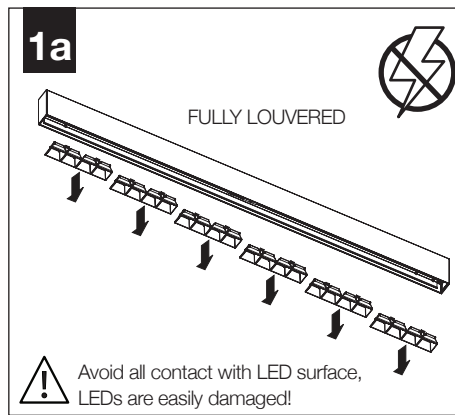
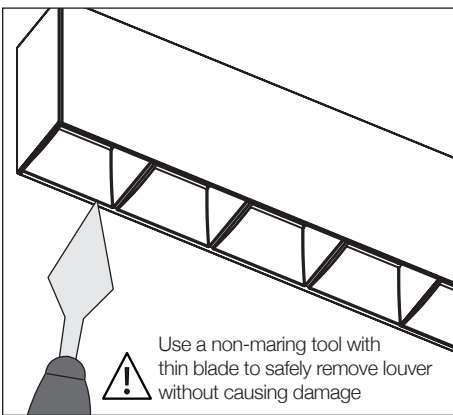
Mounting Screw
(72007)
(2 per luminaire)

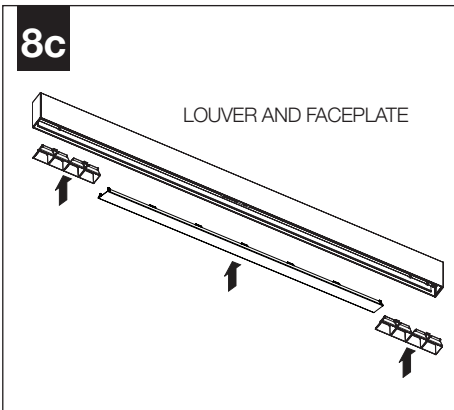
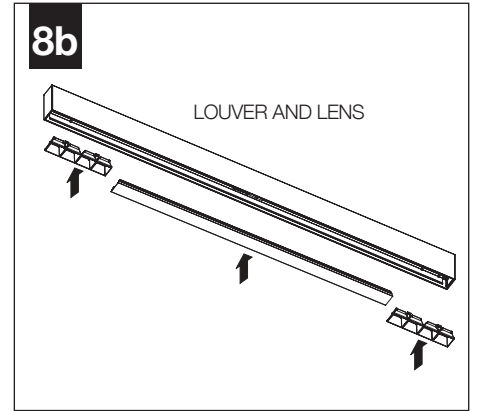
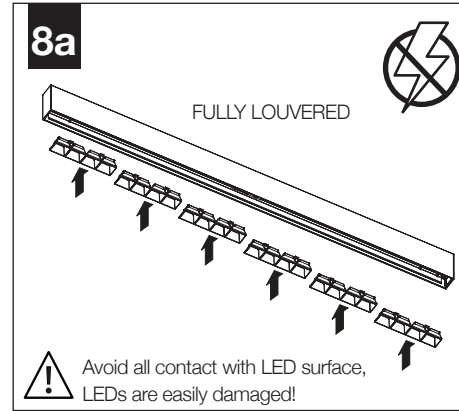
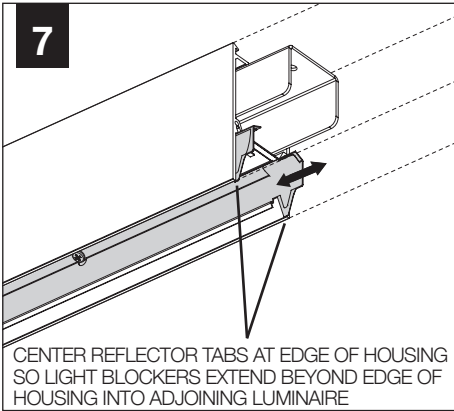
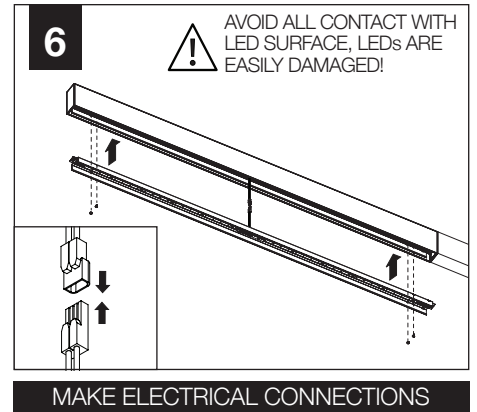
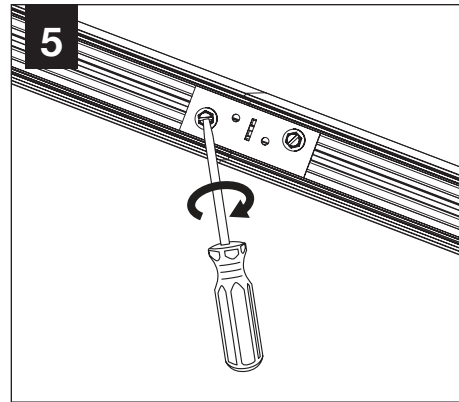
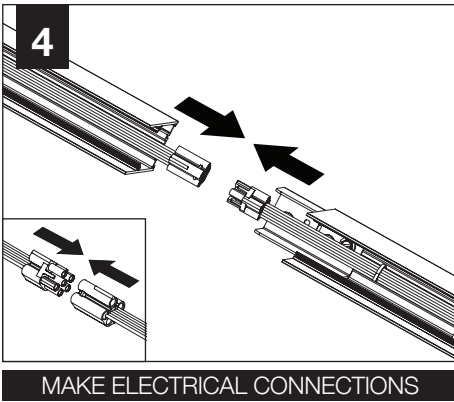
MOUNTING



Feed location is always centered in housing, with the exception of the 2' housing. Use single device cover or single gang handy box and mounting hardware (by others)

⚠️ INDIVIDUAL INSTALLATIONS FOLLOW STEPS 1, 3, 6, 8 & 9





EM- MOUNTING HEIGHT

I

See Battery Manufacturer Instructions

Emergency maximum mounting height:

External Switch: 26.4'

Internal Switch: 8.0'

DRIVER SERVICE

