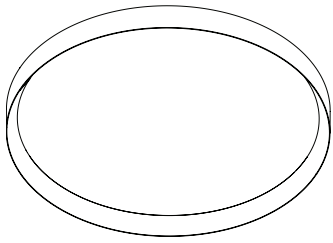


# Skydome® Edge Surface Mount

FSDESM-22|33|44



FOCAL POINT®



**WEIGHTS:**

**2' - 24.0 LBS**

2 PEOPLE RECOMMENDED FOR INSTALLATION

**3' - 46.0 LBS**

2 PEOPLE RECOMMENDED FOR INSTALLATION

**4' - 80.2 LBS**

3 PEOPLE RECOMMENDED FOR INSTALLATION

**KEY**



POWER OFF

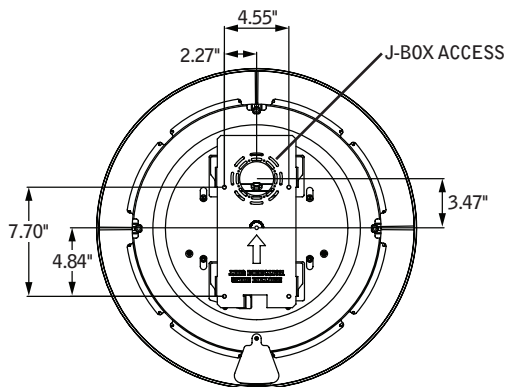


POWER ON

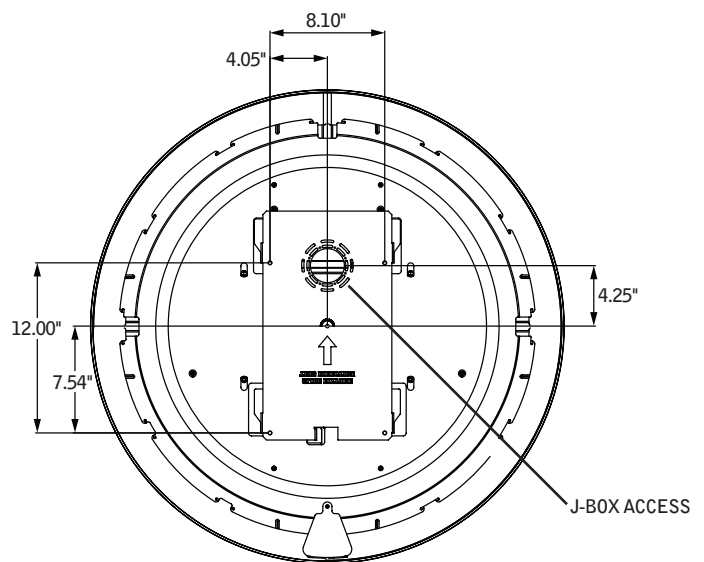


ATTENTION

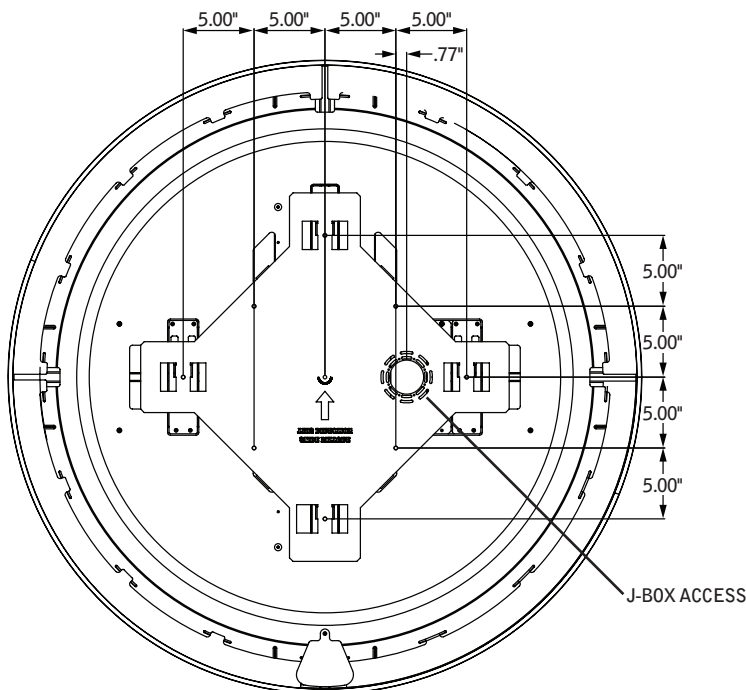
## MOUNTING LOCATIONS



2' DIAMETER



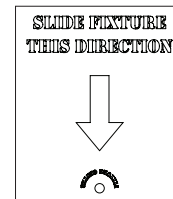
3' DIAMETER



4' DIAMETER



SKYDOME EDGE INSTALLS IN ONE DIRECTION ONLY



ALLOW MINIMUM 12" BETWEEN LUMINAIRE AND WALL/OBSTRUCTION IN OPPOSITE DIRECTION OF LUMINAIRE INSTALLATION

Luminaires must be installed by a qualified electrician (check with local and national codes for proper installation).  
To prevent electrical shock, disconnect electrical supply before installation or servicing.

**1** LEAVE GROUND WIRE EXPOSED FOR ELECTRICAL CONNECTION (STEP 4)

**2' / 3' DIAMETER**

INSTALL CEILING PLATE TO STRUCTURE ABOVE USING 4 x 1/4"-20 BOLTS (BY OTHERS)

**4' DIAMETER**

INSTALL CEILING PLATE TO STRUCTURE ABOVE USING 8 x 1/4"-20 BOLTS (BY OTHERS)

**2** PROPERLY ORIENT AND ALIGN SKYDOME EDGE WITH MOUNTING PLATE

**2' / 3' DIAMETER**

**4' DIAMETER**

**3** X4

**2' / 3' DIAMETER**

X4

**4' DIAMETER**

**4** SUSPEND LUMINAIRE USING THE LANYARDS

CONNECT MOUNTING PLATE GROUND WIRE TO LUMINAIRE GROUND WIRE

**MAKE ELECTRICAL CONNECTIONS**

**5**

ALIGN SLOTS ON REAR OF LUMINAIRE WITH TEETH ON MOUNTING PLATE.

**2' / 3' DIAMETER**      **4' DIAMETER**

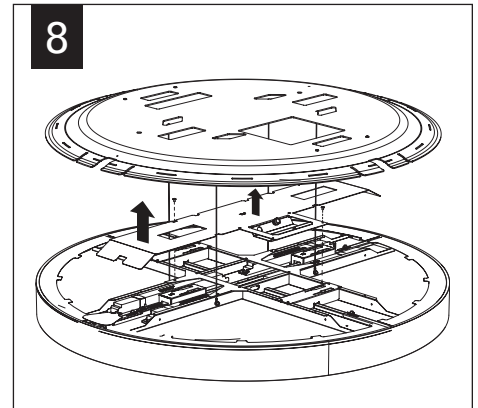
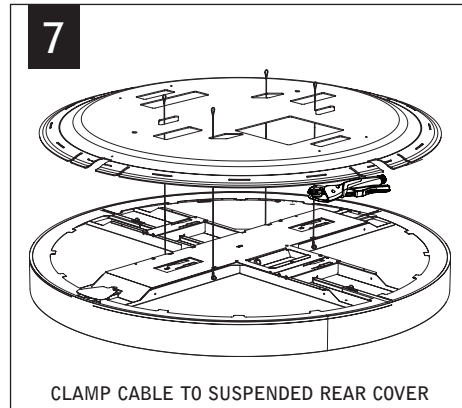
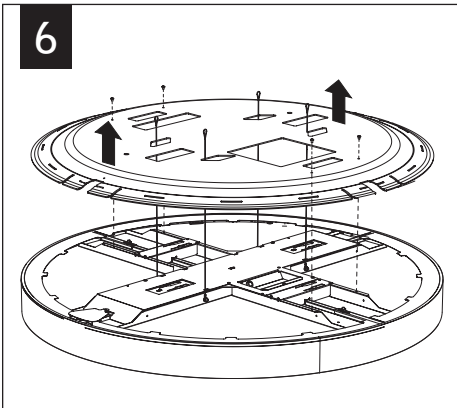
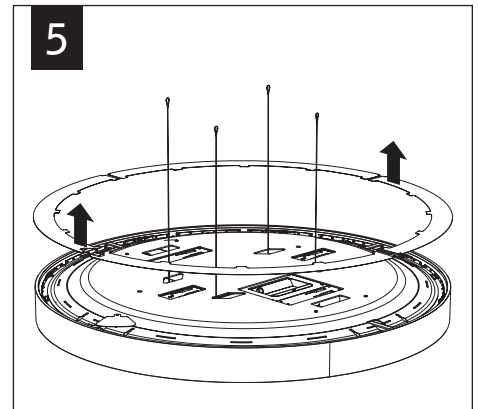
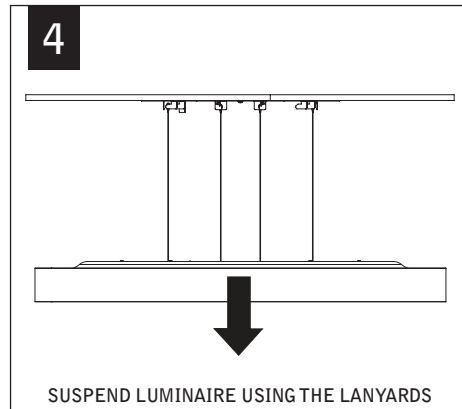
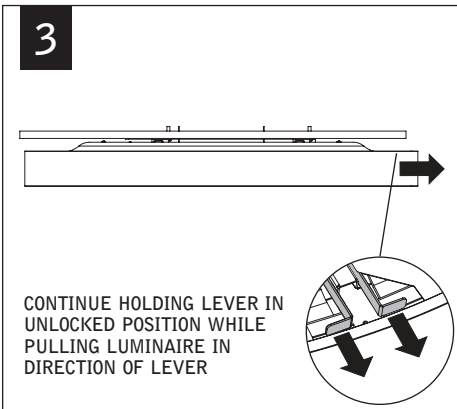
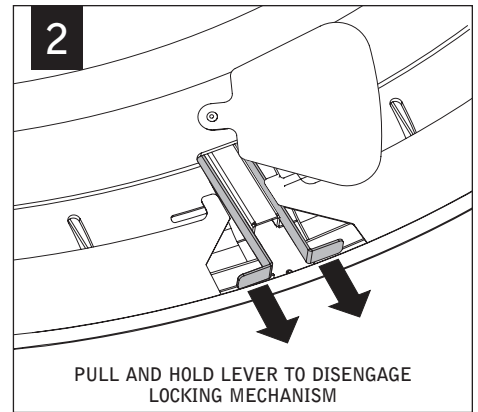
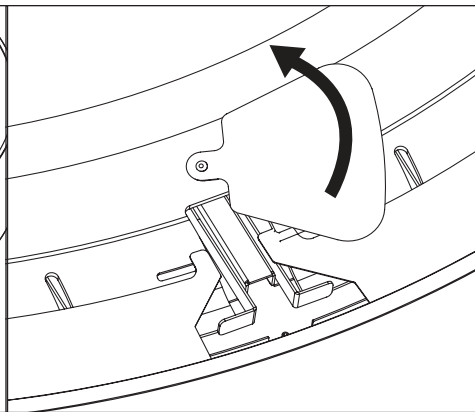
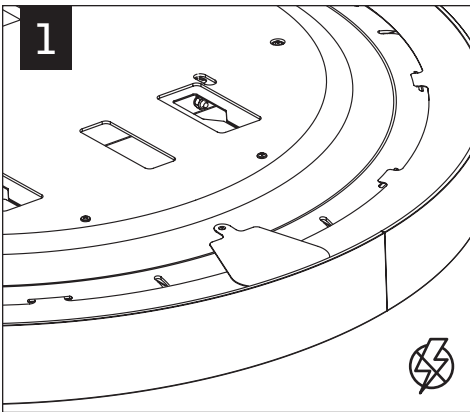
**6**

LIFT TO ENGAGE SLOTS ON REAR OF LUMINAIRE WITH TEETH ON MOUNTING PLATE. SLIDE LUMINAIRE IN THE DIRECTION OF THE ARROW INDICATED ON MOUNTING PLATE.

**7**

Contractor is responsible for adequately reinforcing walls and/or ceilings to support luminaire weight. Focal Point, LLC accepts no responsibility for inadequately reinforced walls and/or ceilings. The information contained in this drawing is the sole property of Focal Point, LLC. Any reproduction in part or whole without the written permission of Focal Point, LLC is prohibited.

## DRIVER SERVICE



## EMERGENCY



SEE BATTERY MANUFACTURER INSTRUCTIONS

EMERGENCY MAXIMUM MOUNTING HEIGHT:  
14.25'

Contractor is responsible for adequately reinforcing walls and/or ceilings to support luminaire weight. Focal Point, LLC accepts no responsibility for inadequately reinforced walls and/or ceilings. The information contained in this drawing is the sole property of Focal Point, LLC. Any reproduction in part or whole without the written permission of Focal Point, LLC is prohibited.