

Luna® LED

FLUL 1x4 | 2x2 | 2x4



FOCAL POINT®

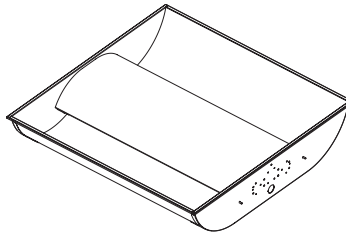


BEFORE YOU BEGIN

- Luminaires must be installed by a qualified electrician (check with local and national codes for proper installation).
- To prevent electrical shock, disconnect electrical supply before installation or servicing.
- Contractor is responsible for adequately reinforcing walls and/or ceilings to support fixture weight.
- Focal Point, LLC accepts no responsibility for inadequately reinforced walls and/or ceilings.
- The information contained in this drawing is the sole property of Focal Point, LLC. Any reproduction in part or whole without the written permission of Focal Point, LLC is prohibited.

COMPONENT KEY

FOCAL POINT



INSTRUCTION KEY



ATTENTION



SEE ADDITIONAL INSTRUCTIONS

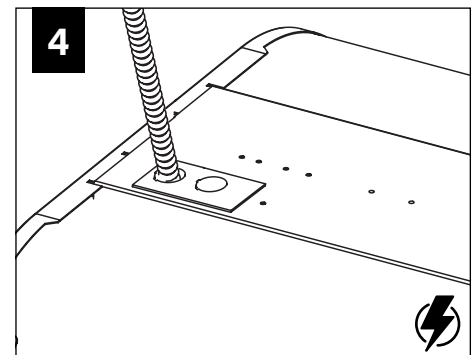
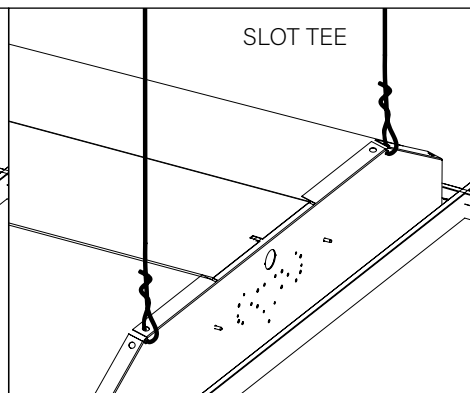
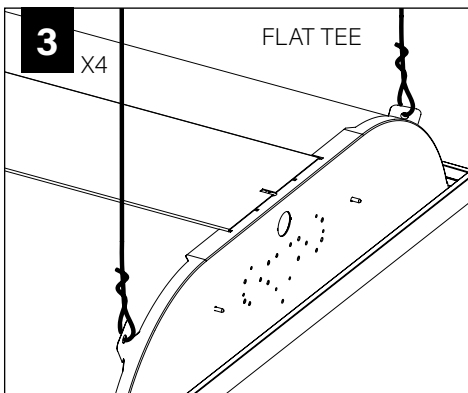
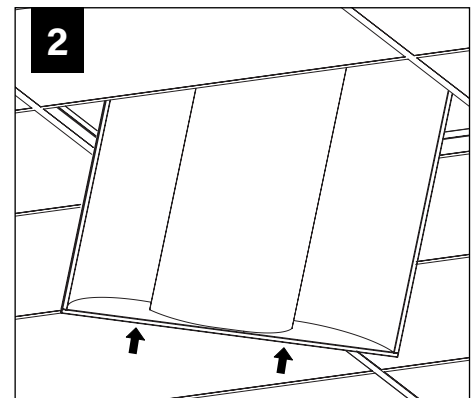
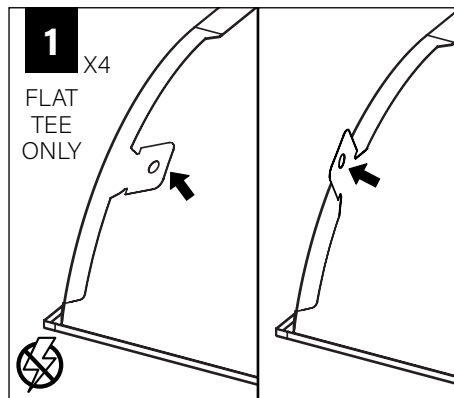


POWER OFF



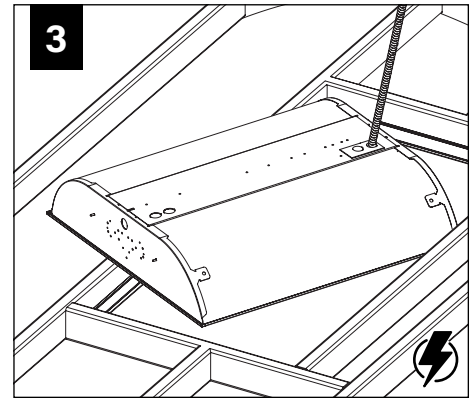
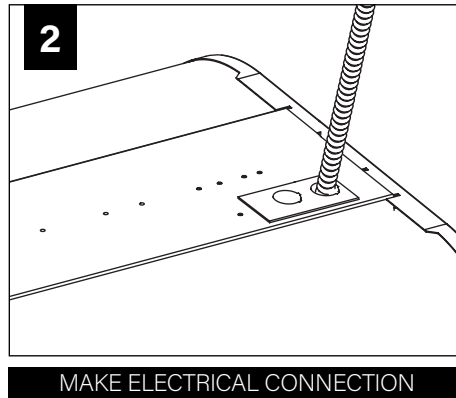
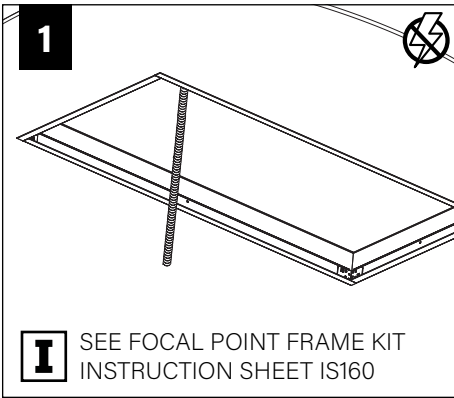
POWER ON

GRID INSTALLATION

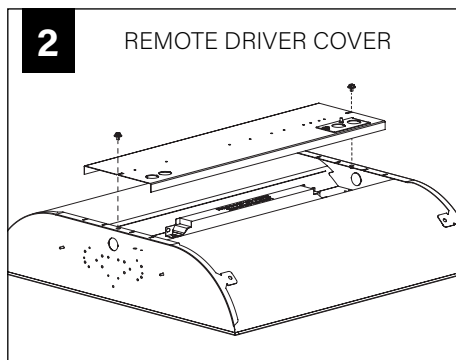
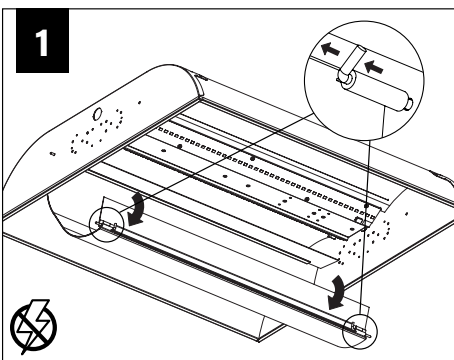


MAKE ELECTRICAL CONNECTION

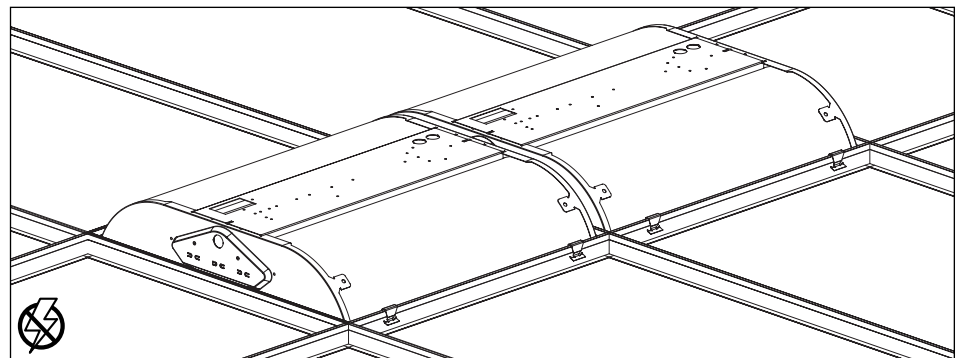
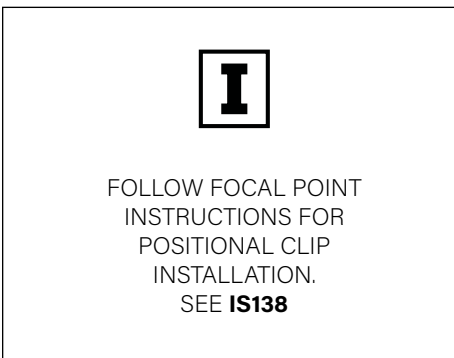
DRYWALL INSTALLATION



SERVICE



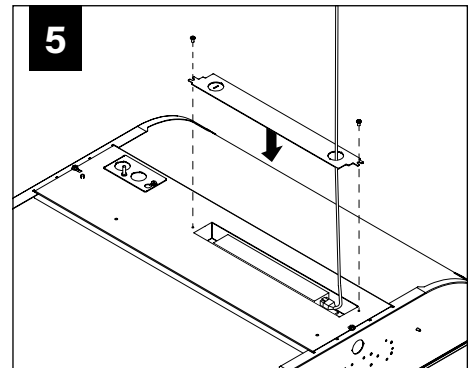
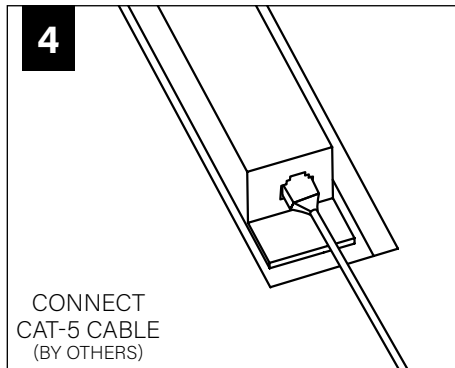
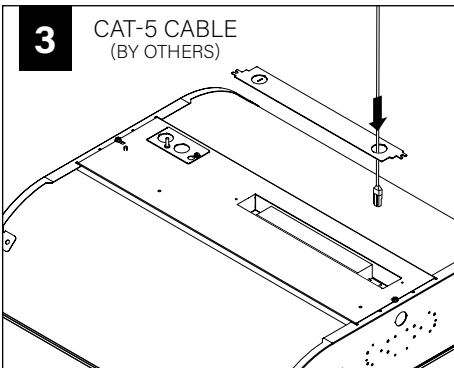
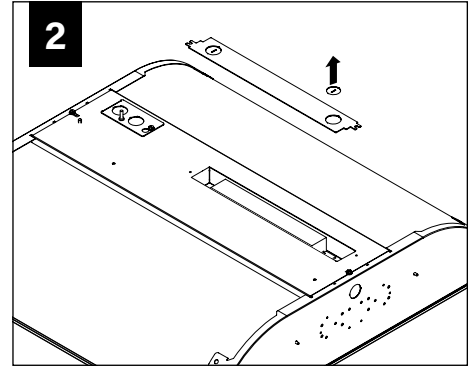
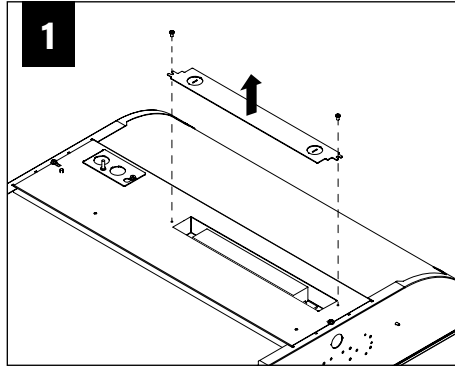
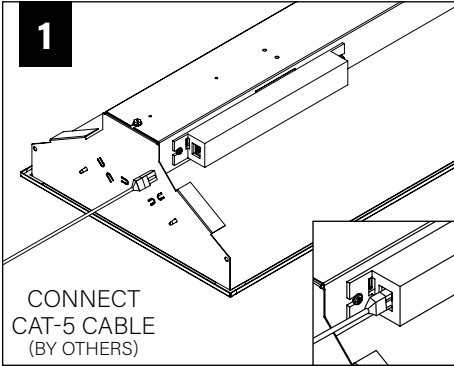
POSITIONAL CLIPS (OPTIONAL)



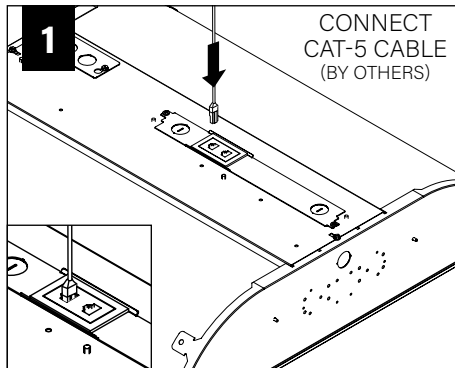
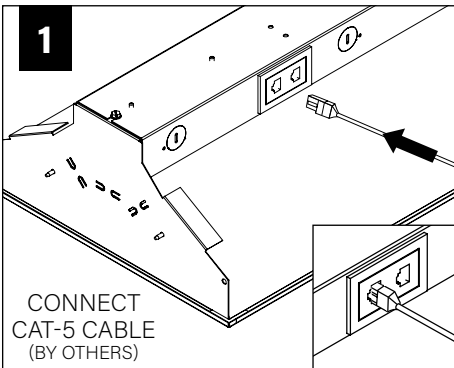
EMERGENCY



ACUITY nLIGHT



WATTSTOPPER



HUBBELL NX

