

# id+ 4.5" square trimless housing

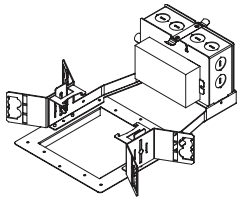
FLC44D-ST | FLC44W-ST



FOCAL POINT®

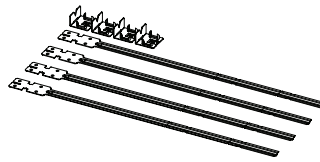
**! LUMINAIRE MUST BE INSTALLED PRIOR TO DRYWALL CEILING. !**

NON-EMERGENCY - THERMALLY PROTECTED, NON-IC



FLC44D-ST | FLC44W-ST

BAR HANGERS  
SOLD SEPARATELY



KEY



POWER OFF



POWER ON



LEVEL

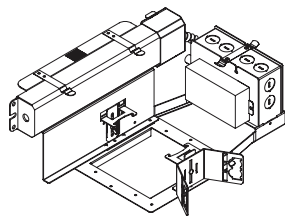


ATTENTION



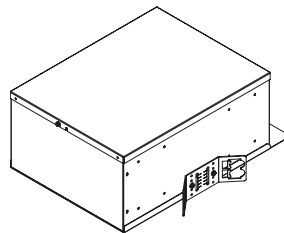
SEE ADDITIONAL INSTRUCTIONS

EMERGENCY - INTEGRAL TEST SWITCH



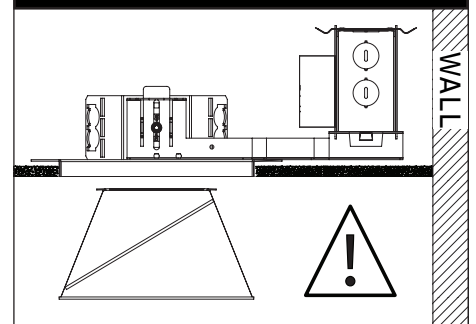
FLC44D-ST | FLC44W-ST

CP - EMERGENCY/NON-EMERGENCY




FLC44D-ST | FLC44W-ST

## WALL WASH ORIENTATION

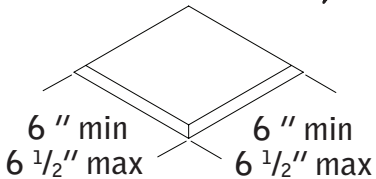


**A**



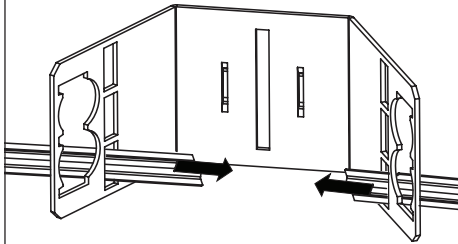
TO SET CEILING THICKNESS SEE FOCAL POINT INSTRUCTION SHEET IS0609

**1**

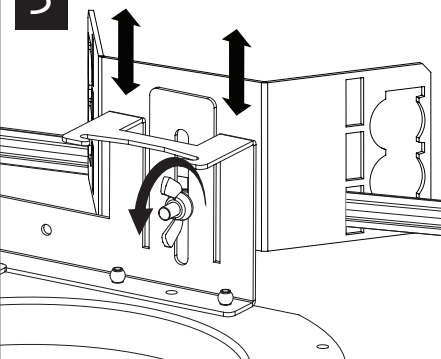


6" min  
6 1/2" max

**2** x2

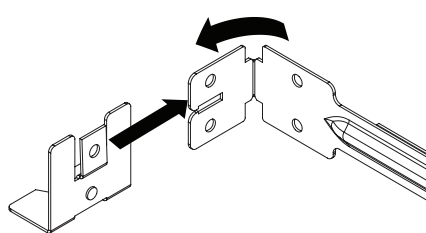


**3**

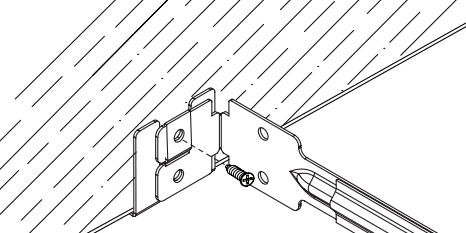


## WOOD STUDS

**2a** x4

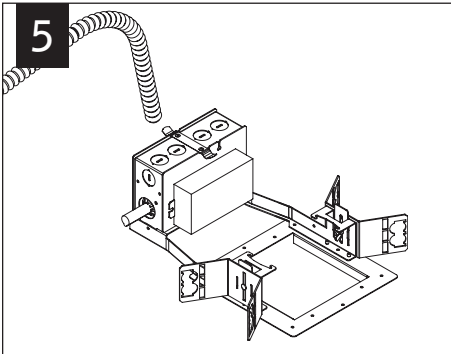
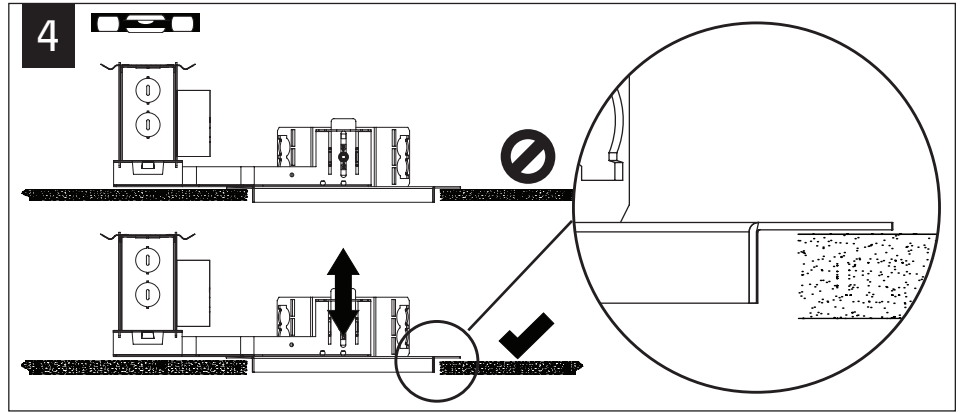
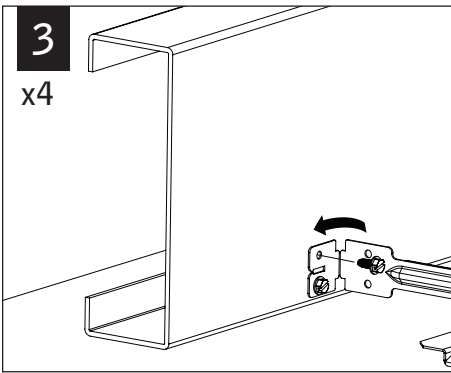


**2b** x4



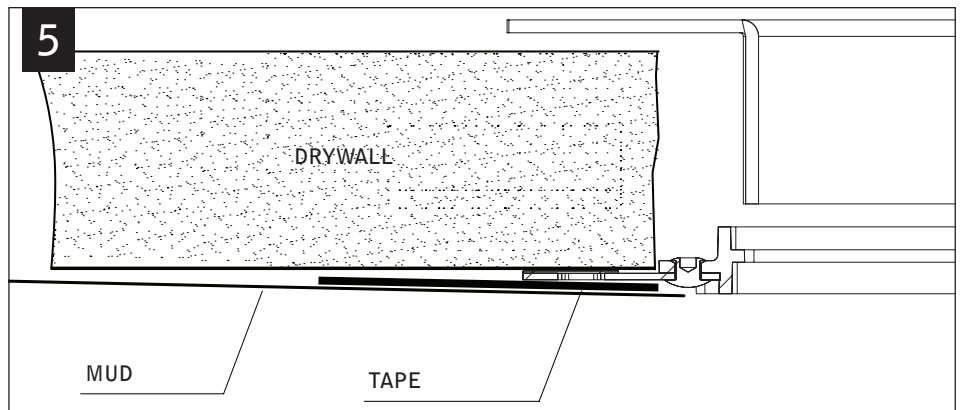
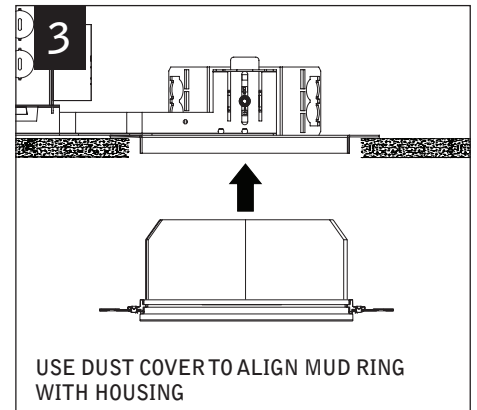
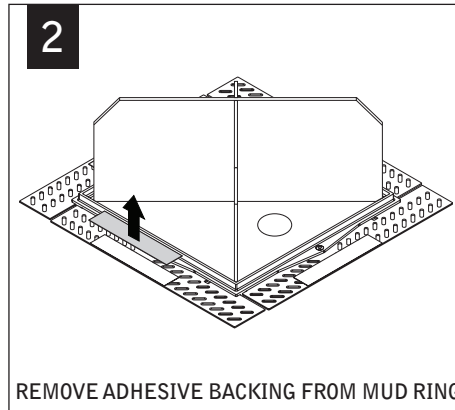
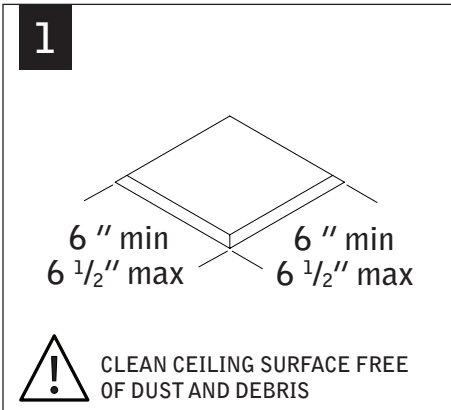
Luminaires must be installed by a qualified electrician (check with local and national codes for proper installation). To prevent electrical shock, disconnect electrical supply before installation or servicing.

## METAL STUDS



**MAKE ELECTRICAL CONNECTIONS**

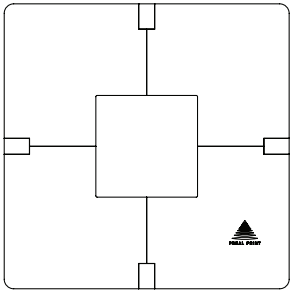
## MUD-IN



Fixtures must be installed by a qualified electrician (check with local and national codes for proper installation).  
To prevent electrical shock, disconnect electrical supply before installation or servicing.

# WOOD CEILING

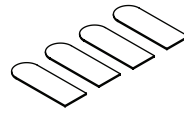
## WOOD CEILING INSTALLATION KIT PARTS LIST



WOOD ROUTING JIG

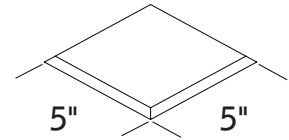


5/16" MINIATURE RABBETING BIT WITH 1/16" CUT DEPTH



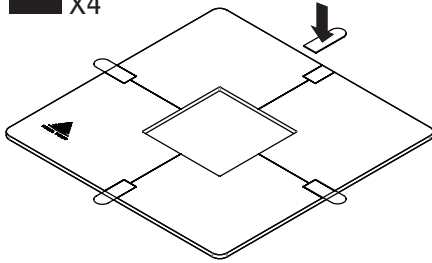
3M COMMAND POSTER STRIP #136 (QTY. 40)

1



CLEAN WOOD CEILING SURFACE AND WOOD ROUTING JIG FREE OF DUST AND DEBRIS

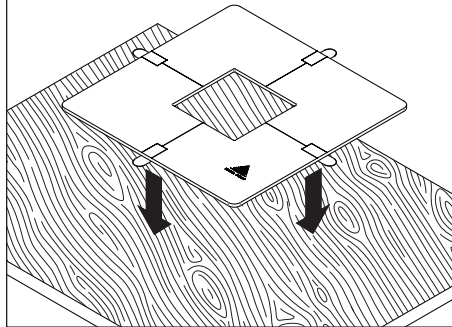
2 X4



ADHERE COMMAND POSTER STRIPS TO WOOD ROUTING JIG

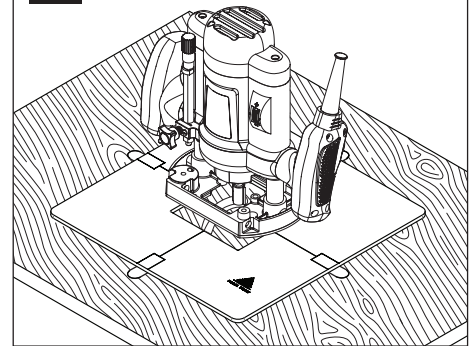
3

ADHERE WOOD ROUTING JIG TO WOOD CEILING SURFACE



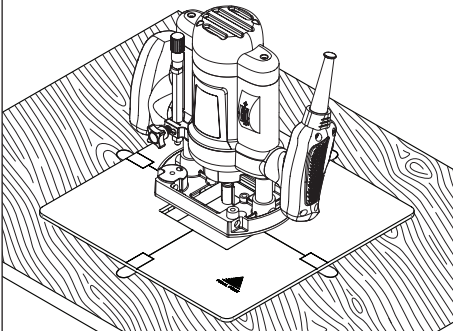
4

CREATE STARTER HOLE



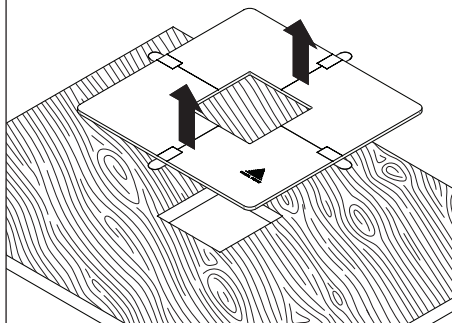
5

CREATE MAIN HOLE USING WOOD CEILING JIG AS GUIDE

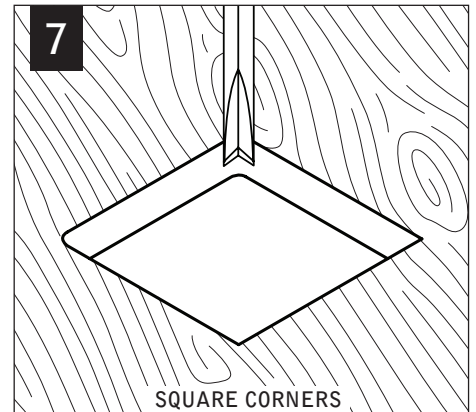


6

REMOVE WOOD ROUTING JIG FROM WOOD CEILING SURFACE

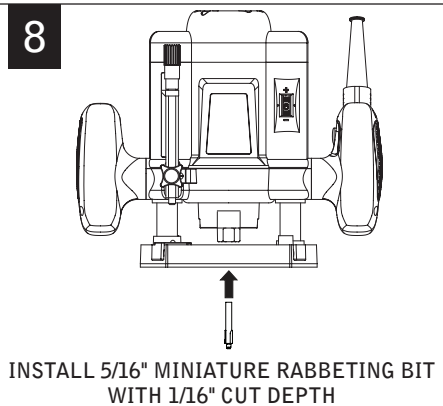


7



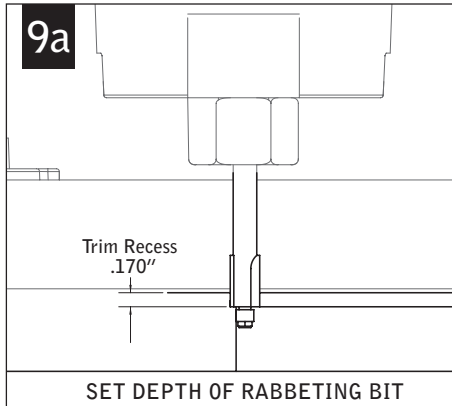
SQUARE CORNERS

8



INSTALL 5/16" MINIATURE RABBETING BIT WITH 1/16" CUT DEPTH

9a

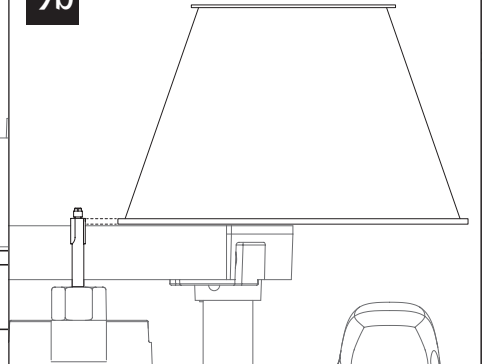


Trim Recess .170"

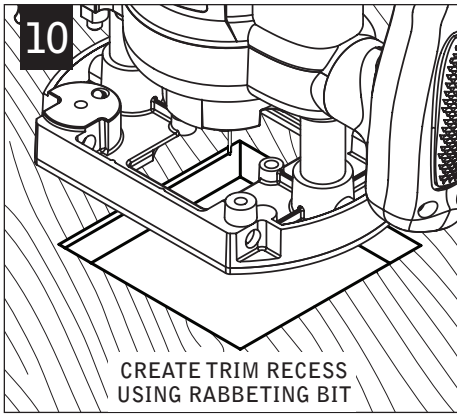
SET DEPTH OF RABBETING BIT

9b

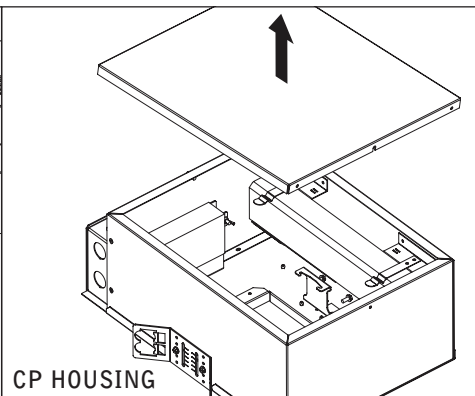
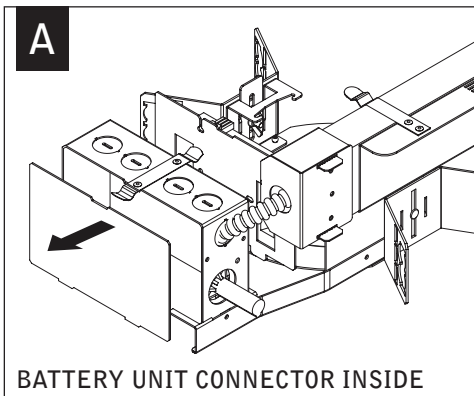
USE TRIM TO DOUBLE CHECK DEPTH



Fixtures must be installed by a qualified electrician (check with local and national codes for proper installation). To prevent electrical shock, disconnect electrical supply before installation or servicing.



**EMERGENCY - INTEGRAL TEST SWITCH**



**B**

**I**

SEE BATTERY  
MANUFACTURER  
INSTRUCTIONS

**C**

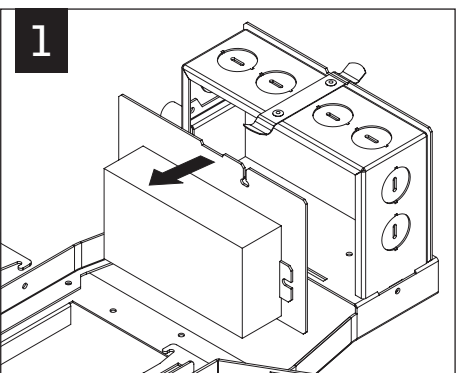
**I**

FOR EMERGENCY INTEGRAL  
TEST SWITCH INSTALLATION  
SEE FOCAL POINT  
INSTRUCTION SHEET IS0609

**!**

DO NOT MATE CONNECTOR  
UNTIL INSTALLATION  
IS COMPLETE AND A.C.  
POWER IS SUPPLIED

**DRIVER SERVICE**



Contractor is responsible for adequately reinforcing walls and/or ceilings to support fixture weight. Focal Point, LLC accepts no responsibility for inadequately reinforced walls and/or ceilings. The information contained in this drawing is the sole property of Focal Point, LLC. Any reproduction in part or whole without the written permission of Focal Point, LLC is prohibited.