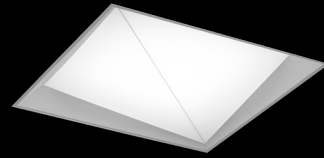
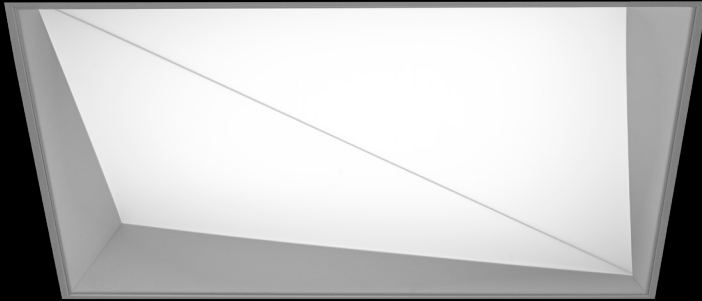


Facetta 2x2

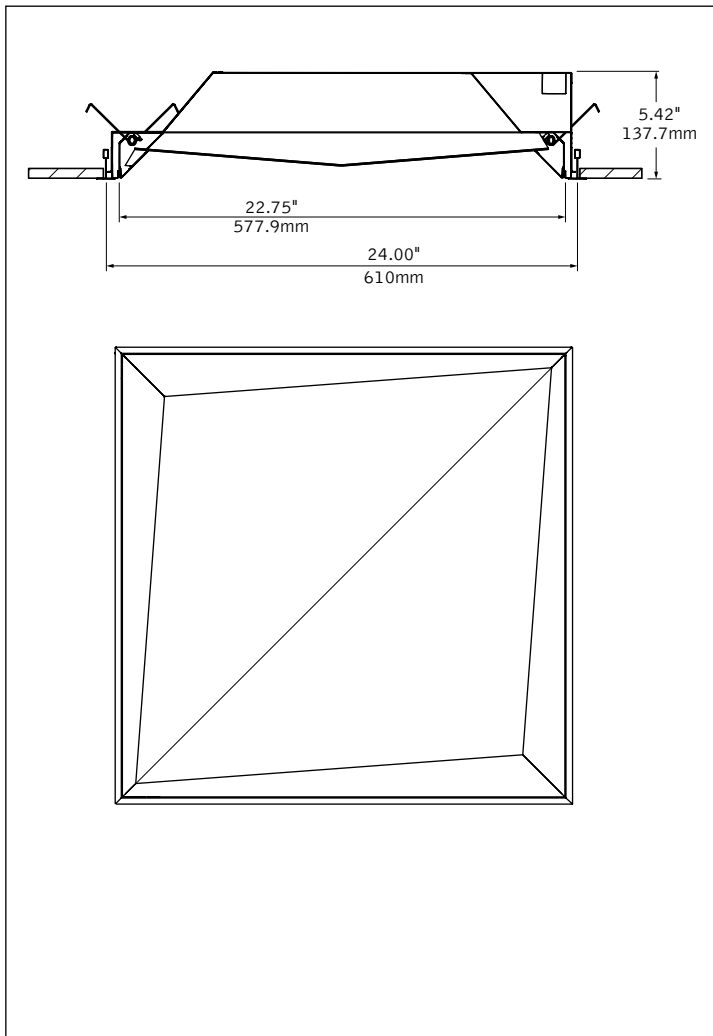
LED



FOCAL POINT®



DIMENSIONAL DATA



FEATURES

Architectural recessed LED luminaire with faceted lens.

Faceted lens allows for use in clusters to create unique architectural patterns.

A one-piece, hinged bezel assembly is easily removed for ease of maintenance.

Standard Right Light levels from 1,000 to 6,000 lumens.

Dimming options include DALI, 0-10V and Lutron EcoSystem.

Connected Solutions: Integrates with wired and wireless building lighting control systems.

PoE compatible: Integrates with Power over Ethernet lighting systems via standard, low-voltage wires.

PERFORMANCE

PRODUCT OVERVIEW	
Lumen Output:	1000-6000lm
Wattage:	9-50W
LPW:	115-125
SDCM:	3

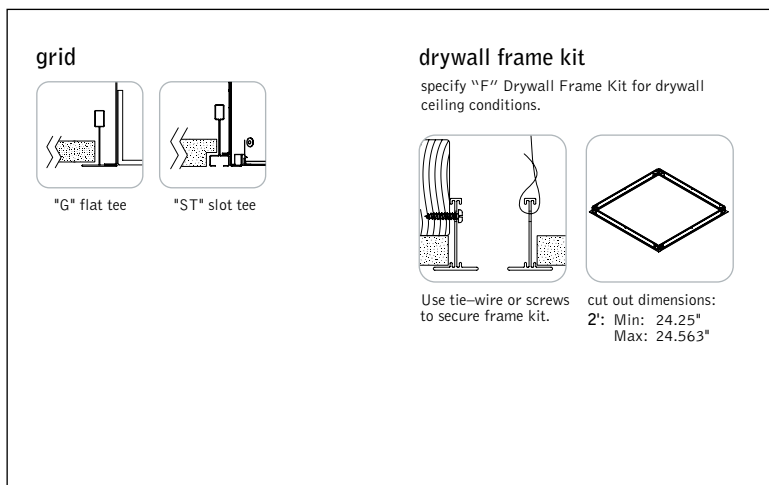
Delivered Lumens: 3000lm
Total System Watts: 26W

Photometric performance is measured in accordance with IESNA LM-79. Visit focalpointlights.com for complete photometric data.

fixture:

project:

DETAILS



SPECIFICATIONS

LED System

Proprietary linear LED module incorporates premium LEDs on a robust platform to achieve excellent thermal management. LEDs are placed to promote a uniform appearance. Available in 2700K, 3000K, 3500K or 4000K with CRI>80 or CRI>90. 3500K and 4000K with CRI>90 have a cyanosis observation index (COI) of 3.3 or less. 0-10V dimming driver standard. LED modules and drivers are replaceable from below. Color accuracy <3 SDCM.

Construction

24 Ga. steel housing. Bottom access 24 Ga. steel driver compartment. Positional brackets supplied as standard. Weight: 14.9lbs.

Optic

20 Ga. steel reflectors finished in matte satin white powder coat. .060" thick frosted acrylic lens.

Electrical

Standard 120-277V driver includes 0-10V analog dimming, 100% - 10% range. Power factor > .9. PoE compatible: Integrates with Power over Ethernet lighting systems via standard, low-voltage wires.

Emergency

Emergency battery output—10 watts for 90 minutes. Maximum mounting height: 24.7ft. Emergency Circuit with Connected Solutions (DLM1, LMFS1, LMFS1, NLT1, ENL1, CLM1, NXE1, WLPX) requires a UL924 compliant device, consult factory. Top access only.

Labels

UL and cUL listed. Suitable for Dry or Damp Locations, indoor use only.

Finish

Polyester powder coat applied over a multi-stage pre-treatment.

Lumen Maintenance

Reported: L70 at 42,000 hours Calculated: L70 at 115,000 hours
Derived from EPA TM-21 calculator. Based on typical conditions, consult factory for additional data.

Reliability

At Focal Point, our products are designed to stand the test of time. Each luminaire is engineered using superior components, manufactured with the utmost care and rigorously tested. Contact us for reliability data.

Lifetime and warranty

LED system rated for operation in ambient environments up to 25°C. 5-year limited warranty.

PERFORMANCE CHART

Delivered Lumens	Tested System Watts	LPW	Delivered Lumens	Tested System Watts	LPW
1000	9	115	4000	36	116
1500	13	116	4500	36	125
2000	17	121	5000	41	123
2500	21	123	5500	45	122
3000	26	119	6000	50	118
3500	31	117			

Based on 3500K, 80 CRI. Lumen multipliers:
Lumen output may vary +/- 5%. Actual wattage may vary +/- 5%.

ORDERING

Luminaire Series	FCT
Facetta	FCT
Nominal Size	22
2' x 2'	22
Shielding	FL
Frosted Lens	FL
Lumen Output	
1000 Lumens	1000L
1500 Lumens	1500L
2000 Lumens	2000L
2500 Lumens	2500L
3000 Lumens	3000L
3500 Lumens	3500L
4000 Lumens	4000L
4500 Lumens	4500L
5000 Lumens	5000L
5500 Lumens	5500L
6000 Lumens	6000L
Color Temperature	
2700K, 80+ CRI or 90+ CRI	27K or 927K
3000K, 80+ CRI or 90+ CRI	30K or 930K
3500K, 80+ CRI or 90+ CRI	35K or 935K
4000K, 80+ CRI or 90+ CRI	40K or 940K
Circuits	1C
Single Circuit	1C
Voltage	
UNV 120/277 Volt	UNV
347 Volt	347
<small>(Transformer required for all drivers except LD1. Transformer access above ceiling only. LD1 not available with 1000 Lumens. Not available with SD5.)</small>	
Low Voltage	LV
Control System & Dimming Level	
0-10V - 10% Dimming	LD1
0-10V - 1% Dimming	L11
Low Voltage, PoE compatible <small>(No driver. Not available with EM. LV Voltage only.)</small>	LVN
Lutron Hi-Lume EcoSystem (LDE1) - 1% Dimming	LH1
DALI - 1% Dimming	D11
Step Dimming <small>(120/277 only.)</small>	SD5
Wattstopper DLM - 1% Dimming <small>(Not available with CP.)</small>	DLM1
Wattstopper Fixture Sensor Low Density - 1% Dimming <small>(Remote mounted sensor.)</small>	LMFS1
Wattstopper Fixture Sensor High Density - 1% Dimming <small>(Remote mounted sensor.)</small>	LMFS1
Acuity nLight - 1% Dimming <small>(Not available with CP.)</small>	NLT1
Enlighted Smart Sensor - 1% Dimming <small>(Remote mounted sensor.)</small>	ENL1
Encelium CLM Connected Lighting Module - 1% Dimming	CLM1
Current NX Enabled - 1% Dimming <small>(Not available with CP.)</small>	NXE1
WaveLinX Pro - 1% Dimming <small>(Remote mounted sensor.)</small>	WLPX
Mounting	
Drywall Frame Kit <small>(Not available with CLM1, DLM1, NXE1 or NLT1)</small>	F
Grid	G
Slot Tee	ST
Factory Options	
Chicago Plenum <small>(Not available with flex whip)</small>	CP
Emergency Battery <small>(120/277V only. Top access only.)</small>	EM
6' New York City Flex Whip (120V)	FNY1
6' New York City Flex Whip (277V)	FNY2
6' Flex Whip	FW
Finish	WH
Matte White Housing	WH

Focal Point provides flexibility in meeting the needs of each project by integrating with several building lighting control systems. A variety of sensors, drivers and other components can be specified that allow the luminaires to communicate with wired and wireless networks. All zoning can be digitally reconfigured through the application software. Daylight harvesting, occupancy sensing, integration with HVAC systems, and individual controls enable the monitoring and modulating of light levels and temperature in order to save energy, reduce costs and maximize occupants' comfort. All Connected Solutions luminaires require a compatible building control system.†

Connected Solution	Ordering Code	Model #**	Protocol	Compatible Networks*	Occupancy & Daylight	Temperature Reporting	Communication to Luminaire	Drivers
 WATTSTOPPER®	LMF1	LMFC-011	DLM	DLM	Enabled	No	Wired 	Advance by Signify, Optotronic by eldoLED
	LMFS1 LMFSD	LMFS-601 & LMFI-111 LMFS-601	DLM Wireless	DLM	Enabled	No	Wireless	Advance by Signify Optotronic by eldoLED (Dexal)
	WLXP	OEM-WAA	WaveLinx Wireless	WaveLinx Pro Trellix	Enabled	No	Wireless (WaveLinx Pro Wireless Area Controller)	Advance by Signify
	D11	Specified Driver	DALI	Crestron Züm Wireless & SpaceBuilder	Enabled	No	Wired	eldoLED ECOdrive
	L11		0-10V					Advance by Signify
	CLM1	ZBHA-CLM-DIM-ENC	ZigBee	Encelium X Light Management System	Enabled	No	Wireless	Optotronic by eldoLED Advance by Signify
	ENL1	SU-5E-IOT	Enlighted RF	Enlighted	Integrated	Yes	Wireless	Advance by Signify
	LH1	LDE1	EcoSystem	Quantum, Energi Savr Node, Energi TriPak	Enabled	No	Wired	Lutron Hi-Lume
	NLT1	nEPS-60-IO	nLight	nLight	Enabled	No	Wired 	eldoLED ECOdrive, eldoLED SOLOdrive
							Wireless	
	NXE1	NXFM-LV	NX	NX Distributed Intelligence	Enabled	No	Wired 	Optotronic by eldoLED

*Not all compatible networks may be listed. **For performance data and additional control system details please visit the connected solutions manufacturer websites. Primary drivers are listed in bold. To specify a particular driver please consult factory. †Controls systems supplied by others.