

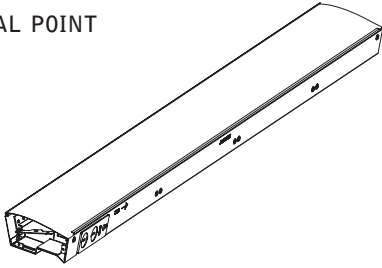
Covert Lite®

FCOLT



FOCAL POINT®

FOCAL POINT



END CAP

KEY



POWER OFF



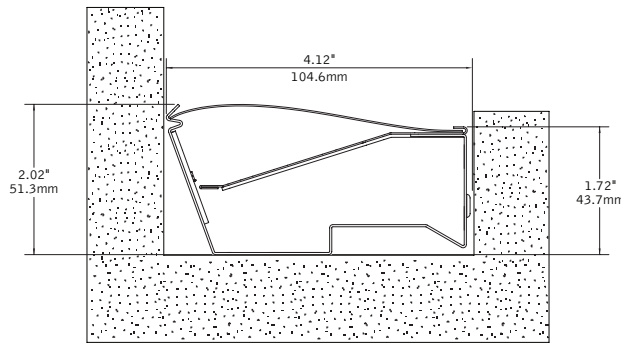
POWER ON



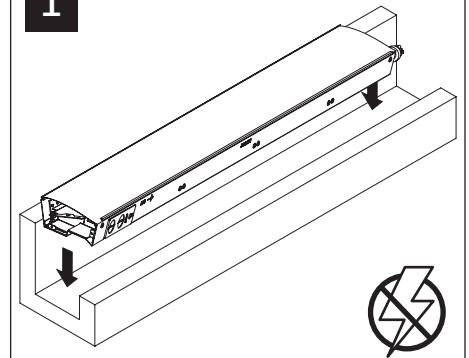
ATTENTION



8" CLEARANCE ABOVE
COVE RECOMMENDED
FOR ALL APPLICATIONS



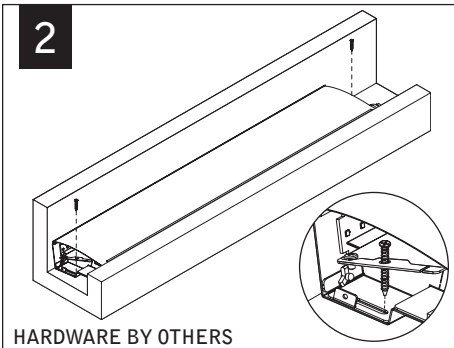
1



OPTIONAL - SECURE HOUSING TO COVE

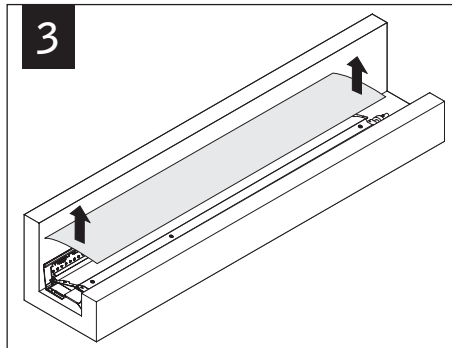
INDIVIDUAL INSTALLATIONS SKIP TO STEP 7

2

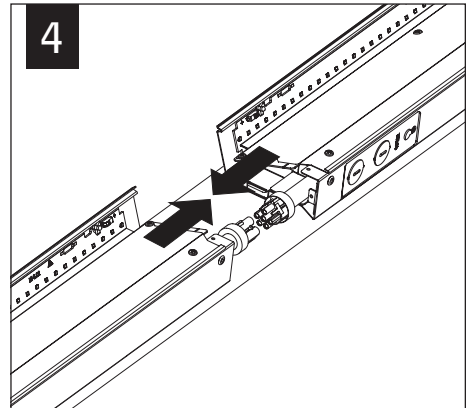


HARDWARE BY OTHERS

3



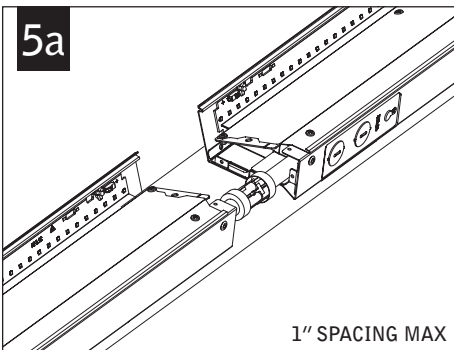
4



OPTIONAL - SPACE HOUSINGS

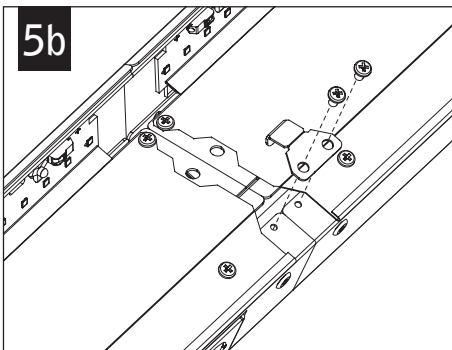
OPTIONAL - JOIN HOUSINGS

5a

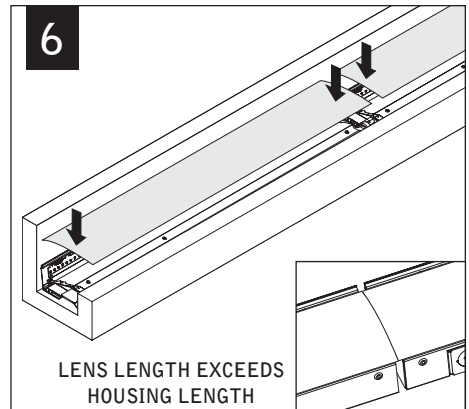


1" SPACING MAX

5b



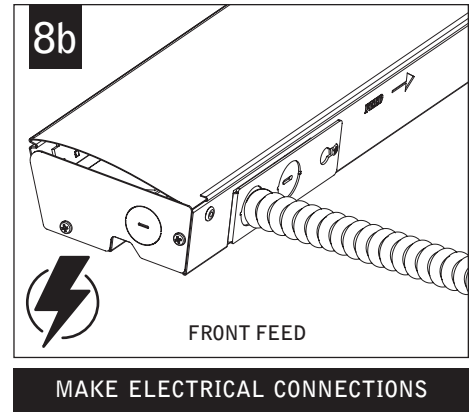
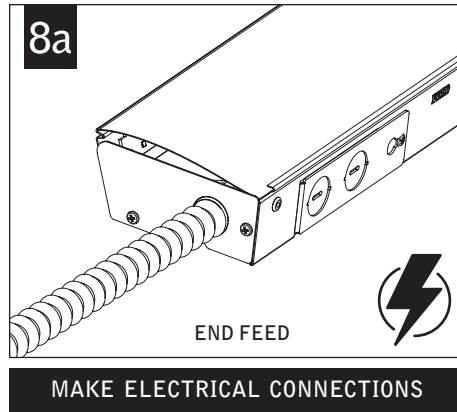
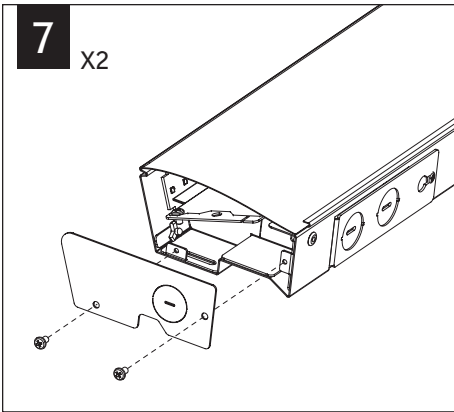
6



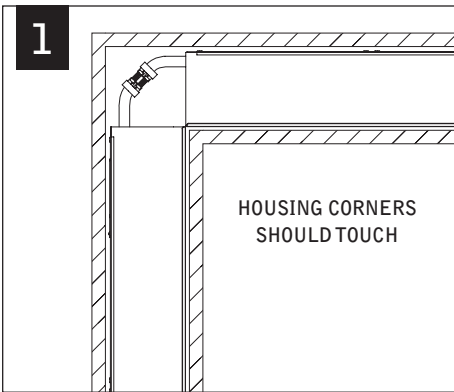
LENS LENGTH EXCEEDS
HOUSING LENGTH

Luminaires must be installed by a qualified electrician (check with local and national codes for proper installation).
To prevent electrical shock, disconnect electrical supply before installation or servicing.

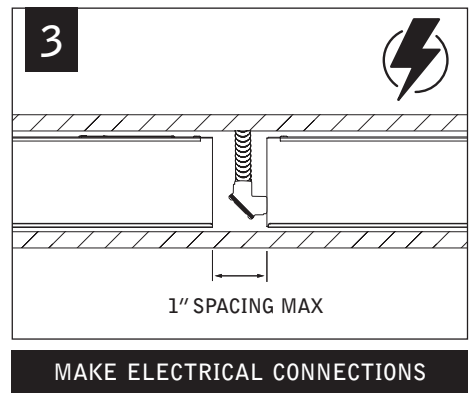
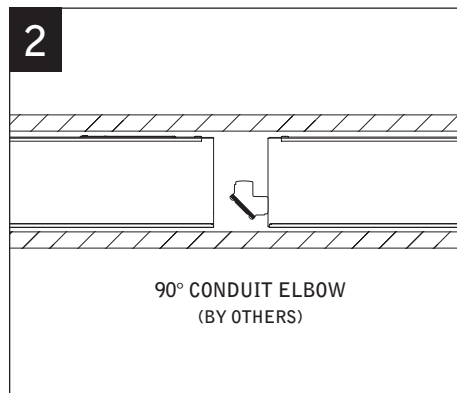
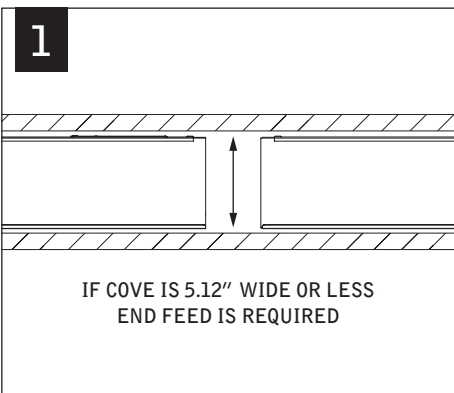
Contractor is responsible for adequately reinforcing walls and/or ceilings to support luminaire weight. Focal Point, LLC accepts no responsibility for inadequately reinforced walls and/or ceilings. The information contained in this drawing is the sole property of Focal Point, LLC. Any reproduction in part or whole without the written permission of Focal Point, LLC is prohibited.



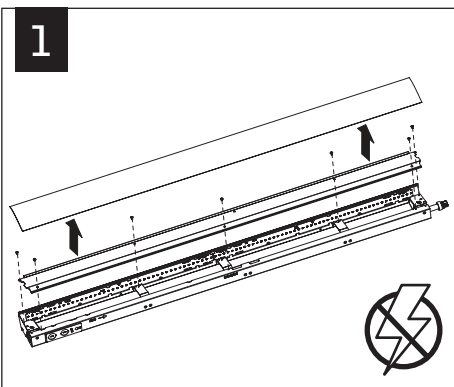
INSIDE CORNERS



ELECTRICAL / EC FEED (MIDDLE OF RUN)



DRIVER SERVICE



Contractor is responsible for adequately reinforcing walls and/or ceilings to support luminaire weight. Focal Point, LLC accepts no responsibility for inadequately reinforced walls and/or ceilings. The information contained in this drawing is the sole property of Focal Point, LLC. Any reproduction in part or whole without the written permission of Focal Point, LLC is prohibited.