

Amica® 2 surface mount/suspended

FAM2 1x2 | 1x4 | 2x2 | 2x4

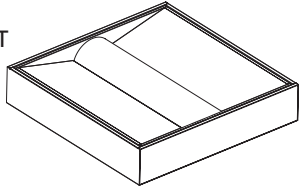


FOCAL POINT®

⚠️ AVOID ALL CONTACT WITH LED SURFACE, LEDs ARE EASILY DAMAGED!

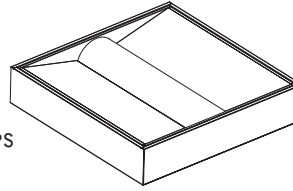
FOCAL POINT

SURFACE MOUNT



SUSPENDED

UNIVERSAL
SUSPENSION
SYSTEM - SHIPS
SEPARATELY



KEY



POWER OFF



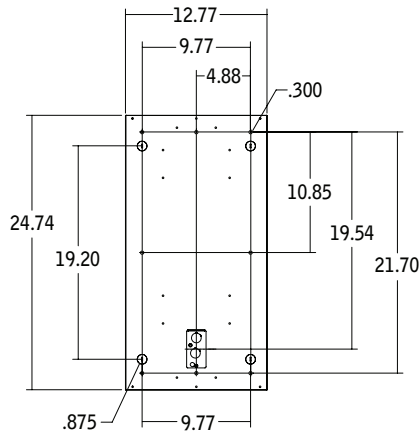
POWER ON



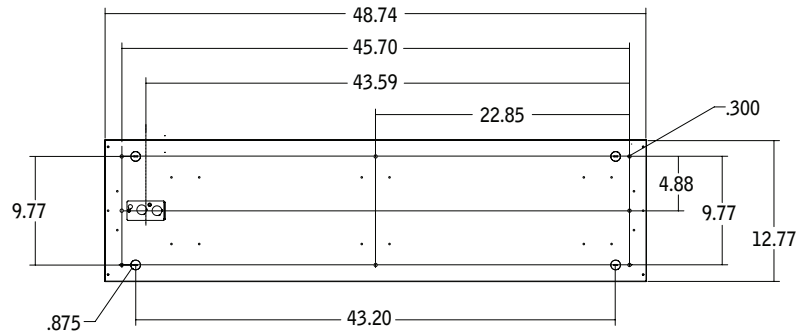
ATTENTION

SURFACE MOUNT

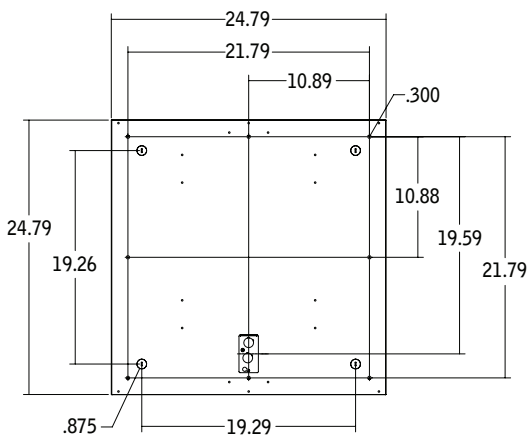
1



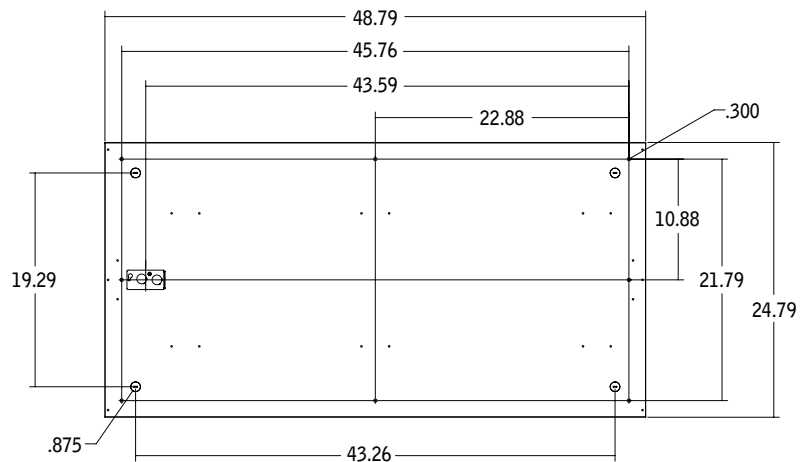
1x2



1x4

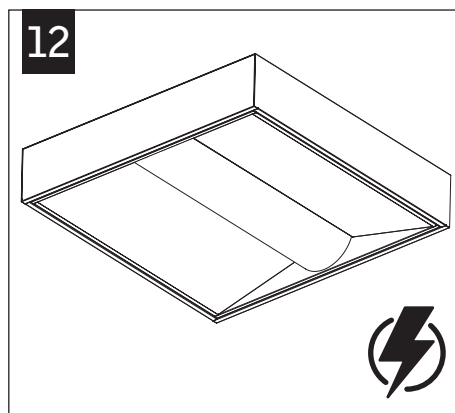
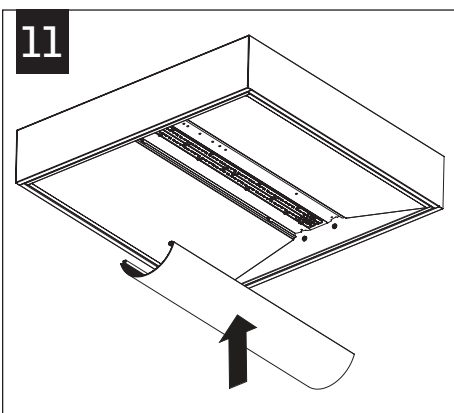
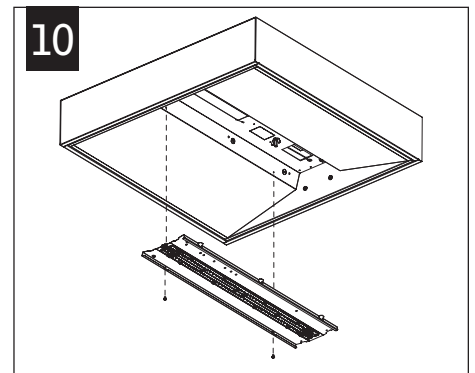
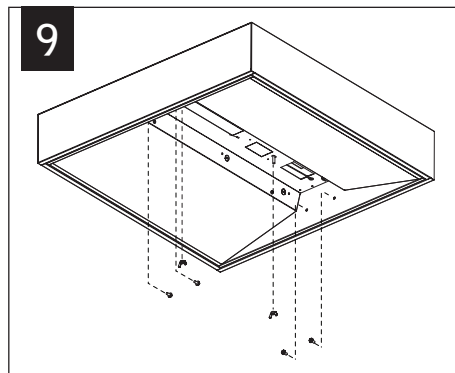
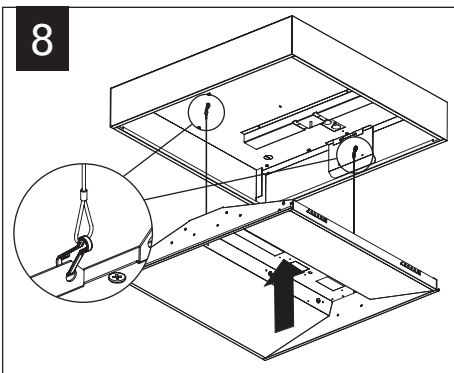
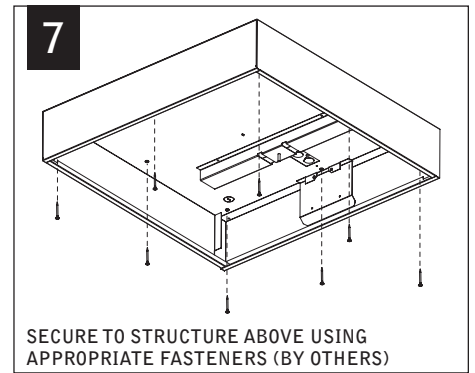
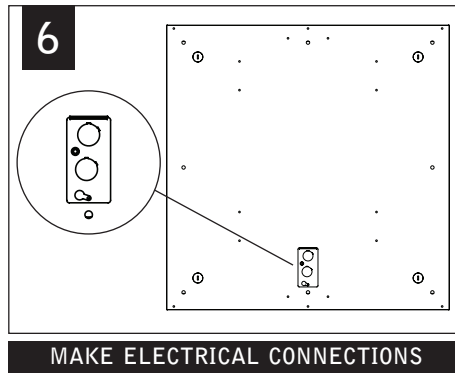
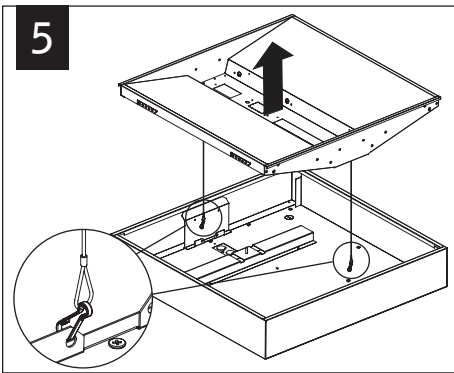
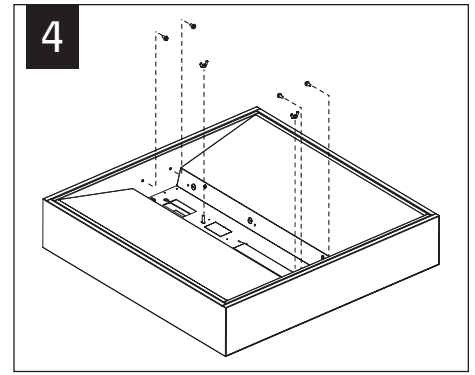
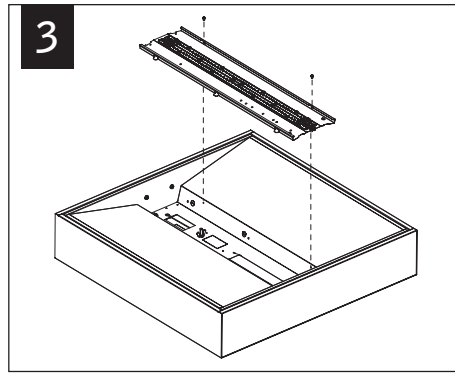
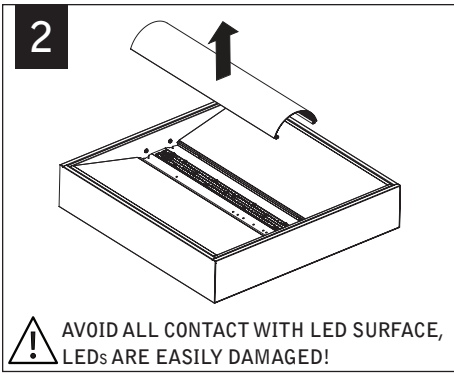


2x2



2x4

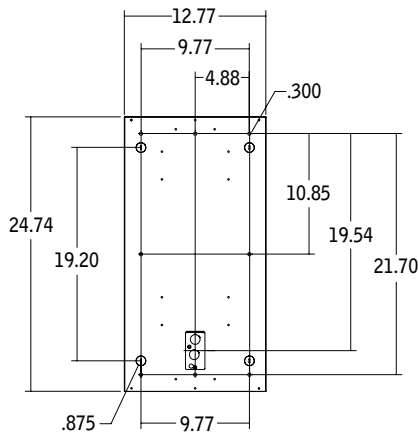
Luminaires must be installed by a qualified electrician (check with local and national codes for proper installation).
To prevent electrical shock, disconnect electrical supply before installation or servicing.



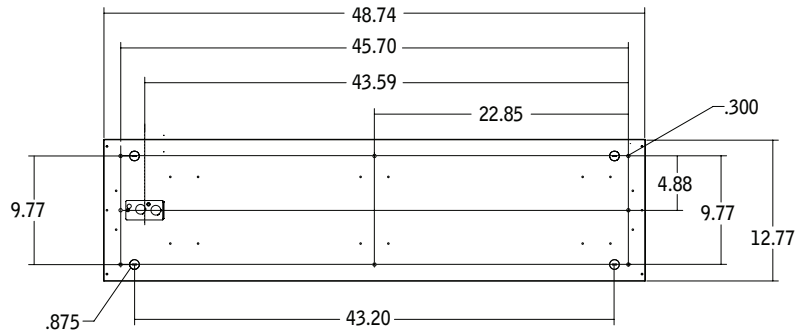
Luminaires must be installed by a qualified electrician (check with local and national codes for proper installation).
To prevent electrical shock, disconnect electrical supply before installation or servicing.

SUSPENDED

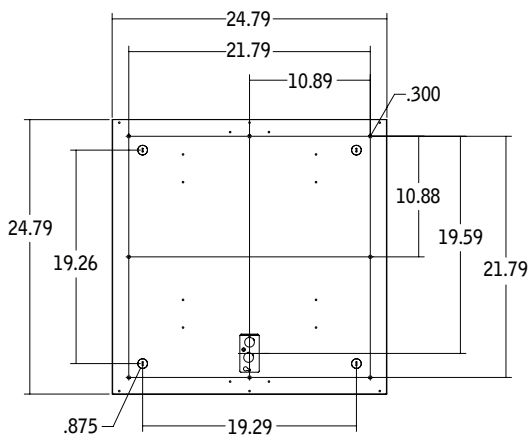
1



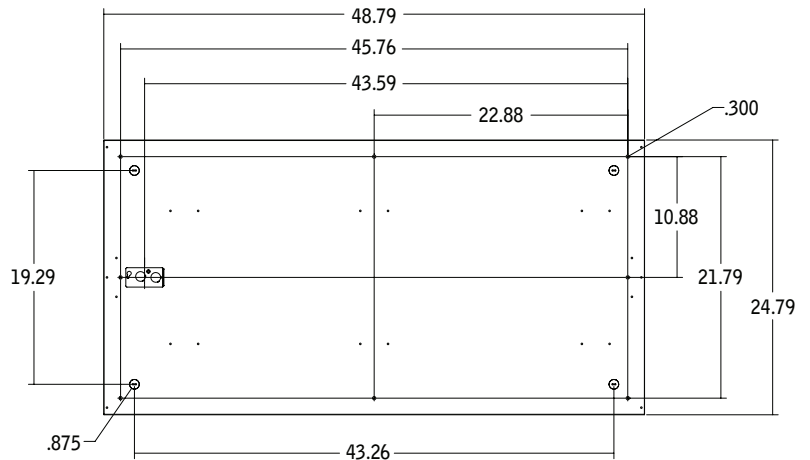
1x2



1x4

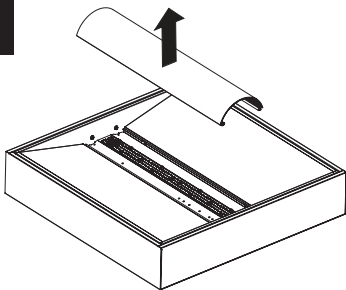


2x2



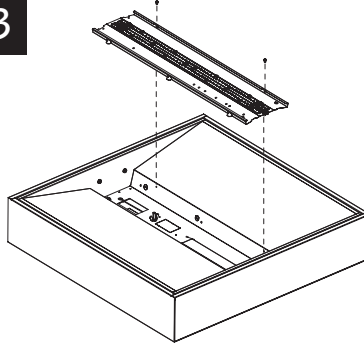
2x4

2

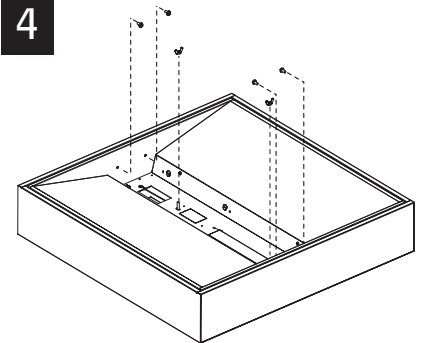


! AVOID ALL CONTACT WITH LED SURFACE, LEDs ARE EASILY DAMAGED!

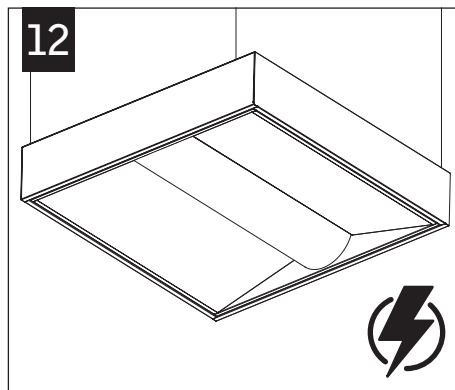
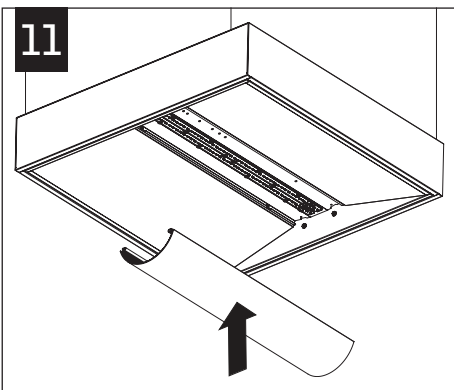
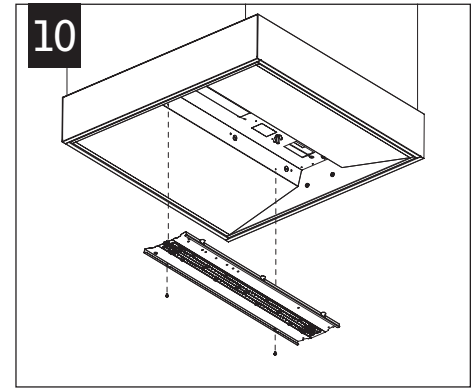
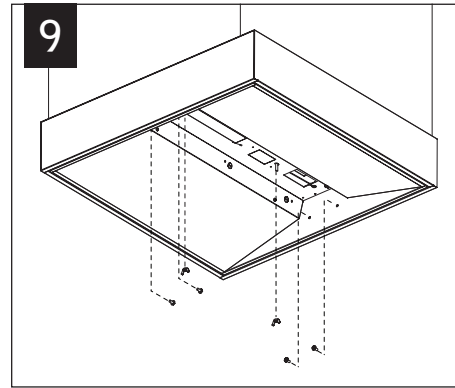
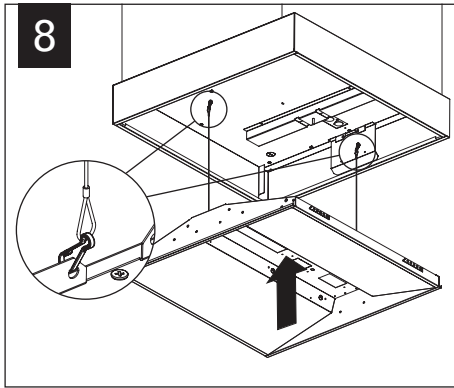
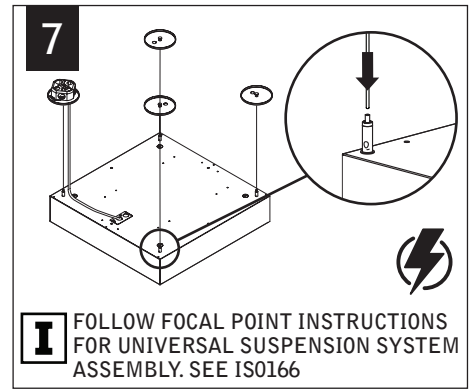
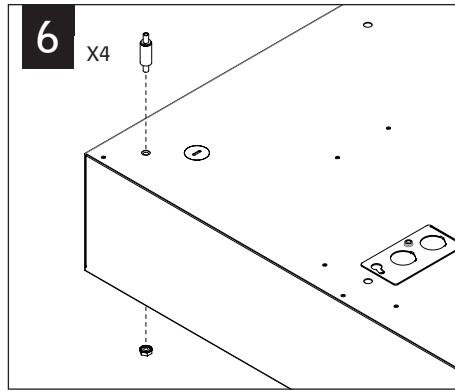
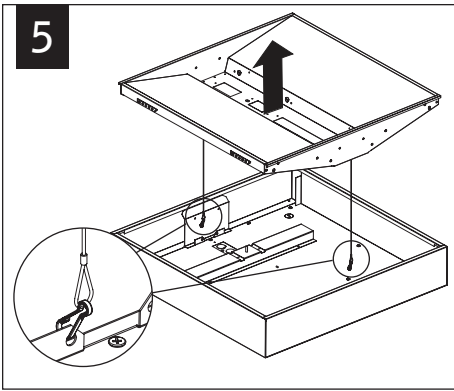
3



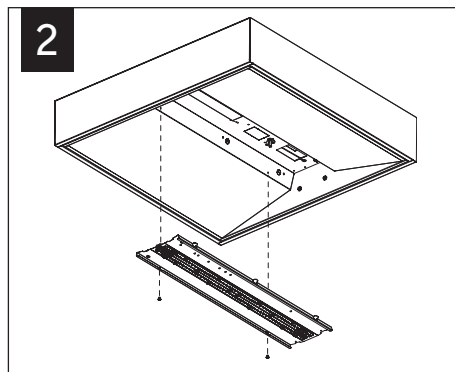
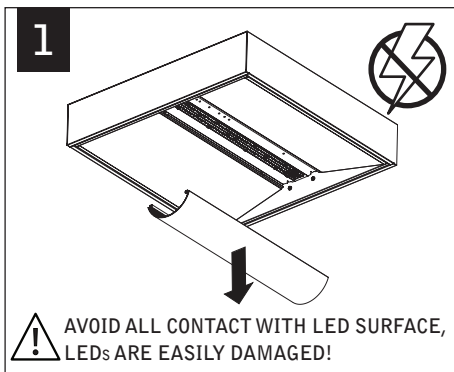
4



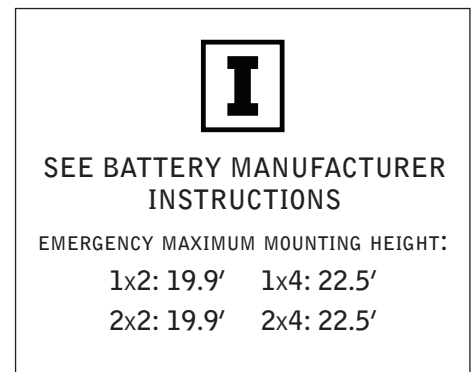
Luminaires must be installed by a qualified electrician (check with local and national codes for proper installation).
To prevent electrical shock, disconnect electrical supply before installation or servicing.



SERVICE



EMERGENCY



Contractor is responsible for adequately reinforcing walls and/or ceilings to support luminaire weight. Focal Point, LLC accepts no responsibility for inadequately reinforced walls and/or ceilings. The information contained in this drawing is the sole property of Focal Point, LLC. Any reproduction in part or whole without the written permission of Focal Point, LLC is prohibited.