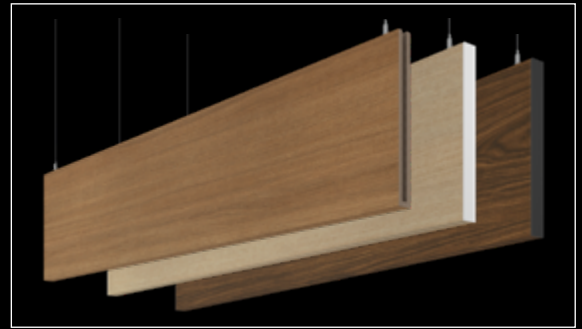
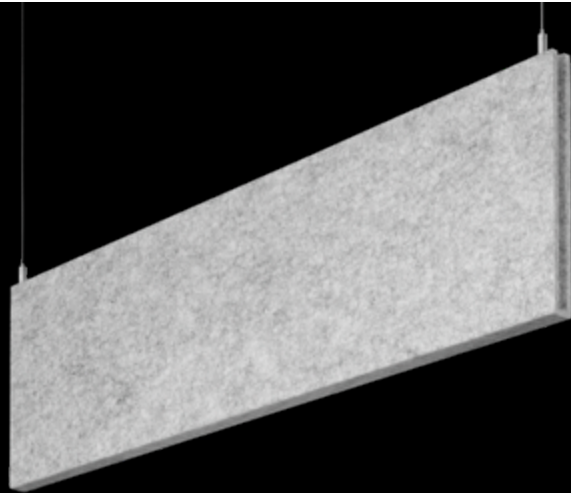


# AirCore® Blade

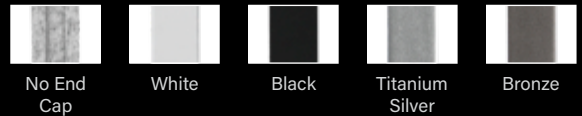
UNLIT ACOUSTIC



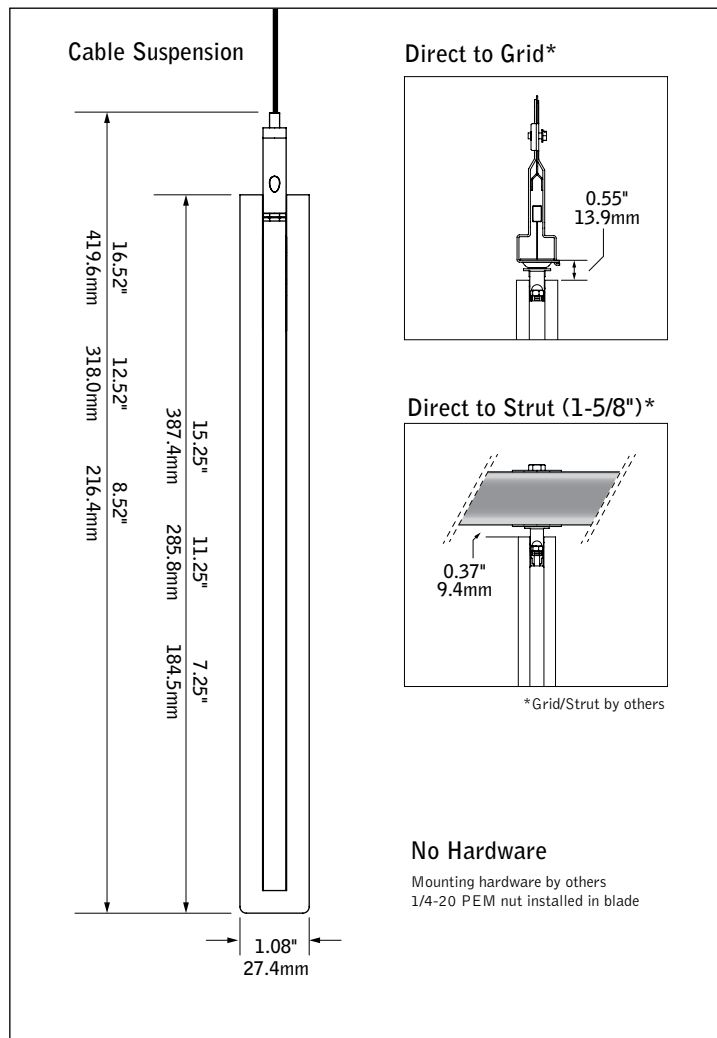
FOCAL POINT®



The Naturals collection - Chestnut/No end cap, Light Oak/White, Walnut/Black shown



## DIMENSIONAL DATA



## FEATURES

Slim, 1" wide, sound absorbing unlit acoustic blade with optional decorative end cap.

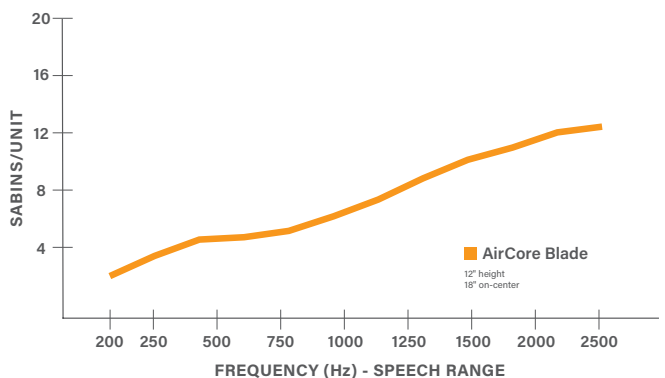
Available in 2' to 8' lengths in 1" increments with 8", 12" or 16" nominal housing heights.

AirCore®: patent pending, eco-friendly technology that maximizes sound absorption and reduces ecological impact.

Acoustic housing available in a wide color palette, ranging from neutral to bold, as well as The Naturals, a series of finishes that exude biophilic beauty.

Pair with Seem 1 Acoustic luminaires to create a coordinated look within interior spaces.

## ACOUSTIC PERFORMANCE



All products were tested in multiple configured arrays. Total absorption will vary based on configuration. Please refer to ASTM C423 reports for more information.

fixture:

project:

## MOUNTING DETAILS

Nominal Length	Actual Length (L)*	Suspension Spacing (S)	End of blade to mounting point (E)
2'	24.75"	21.50"	1.625"
3'	36.75"	33.50"	
4'	48.75"	45.50"	
5'	60.75"	57.50"	
6'	72.75"	69.50"	
7'	84.75"	81.50"	
8'	95.00"	91.75"	

**No Hardware (NH)**  
Mounting hardware by others.  
1/4"-20 PEM nut installed in blade

**Thread Engagement Requirements**  
Minimum Depth: 0.375"  
Maximum Depth: 0.83"  
(Longer length will extend above the height of blade)

\*End caps add .2" to overall length.

## SPECIFICATIONS

### Acoustic Material

<b>Content</b>	Housing material is 100% polyester containing up to 50% of recycled plastic bottles (PET felt) and is moisture resistant.  See page 3 for color offering. Acoustic material colors are subject to change without notice. For the most current color options, please visit <a href="http://focalpointlights.com/acousticsolutions">focalpointlights.com/acousticsolutions</a> . Lead times may vary depending on color.
<b>Cleaning and Care</b>	Remove dust and debris with a clean, soft, lint-free cloth or vacuum
<b>PET Thickness</b>	9mm
<b>Surface Burning Characteristics</b>	ASTM E84 Class A / CAN ULC S102 Flame Spread: 0 Smoke Development Index: 300

### Acoustic Performance

Acoustic testing is performed on all Focal Point acoustic products and varies based on installation and configuration. ASTM C423 test reports can be downloaded from [focalpointlights.com](http://focalpointlights.com). Contact [acoustic.solutions@focalpointlights.com](mailto:acoustic.solutions@focalpointlights.com) for technical questions.

<b>Sabins</b>	Sabins is a unit of sound absorption. It measures how well one square foot of material absorbs sound. Focal Point has averaged the Sabins per unit at four specific frequency bands representing the human speech range (250, 500, 1000, 2000 Hz) to determine the Sabins per product.  8' length, 12" height: 12" OC = 6.78 Sabins 18" OC = 7.35 Sabins 24" OC = 7.61 Sabins
<b>NRC</b>	Noise Reduction Coefficient (NRC) is the average of how absorptive a material is at various frequencies within the human speech frequency range. Two materials with the same rating may not perform the same in application. Typically, an NRC of 0 indicates perfect reflection, and an NRC of 1 is designated as perfect absorption. However, based on the testing methodology and depending upon the material's shape or surface area products can test at an NRC greater than 1.  NRC = 0.90

### Labels

Suitable for Dry Locations, indoor use only.

### Weight

12" height, 4' length = 5.75lbs. 12" height, 6' length = 8.63lbs. 12" height, 8' length = 11.5lbs.

### Finishes - Canopy & Metal End Cap

Polyester powder coat applied over a multi-stage pre-treatment. Canopy white as standard for suspended mounting.

### Reliability

At Focal Point, our products are designed to stand the test of time. Each product is engineered using superior components, manufactured with the utmost care and rigorously tested.

### Warranty

1-year limited warranty.

## ORDERING

<b>Series</b>	<b>AUABS</b>
AirCore Blade	AUABS
<b>Blade Height</b> (heights are nominal)	
8"	8"
12"	12"
16"	16"

### Mounting

#### Suspended

(Mounting hang kits ship with order)

24" Cable Suspension	J24__
48" Cable Suspension	J48__
96" Cable Suspension	J96__
120" Cable Suspension	J120__

(Specify canopy color White (WH), Black (BK) or Titanium Silver (TS). Example: J24WH.)  
(Consult factory for sloped ceiling applications)

#### Surface Mounted

Direct/Flush to Grid	DTG
Direct/Flush to Strut	DTS

#### Hardware by others

(Mounting hardware provided by others)

No Hardware	NH
-------------	----

#### Acoustic Panel Color

See page 3 for color offering

#### End Caps

No End Caps	NC
Black End Caps	BK
Bronze End Caps	BZ
Titanium Silver End Caps	TS
White End Caps	WH

#### Blade Length

(Baffles are nominal in length. Baffles cannot be cut to length or joined together in field.)

Specify length in 1" increments  
from 2' to 8'      \_ft\_in



Options in orange qualify for the Quickship program. Five color options. Available in 4', 6', 8' lengths. Maximum linear feet is 200' of acoustic products per order. Refer to Quickship Guide for complete details.

# Acoustic Materials



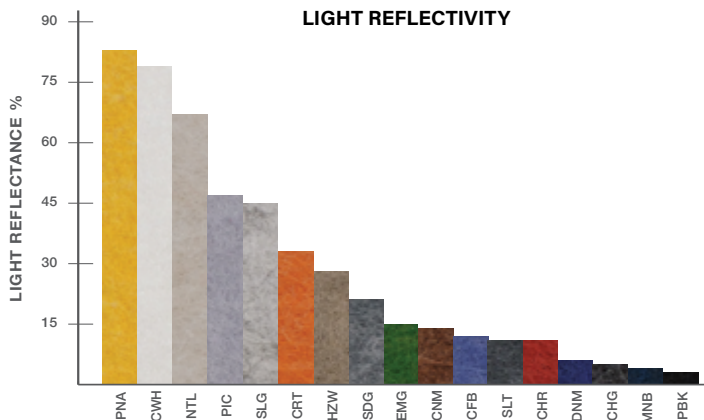
## THE NATURALS (25% SCALE)



## STANDARD PET



## PREMIUM PET



### 9mm PET Felt Focal Point, LLC

Final Assembly: Chicago, Illinois, USA  
 Life Expectancy: 30 Year(s)  
 End of Life Options: Salvageable/Reusable in its Entirety, Recyclable (100%)

**Ingredients:**

Polyethylene terephthalate: PET; N, N'-Ethylene bisstearamide; Octadecanamide, N,N'-1,2-ethanediylbis-; Stearic Acid; Stearic Acid; Antioxidant 1076; Benzenepropanoic acid, 3,5-bis(1,1-dimethylethyl)-4-hydroxy-, octadecyl ester; Antioxidant KY-405; Benzenamine, 4-(1-methyl-3-phenylethyl)-N-[4-(1-methyl-1-phenylethyl)phenyl]; Titanium Dioxide; Titanium dioxide

Living Building Challenge Criteria: Compliant

**I-13 Red List:**

- LBC Red List Free
- LBC Red List Approved
- Declared

% Disclosed: 100% at 100ppm  
 VOC Content: Not Applicable

**I-10 Interior Performance:** CDPH Standard Method v11-2010  
**I-14 Responsible Sourcing:** Not Applicable

FPL-0001  
 EXP. 01 MAR 2024  
 Original Issue Date: 2020

INTERNATIONAL LIVING FUTURE INSTITUTE™ [living-future.org/declare](http://living-future.org/declare)