

# ID+ 6" Module & Trim

LC6 | LC66



FOCAL POINT®

## BEFORE YOU BEGIN

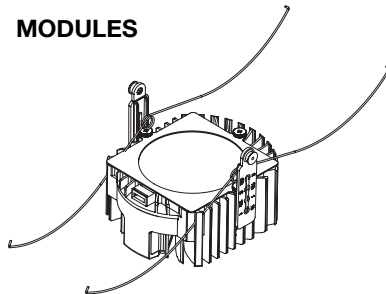
- Luminaires must be installed by a qualified electrician (check with local and national codes for proper installation).
- To prevent electrical shock, disconnect electrical supply before installation or servicing.
- Contractor is responsible for adequately reinforcing walls and/or ceilings to support fixture weight.
- Focal Point, LLC accepts no responsibility for inadequately reinforced walls and/or ceilings.
- The information contained in this drawing is the sole property of Focal Point, LLC. Any reproduction in part or whole without the written permission of Focal Point, LLC is prohibited.

## INSTRUCTION KEY

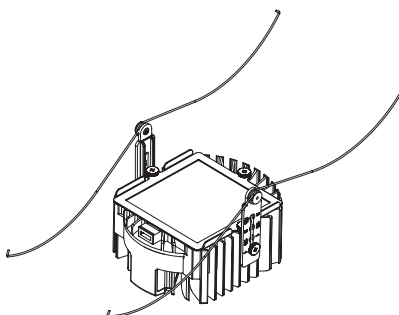
- ATTENTION
- SEE ADDITIONAL INSTRUCTIONS
- POWER OFF
- POWER ON

## COMPONENT KEY

### MODULES

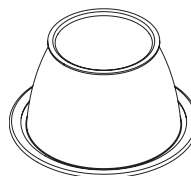


ROUND MODULE

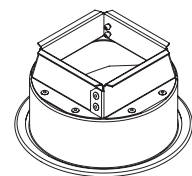


SQUARE MODULE

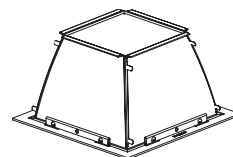
### TRIMS



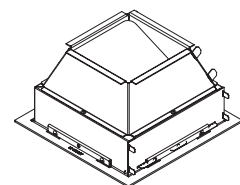
ROUND DOWNLIGHT



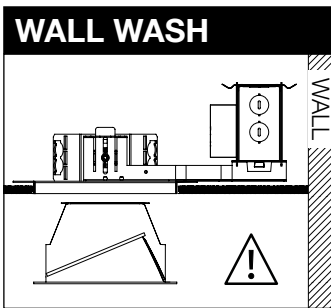
ROUND WALL WASH



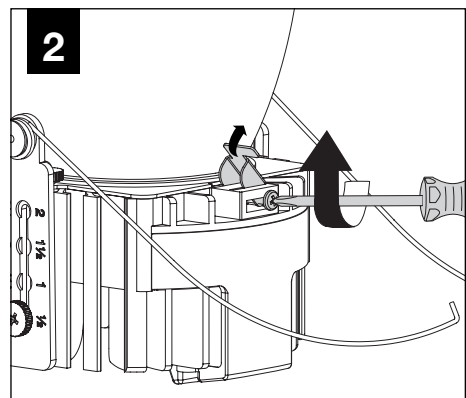
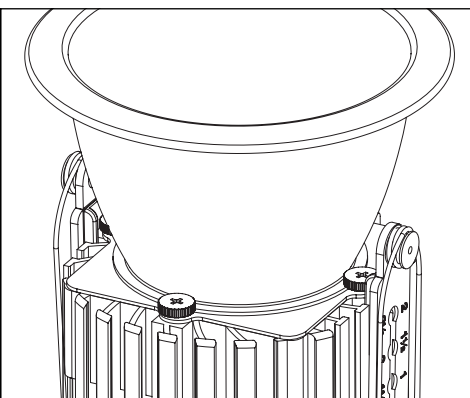
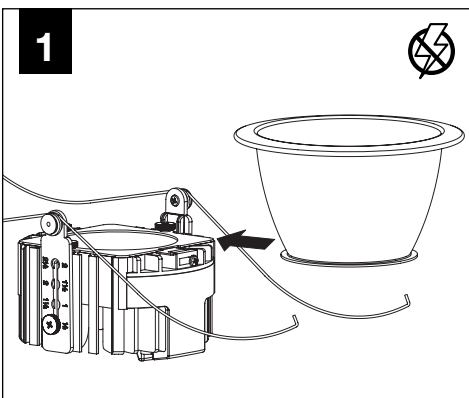
SQUARE DOWNLIGHT



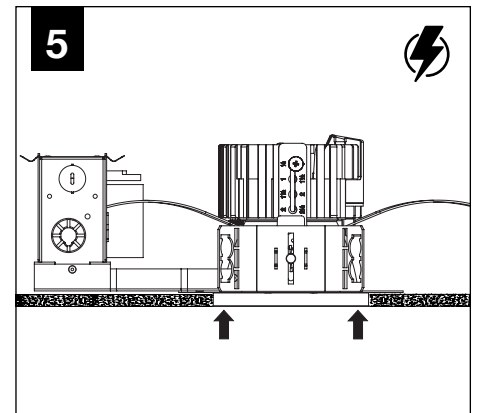
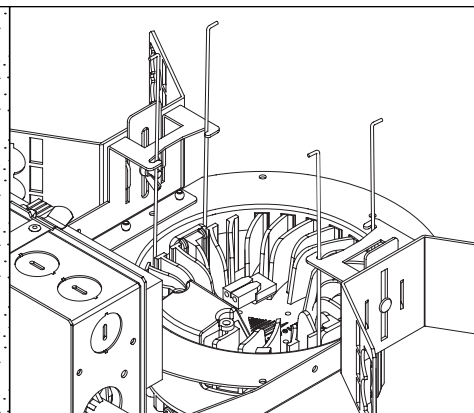
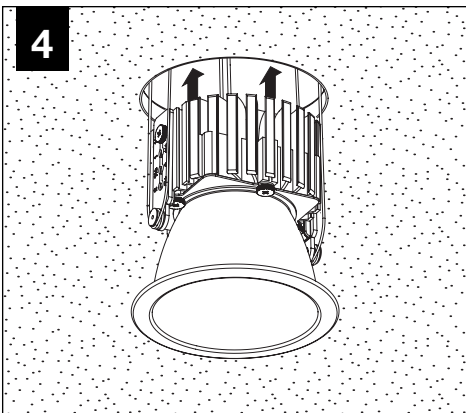
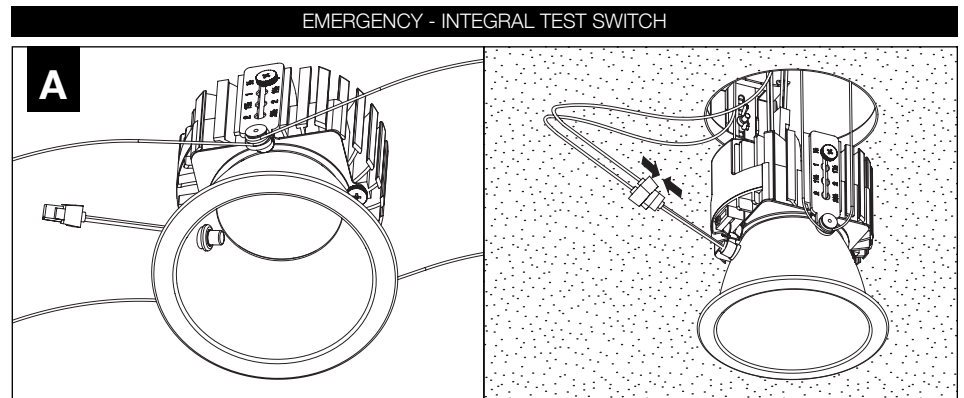
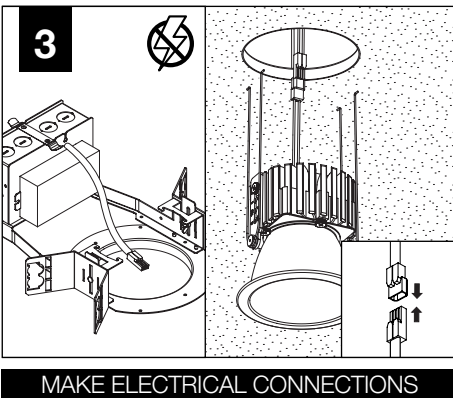
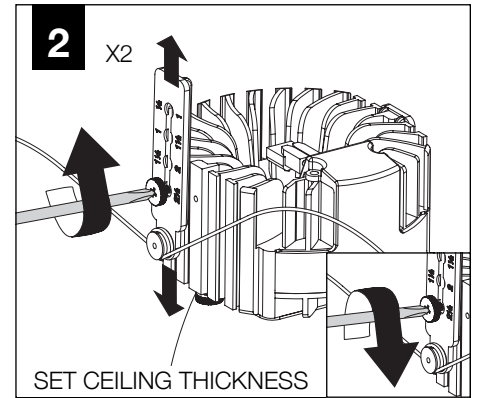
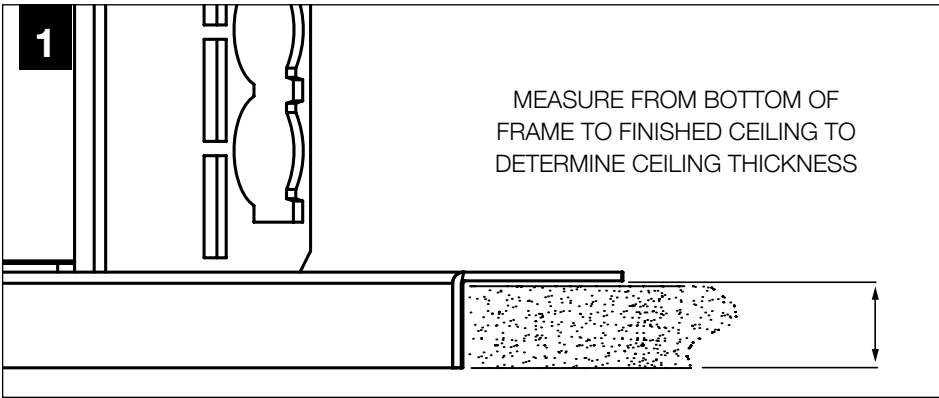
SQUARE WALL WASH



## TRIM INSTALLATION



## MODULE INSTALLATION



## TRIM/MODULE REMOVAL

