

# ID+ 2.5" Round Adjustable

FLCS2-RO



FOCAL POINT®

## BEFORE YOU BEGIN

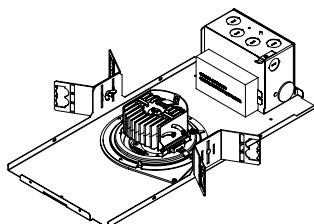
- Luminaires must be installed by a qualified electrician (check with local and national codes for proper installation).
- To prevent electrical shock, disconnect electrical supply before installation or servicing.
- Contractor is responsible for adequately reinforcing walls and/or ceilings to support fixture weight.
- Focal Point, LLC accepts no responsibility for inadequately reinforced walls and/or ceilings.
- The information contained in this drawing is the sole property of Focal Point, LLC. Any reproduction in part or whole without the written permission of Focal Point, LLC is prohibited.

## INSTRUCTION KEY

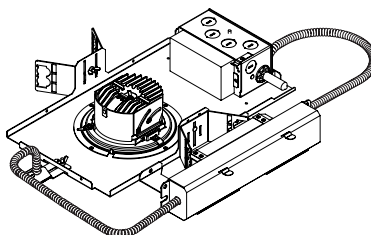
- ATTENTION
- SEE ADDITIONAL INSTRUCTIONS
- POWER OFF
- POWER ON
- LEVEL

## COMPONENT KEY

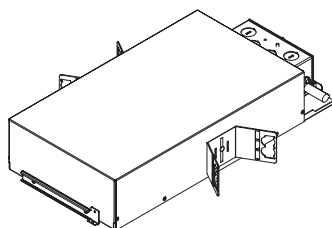
### HOUSING



T-Housing

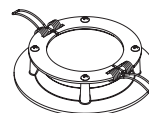


Emergency - Remote Test Switch



IC & CP Housing

### TRIM



Solite Lens

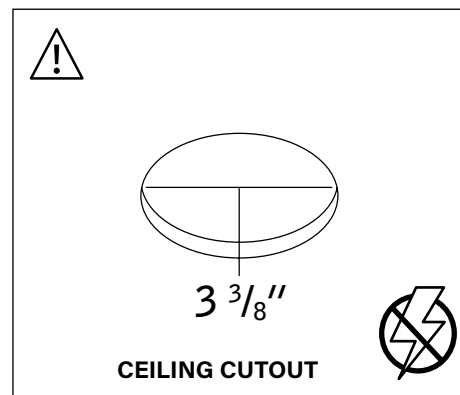
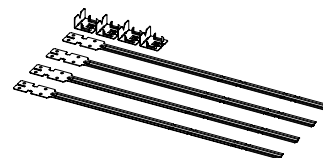


Spot Optic,  
no lens  
0° - 15° tilt

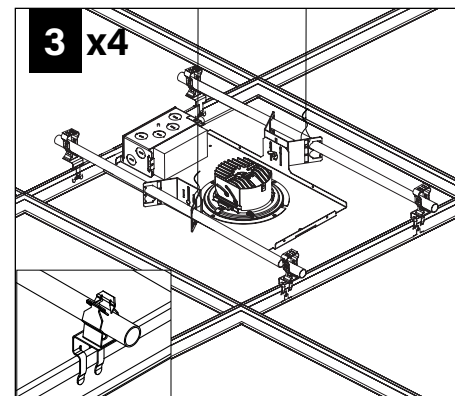
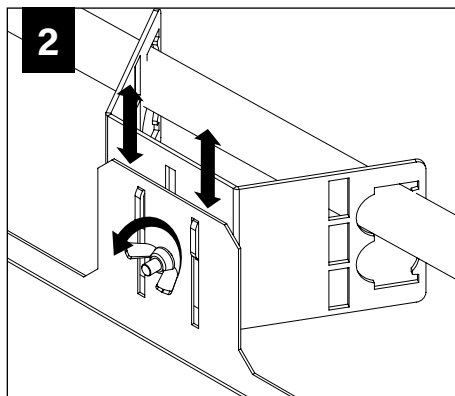
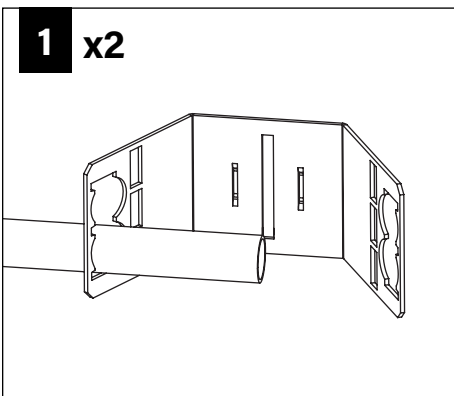


Spot Optic,  
no lens  
15° - 35° tilt

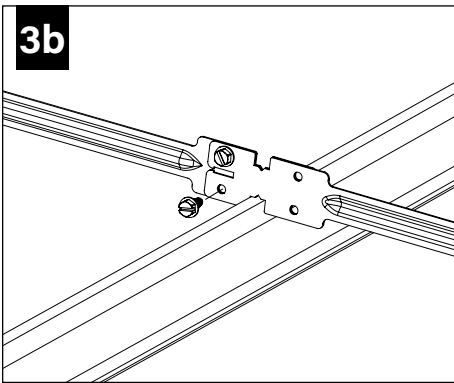
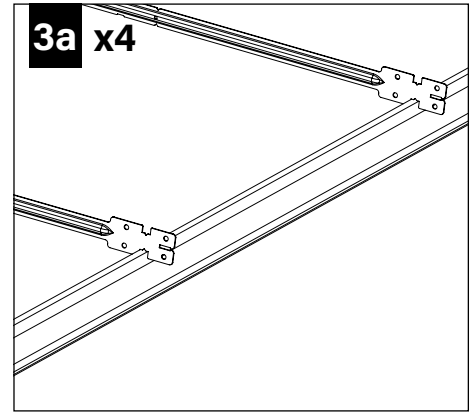
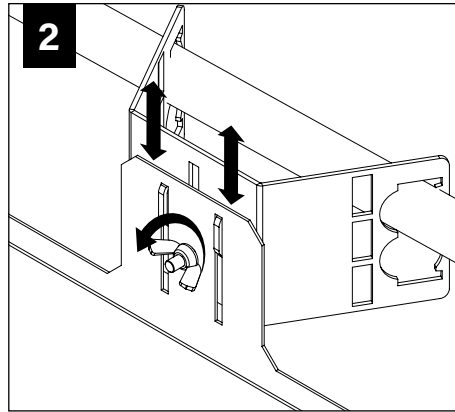
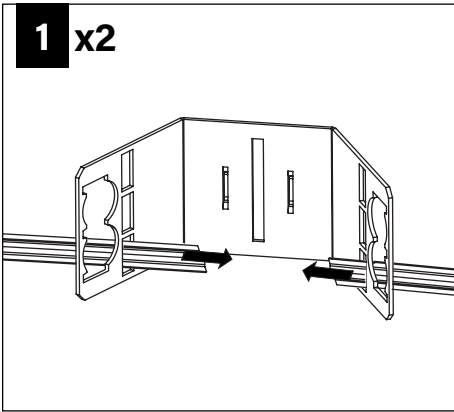
### OPTIONAL BAR HANGERS SOLD SEPARATELY



## GRID - 1/2" CONDUIT & CLIP (BY OTHERS)



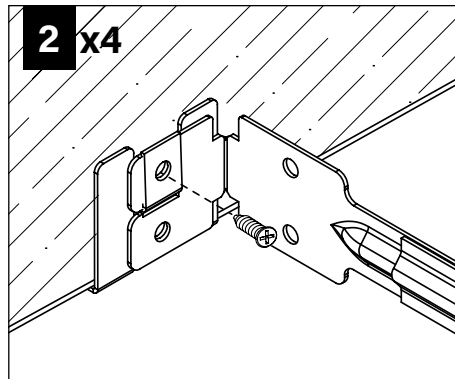
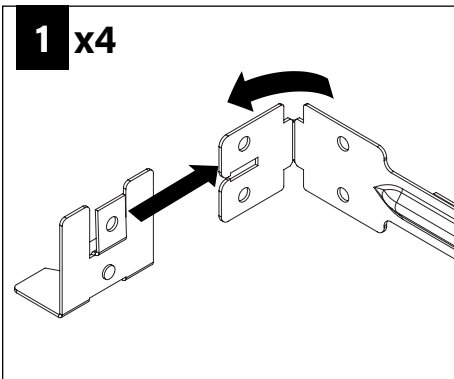
**GRID - BAR HANGERS (SOLD SEPARATELY)**



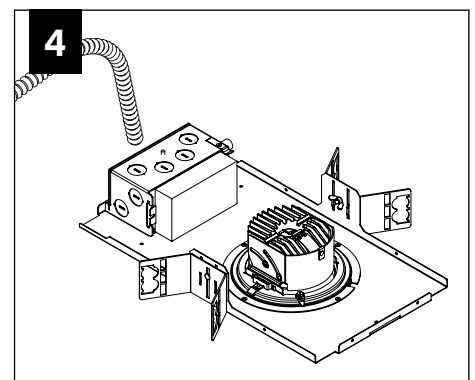
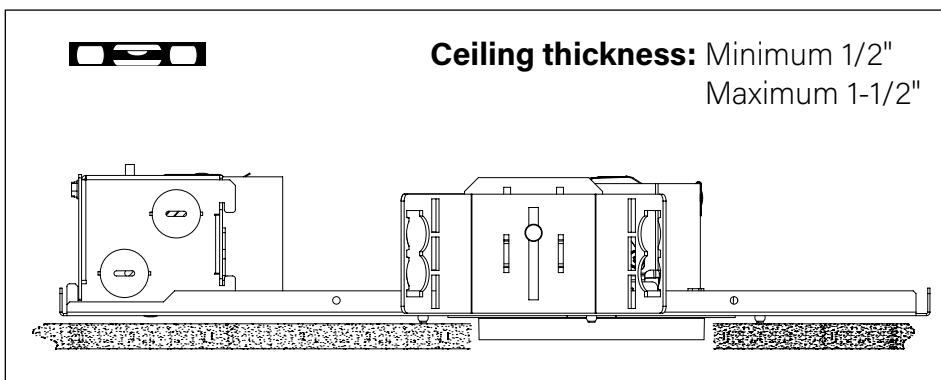
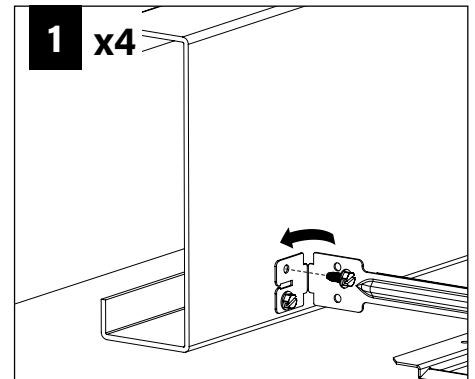
Multiple Luminaires Only

**DRYWALL - BAR HANGERS (SOLD SEPARATELY)**

**WOOD STUDS**



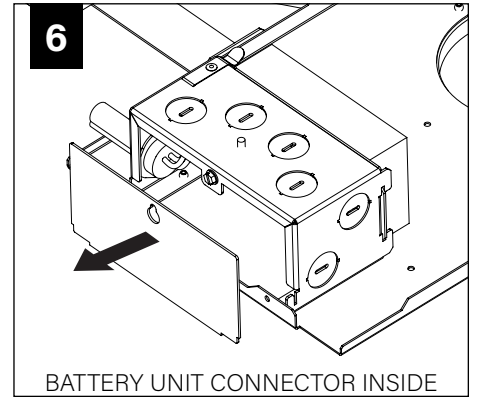
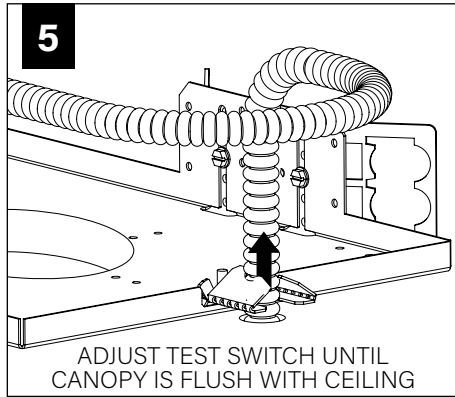
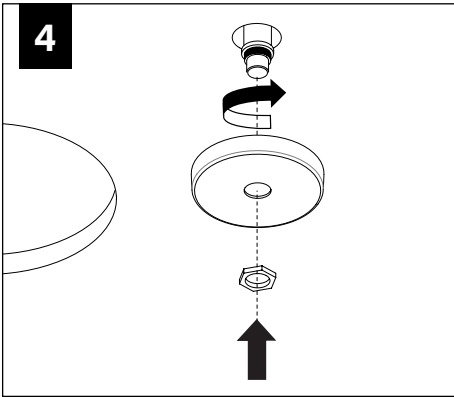
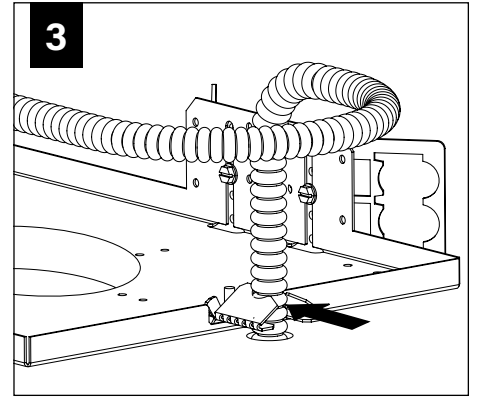
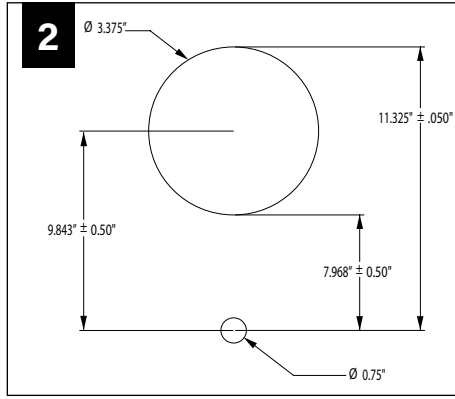
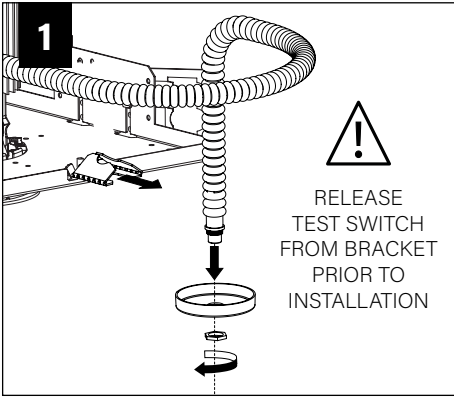
**METAL STUDS**



**MAKE ELECTRICAL CONNECTION**

# EMERGENCY - REMOTE TEST SWITCH

**▲ ABOVE CEILING ACCESS REQUIRED**



**7**

**I**

SEE  
**BATTERY MANUFACTURER**  
INSTRUCTIONS

**▲**

**DO NOT MATE BATTERY  
UNIT CONNECTOR  
UNTIL INSTALLATION  
IS COMPLETE AND A.C.  
POWER IS SUPPLIED**

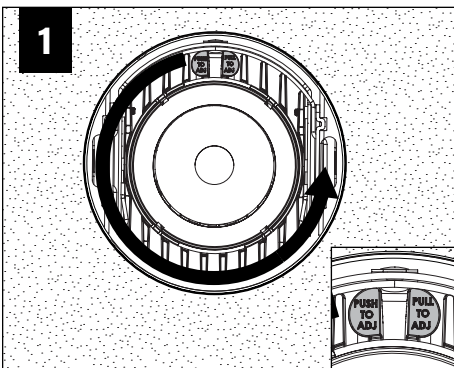
**EM - MOUNTING HEIGHT**

**I**

SEE  
**BATTERY MANUFACTURER**  
INSTRUCTIONS

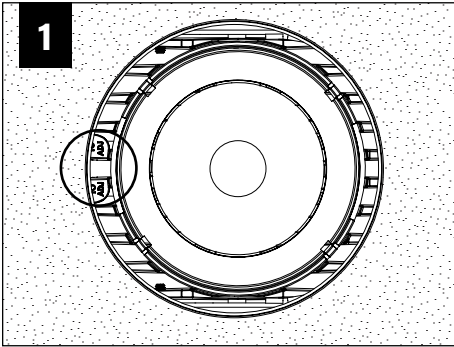
Emergency maximum mounting height:  
Clear Diffuse & White - 17.71'  
Warm Diffuse & Black - 17.15'

## ROTATE

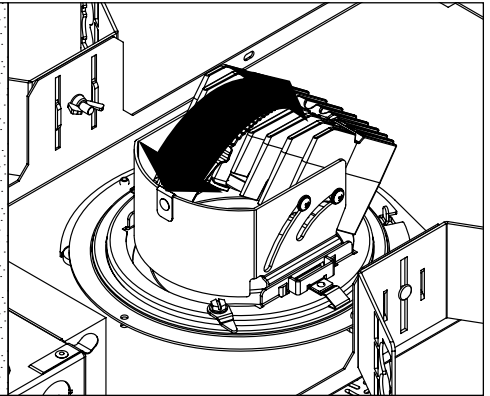
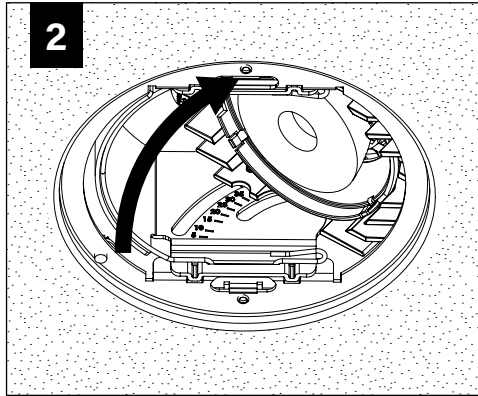


USE ADJUSTMENT HANDLE  
TO ROTATE UP TO 362°

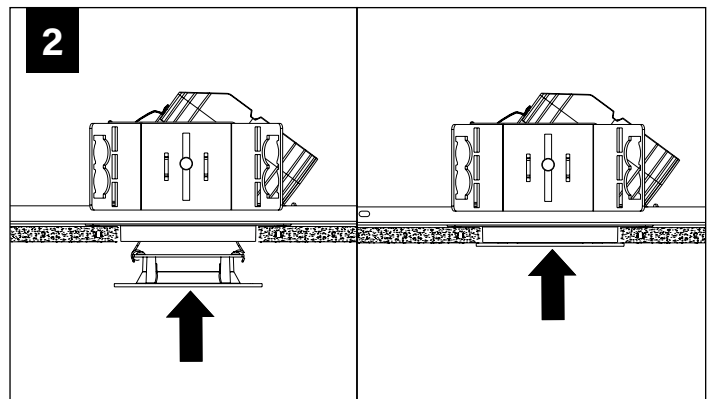
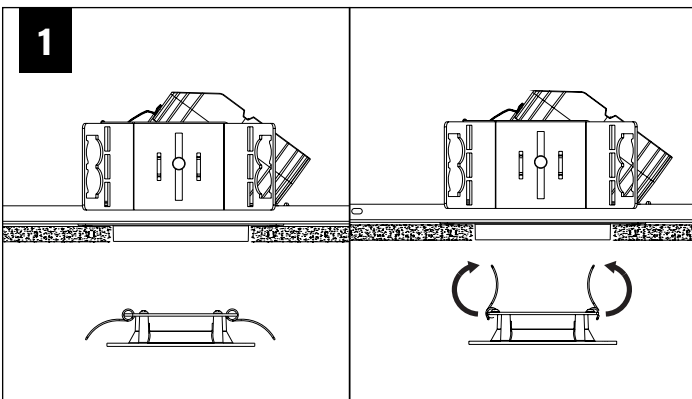
## TILT



USE ADJUSTMENT HANDLE  
TO TILT UP TO 35°



## TRIM INSTALLATION

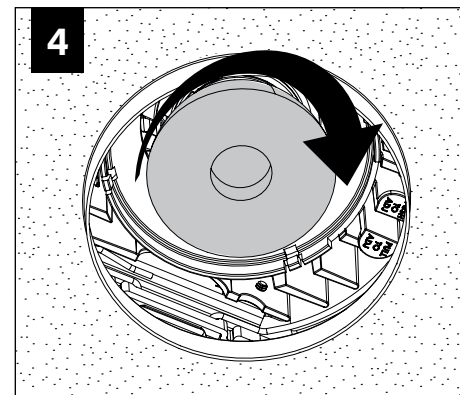
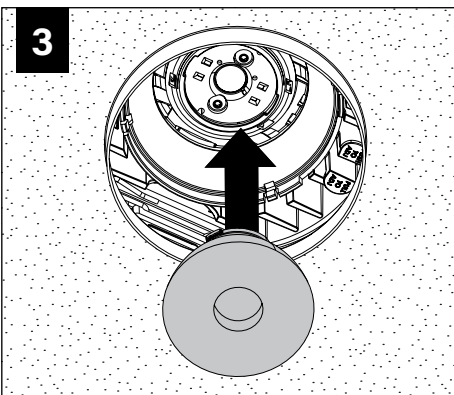
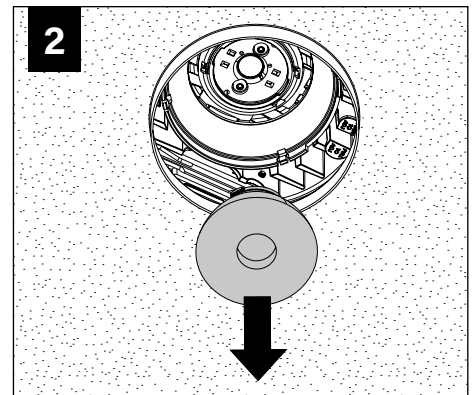
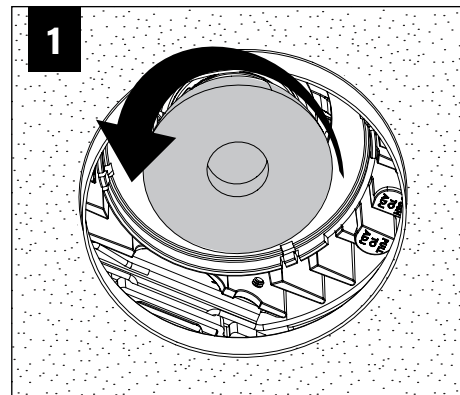


## OPTIC SERVICE



**DISTRIBUTION KITS** INCLUDE AN  
OPTIC AND REFLECTOR ASSEMBLY.

**BOTH ITEMS MUST BE USED**  
TO ACHIEVE SPECIFIED  
DISTRIBUTION.

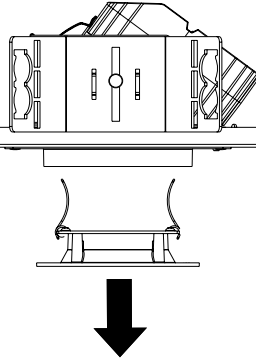


## DRIVER SERVICE

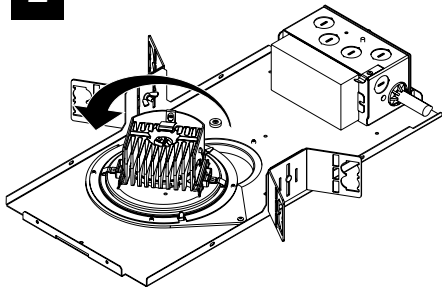


**TO PREVENT ELECTRICAL SHOCK,  
DISCONNECT ELECTRICAL SUPPLY  
BEFORE SERVICING**

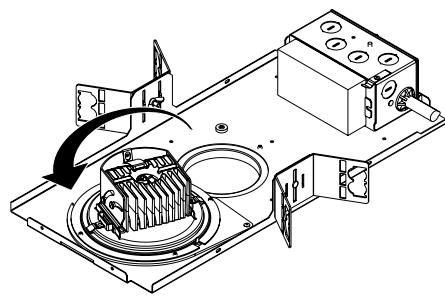
**1**



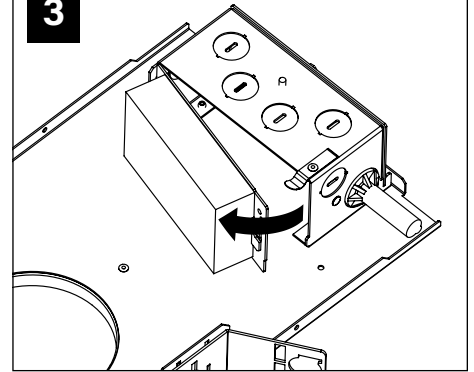
**2**



ROTATE ADJUSTMENT MODULE CLEAR OF CEILING OPENING. MODULE HELD IN PLACE MAGNETICALLY.



**3**



**4**

