



## BEFORE YOU BEGIN

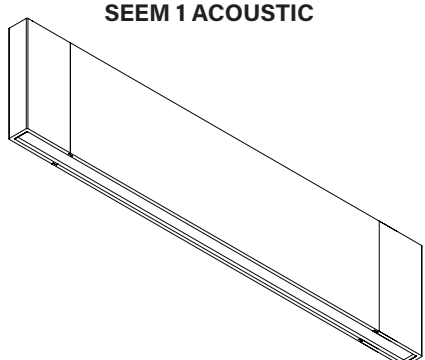
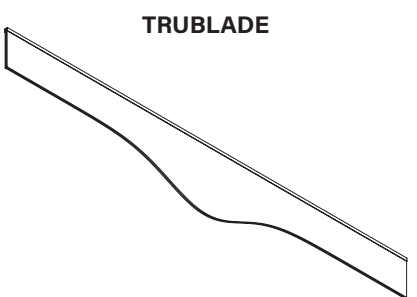
- Configurations are run specific, please consult factory drawings before beginning installation.
- Luminaires must be installed by a qualified electrician (check with local and national codes for proper installation).
- To prevent electrical shock, disconnect electrical supply before installation or servicing.
- Contractor is responsible for adequately reinforcing walls and/or ceilings to support fixture weight.
- Focal Point, LLC accepts no responsibility for inadequately reinforced walls and/or ceilings.
- The information contained in this drawing is the sole property of Focal Point, LLC. Any reproduction in part or whole without the written permission of Focal Point, LLC is prohibited.

## INSTRUCTION KEY

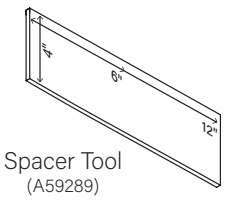
- ATTENTION
- SEE ADDITIONAL INSTRUCTIONS
- POWER OFF
- POWER ON

## COMPONENT KEY

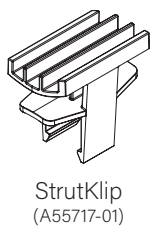
### FOCAL POINT



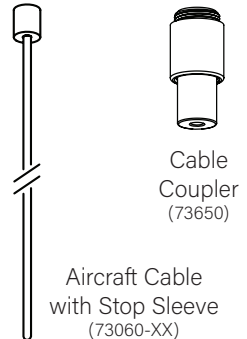
### INSTALLATION TOOL SHIPPED IN PACKAGING



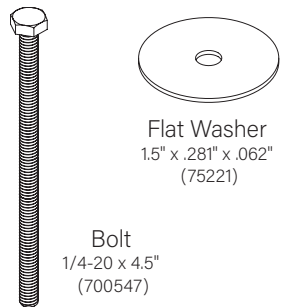
### STRUTKLIP HARDWARE SHIPPED IN BAG



### AIRCRAFT CABLE SUSPENSION HARDWARE SHIPPED IN BAG



### DIRECT TO STRUT HARDWARE SHIPPED IN BAG



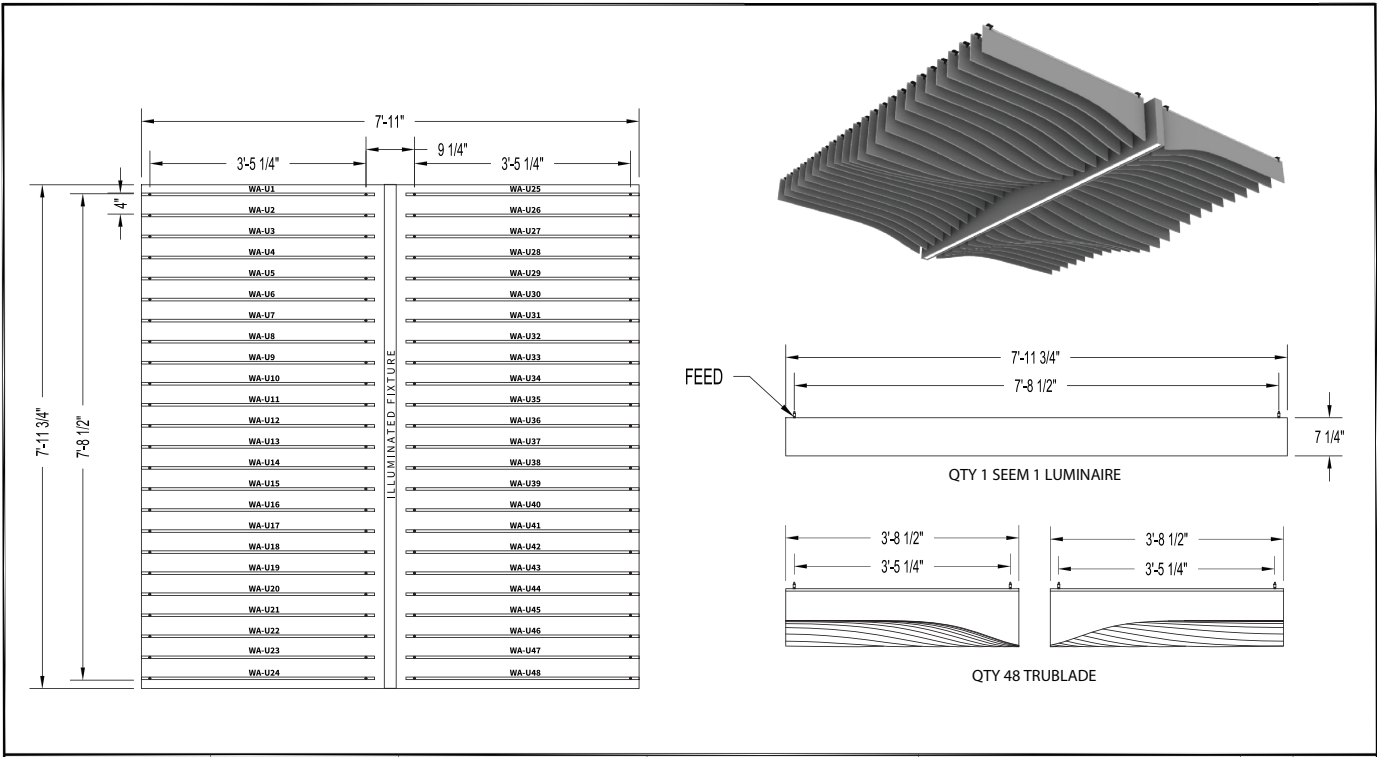
**SEEM 1 ACOUSTIC LUMINAIRES MUST BE INSTALLED PRIOR TO INSTALLING TRUBLADE BAFFLES**

**SEEM 1 ACOUSTIC DIRECT TO STRUT INSTALLATION - PG 4**  
**SEEM 1 ACOUSTIC AIRCRAFT CABLE INSTALLATION - PG 5**  
**TRUBLADE STRUTKLIP INSTALLATION - PG 6**  
**TRUBLADE MAGNET INSTALLATION - PG 7**  
**TRUBLADE AIRCRAFT CABLE INSTALLATION - PG 8**  
**MULTIPLE ARRAY INSTALLATION - PG 9**

# FACTORY DRAWINGS



**CONSULT FACTORY DRAWINGS FOR MOUNTING LOCATIONS AND OTHER INSTALLATION DIMENSIONS**



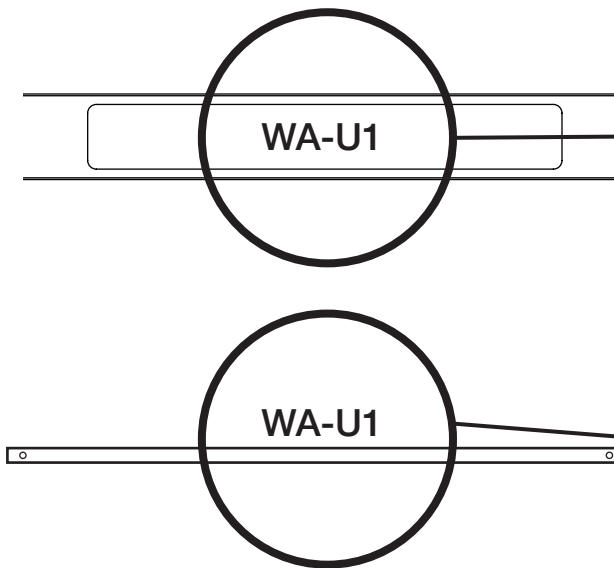
NOTE: MATCH TYPE AND KEY ON FIXTURE CARTON/PACKAGING WITH THE TYPE AND EACH KEY ON THIS DRAWING TO DETERMINE FINAL INSTALLATION LOCATION. THE RIGHT TO MAKE MECHANICAL CHANGES IS RESERVED BY FOCAL POINT, L.L.C. WHICH DO NOT CHANGE OVERALL FIXTURE PERFORMANCE OR APPEARANCE. CONTRACTOR IS RESPONSIBLE FOR ADEQUATELY REINFORCING WALLS AND/OR CEILING TO SUPPORT FIXTURE WEIGHT. FOCAL POINT, L.L.C. ACCEPTS NO RESPONSIBILITY FOR INADEQUATELY REINFORCED WALLS AND/OR CEILING. FURTHER LIMITATIONS ARE SET FORTH IN FOCAL POINT'S TERMS AND CONDITIONS INCLUDING, WITHOUT LIMITATION, ITS LIMITED WARRANTY LOCATED ON ITS WEBSITE, WHICH ARE INCORPORATED BY REFERENCE HEREIN.

**MECHANICAL & ELECTRICAL**

REV: **WW** DATE: 12/22/22  
PAGE: 222/999

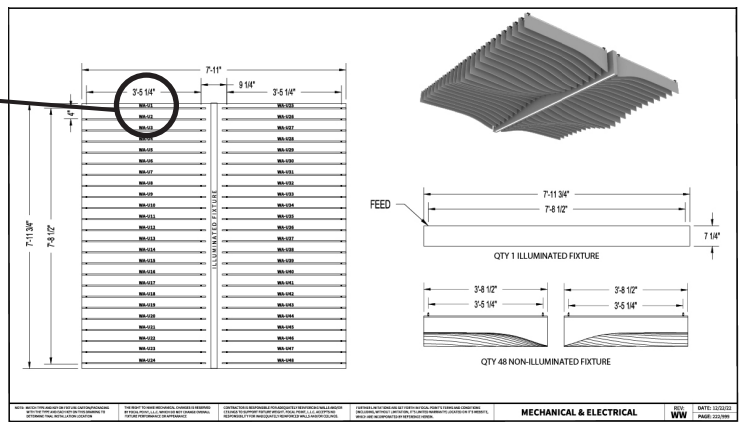
## TRUBLADE INSTALLATION SEQUENCE

Each TruBlade baffle is labeled with a fixture key that is affixed to the extrusion. **DO NOT REMOVE LABEL.**



Match the fixture key on the factory drawing with the corresponding fixture key on the TruBlade baffle to determine the installation sequence.

Ensure all TruBlade baffles are installed with the fixture key facing the same direction.

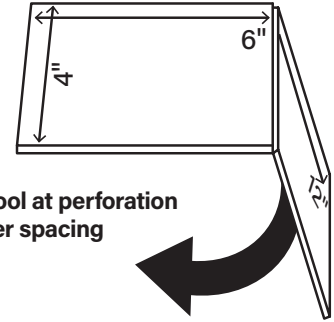
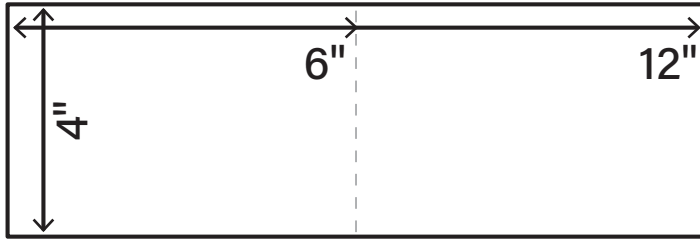


**MECHANICAL & ELECTRICAL**

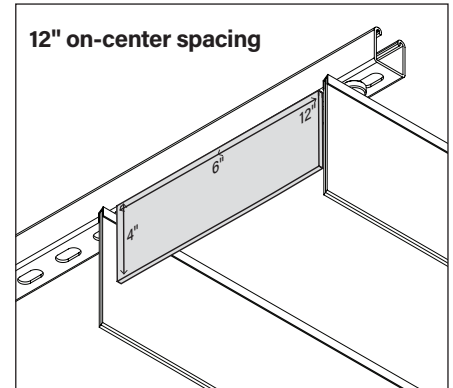
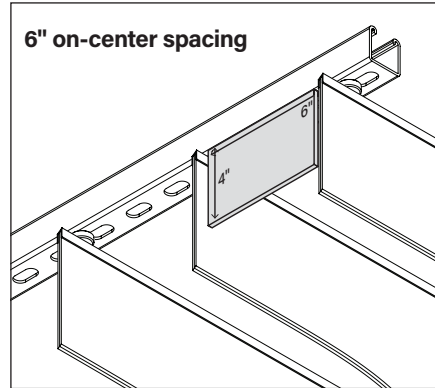
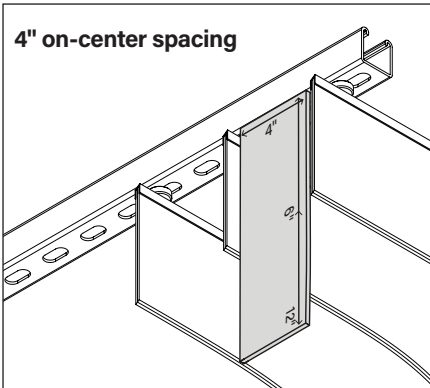
REV: **WW** DATE: 12/22/22  
PAGE: 222/999

## SPACER TOOL

Use the provided spacer tool to evenly space and install TruBlade baffles.

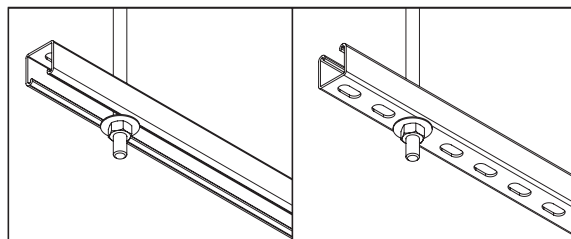


Bend spacer tool at perforation for 6" on-center spacing

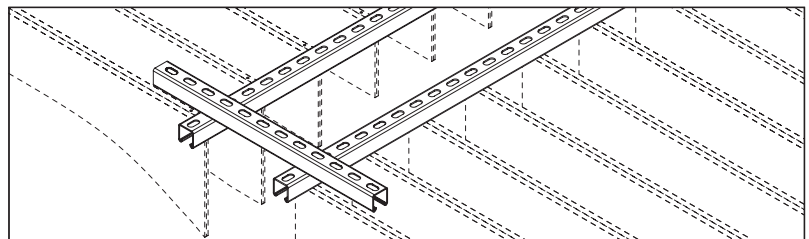


## STRUT INSTALLATION

INSTALLATION METHOD	STRUT ORIENTATION
Seem 1 Acoustic Direct to Strut	Strut can be installed in "n" or "u" orientation
Seem 1 Acoustic Aircraft Cable	Strut can be installed in "n" or "u" orientation
TruBlade StrutKlip	Strut must be installed in "n" orientation
TruBlade Magnet	Strut must be installed in "u" orientation
TruBlade Aircraft Cable	Strut can be installed in "n" or "u" orientation

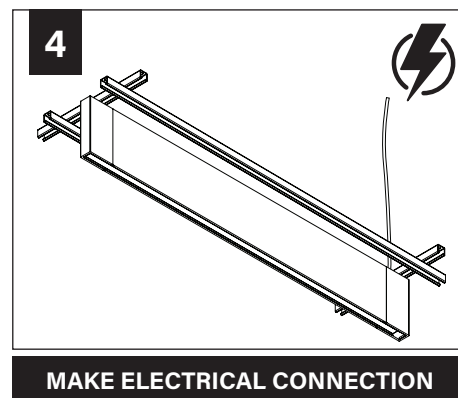
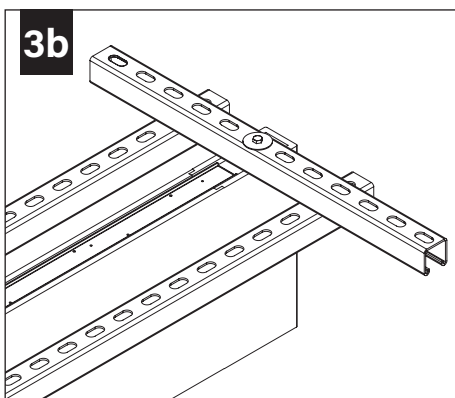
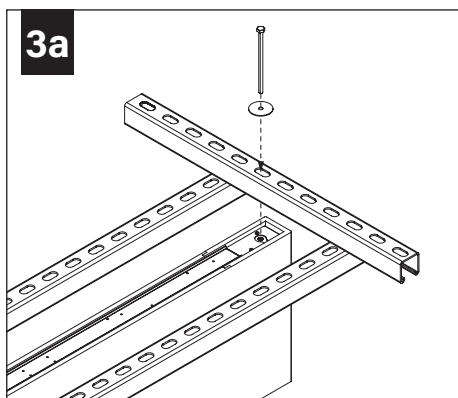
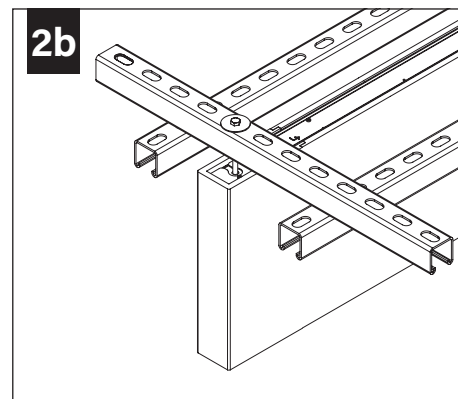
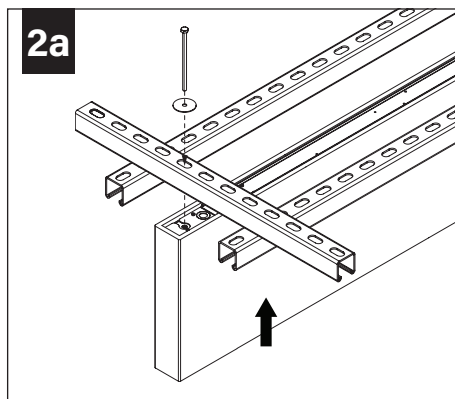
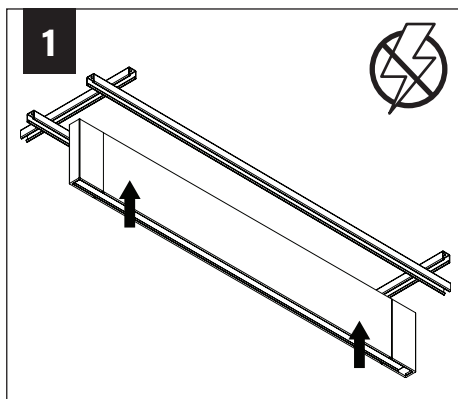
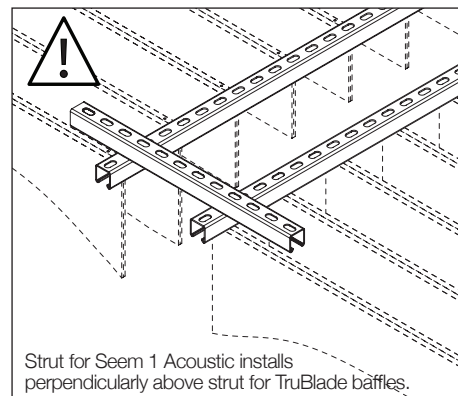
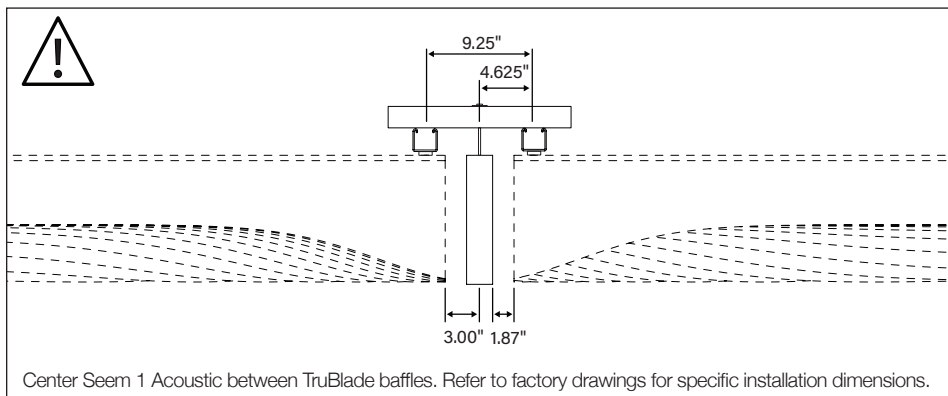
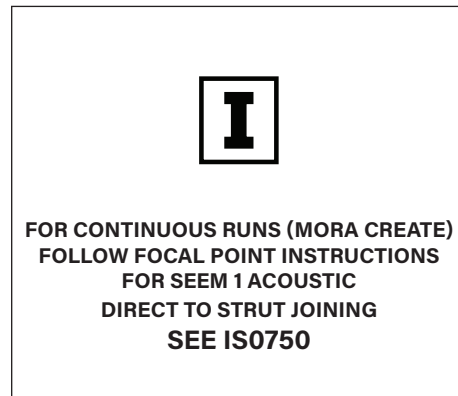
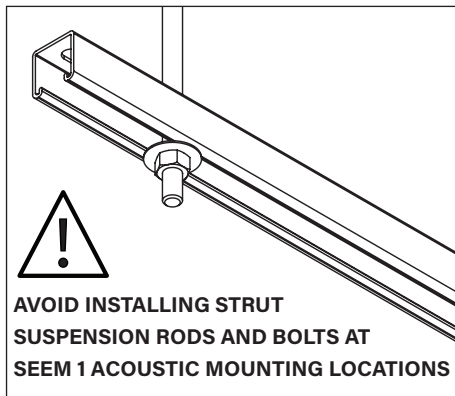
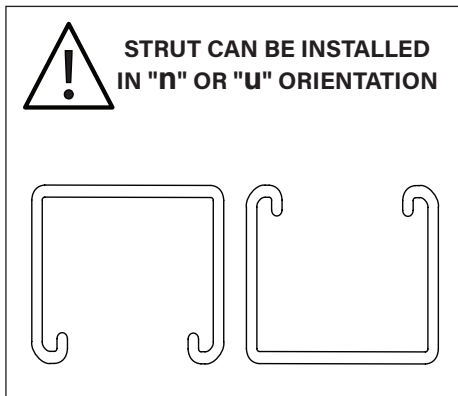


AVOID INSTALLING STRUT SUSPENSION RODS AND BOLTS AT MOUNTING LOCATIONS

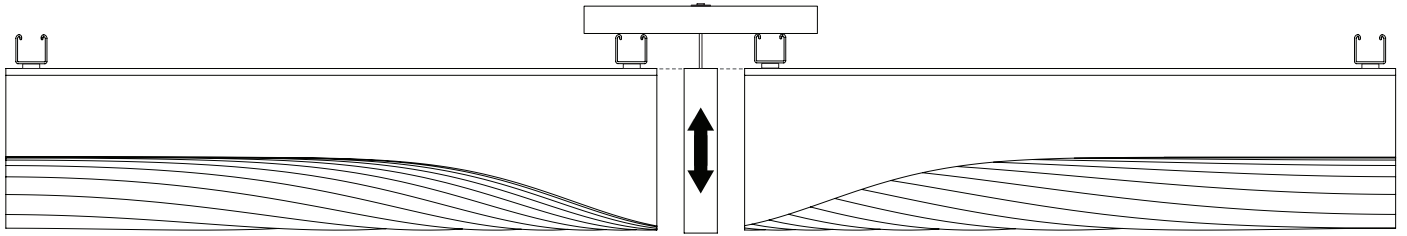


STRUT FOR SEEM 1 ACOUSTIC INSTALLS PERPENDICULARLY ABOVE STRUT FOR TRUBLADE BAFFLES

# SEEM 1 ACOUSTIC DIRECT TO STRUT INSTALLATION



5

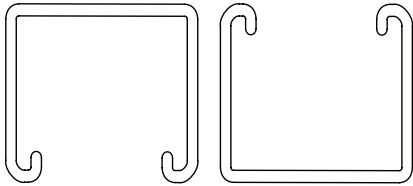


Adjust mounting bolt depth so that the top of Seem 1 Acoustic is flush with the top of TruBlade baffles

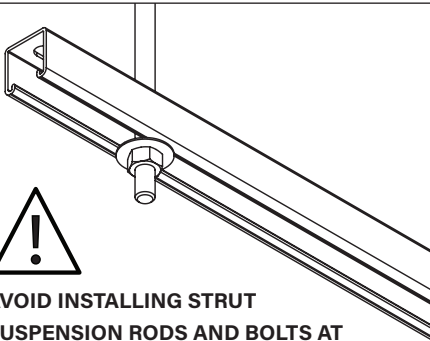
## SEEM 1 ACOUSTIC AIRCRAFT CABLE INSTALLATION



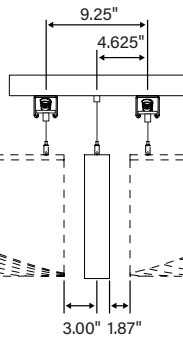
**STRUT CAN BE INSTALLED IN "n" OR "u" ORIENTATION**



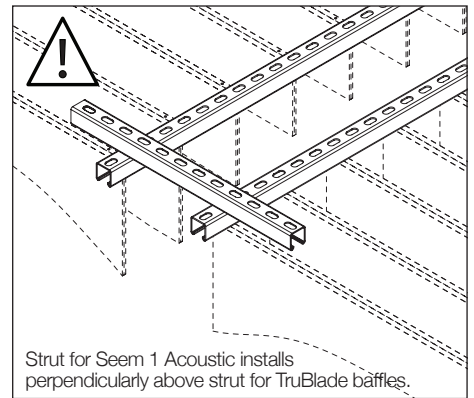
**AVOID INSTALLING STRUT SUSPENSION RODS AND BOLTS AT SEEM 1 ACOUSTIC MOUNTING LOCATIONS**



**FOLLOW FOCAL POINT INSTRUCTIONS FOR SEEM 1 ACOUSTIC SUSPENDED JOINING SEE IS0714**

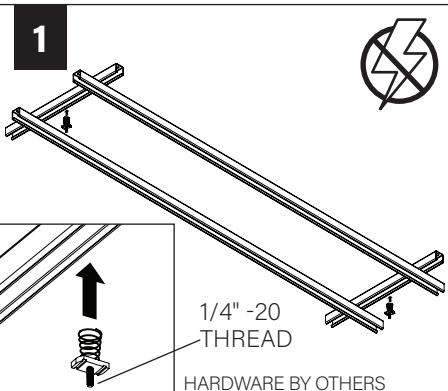


Center Seem 1 Acoustic between TruBlade baffles. Refer to factory drawings for specific installation dimensions.

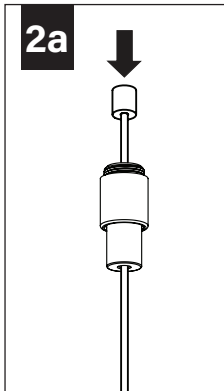


Strut for Seem 1 Acoustic installs perpendicularly above strut for TruBlade baffles.

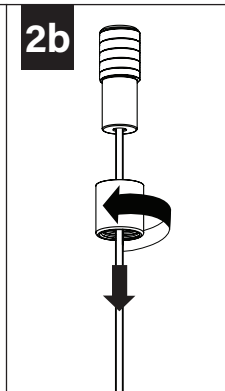
1



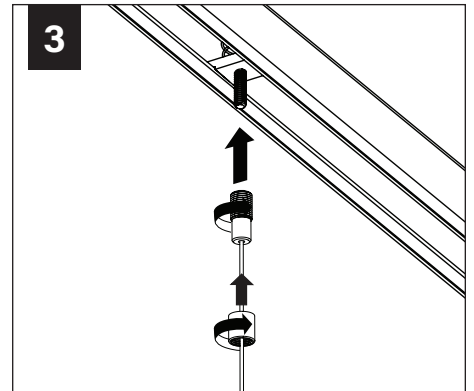
2a

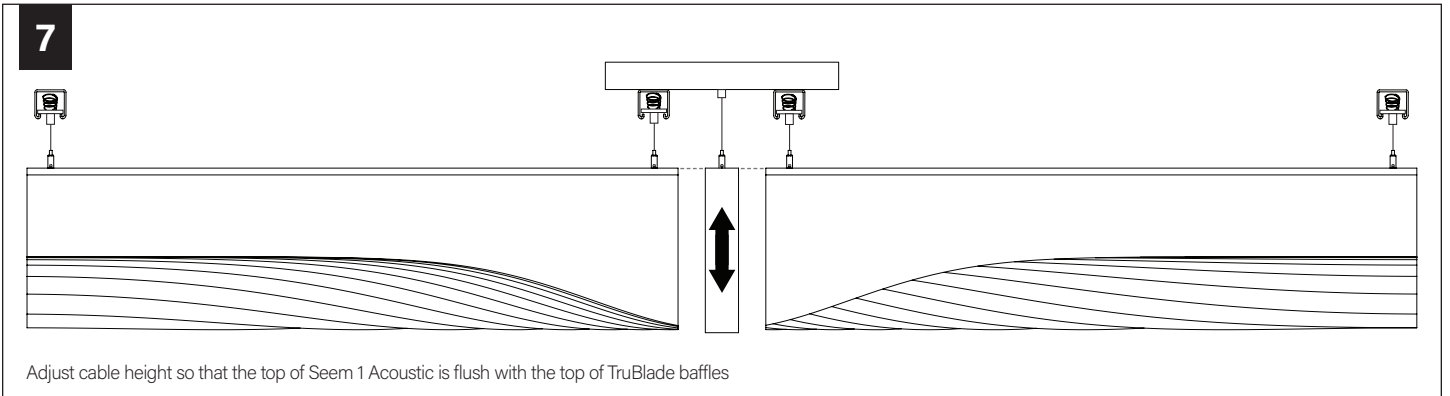
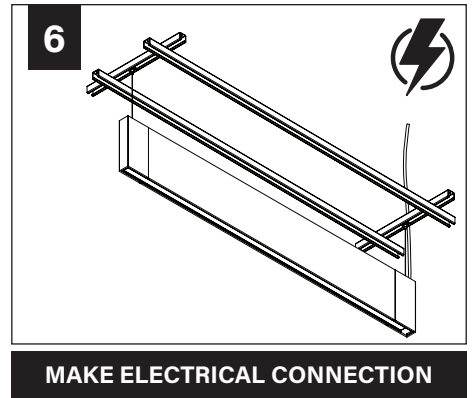
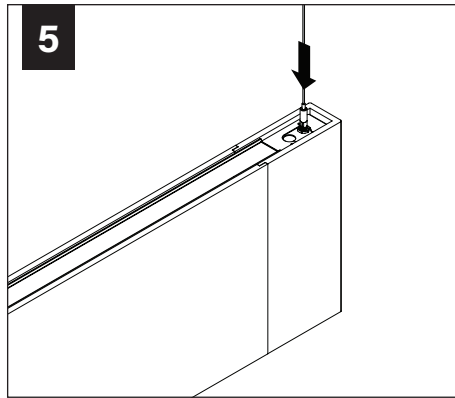
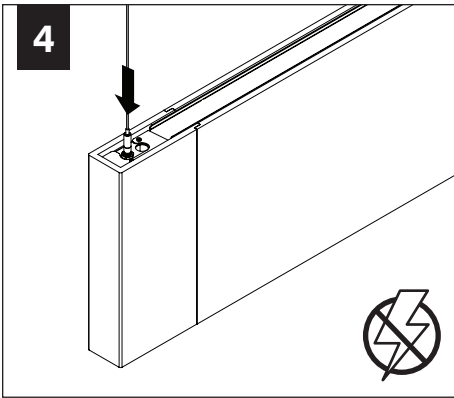


2b

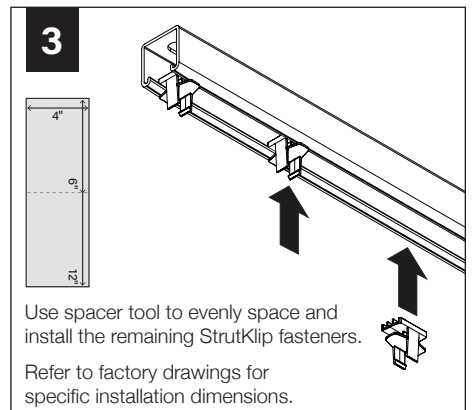
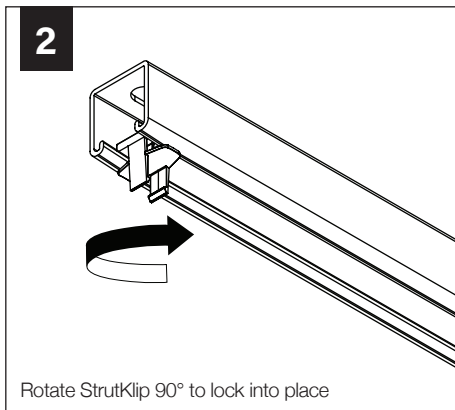
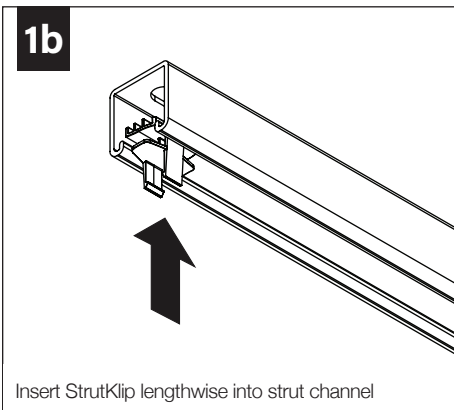
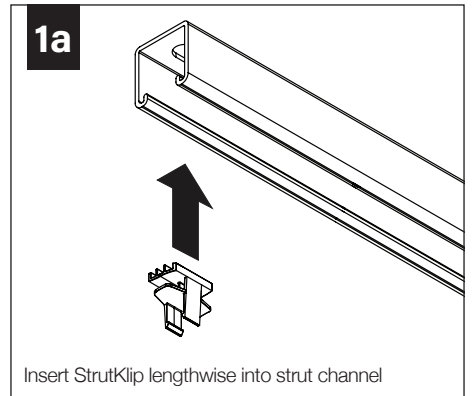
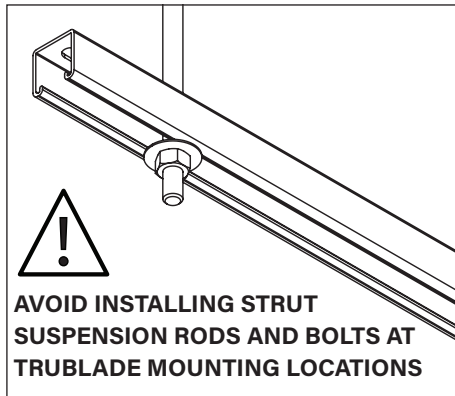
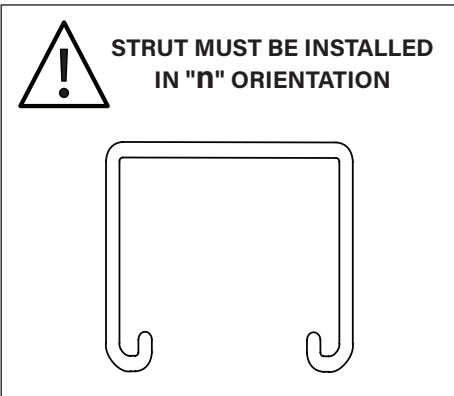


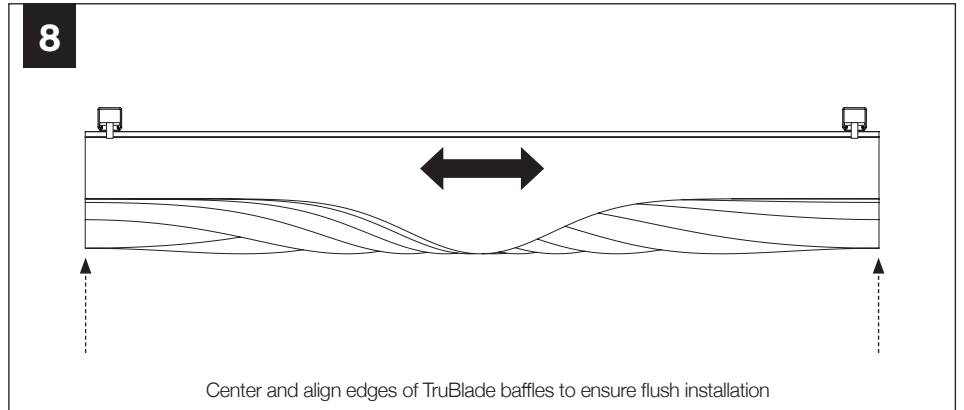
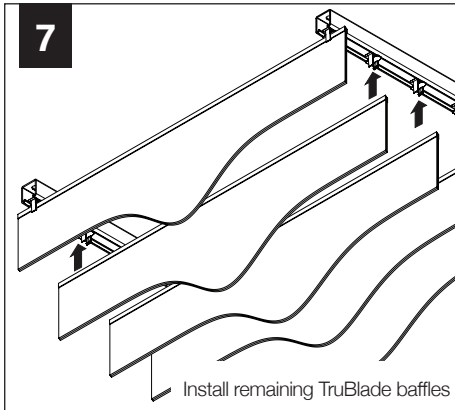
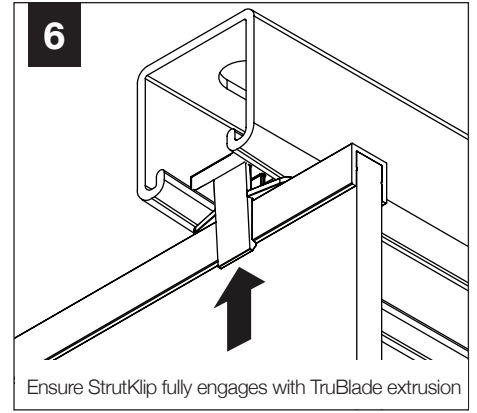
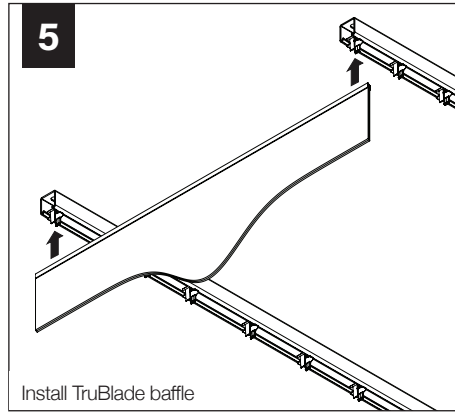
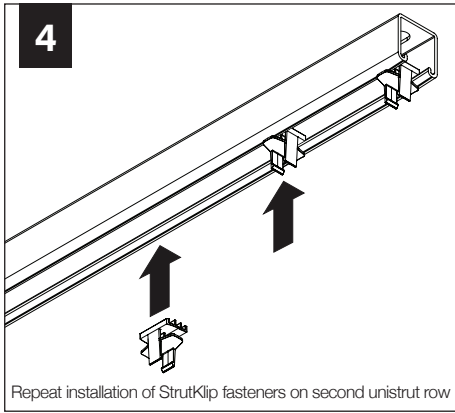
3



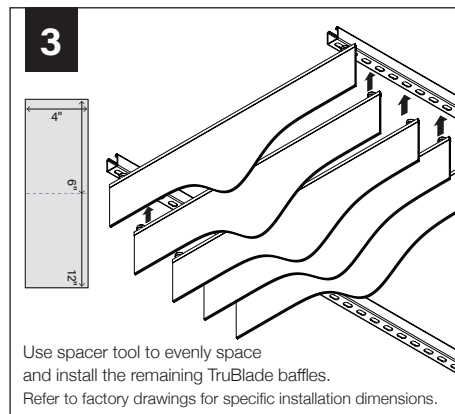
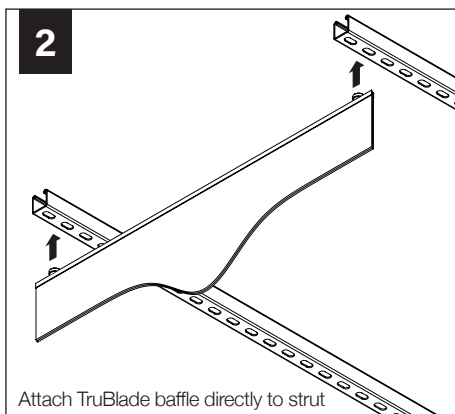
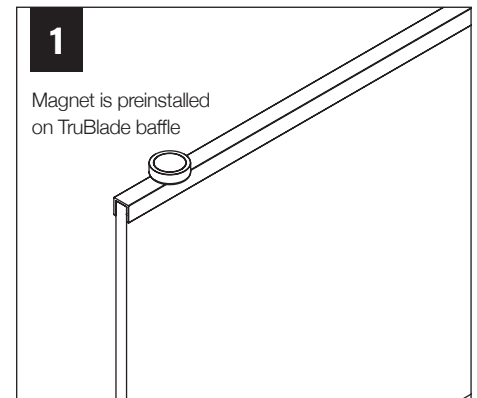
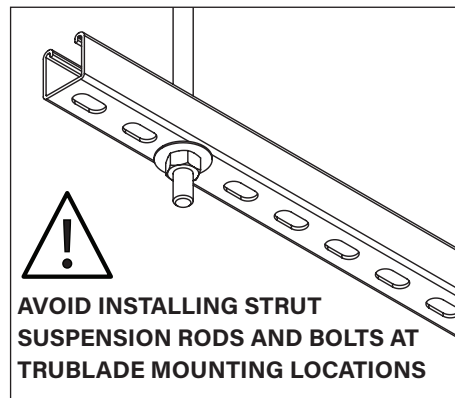
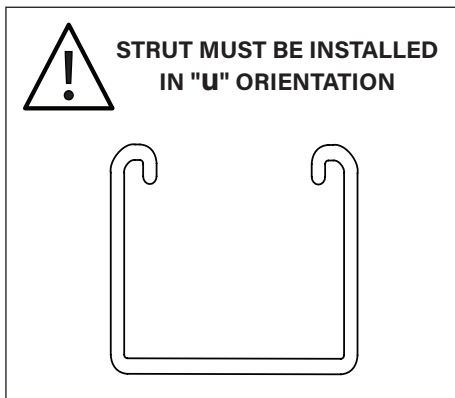


**TRUBLADE STRUTKLIP INSTALLATION**

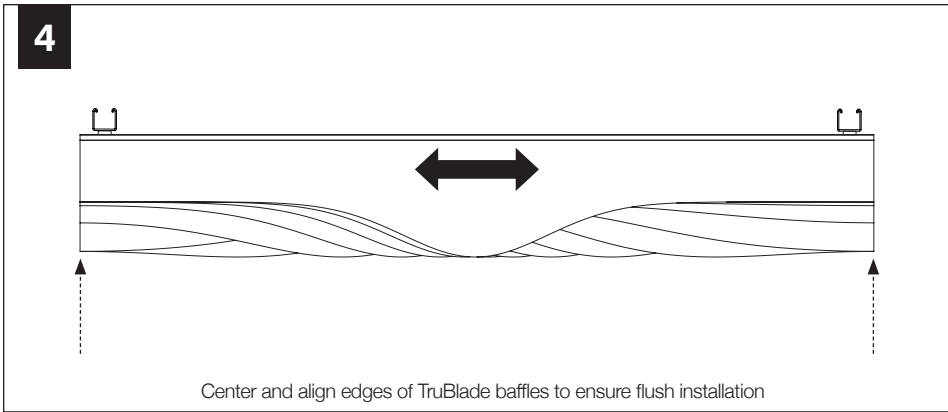




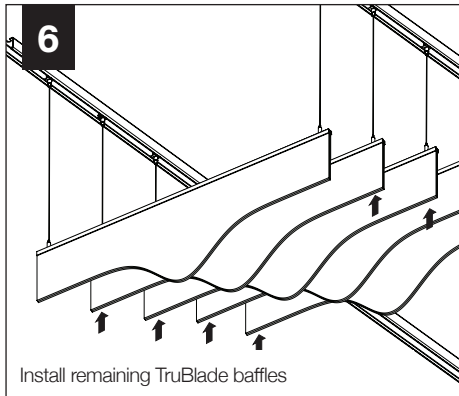
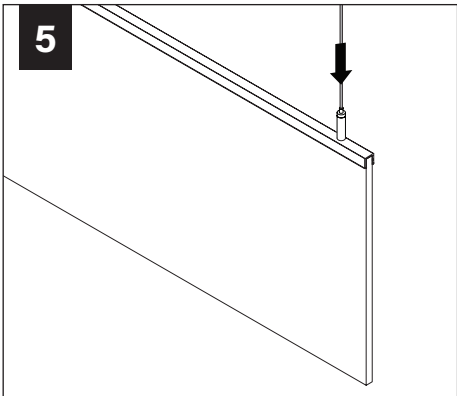
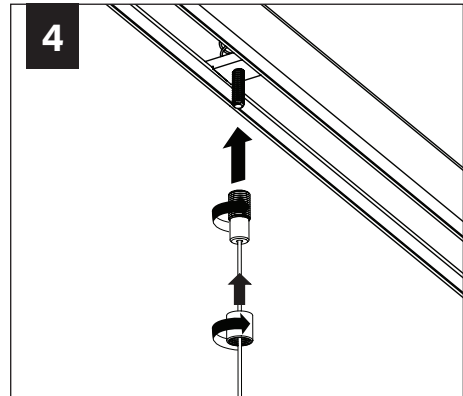
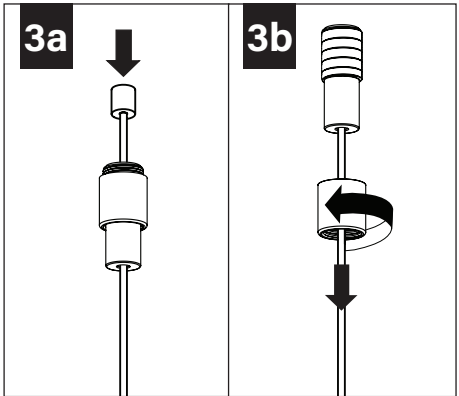
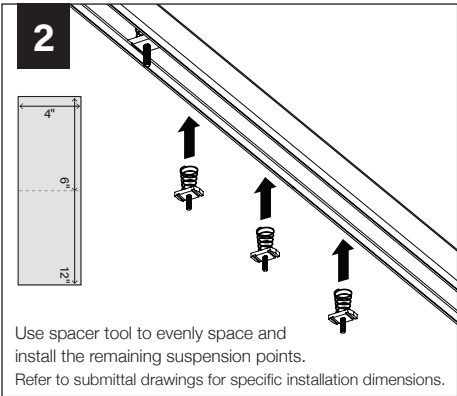
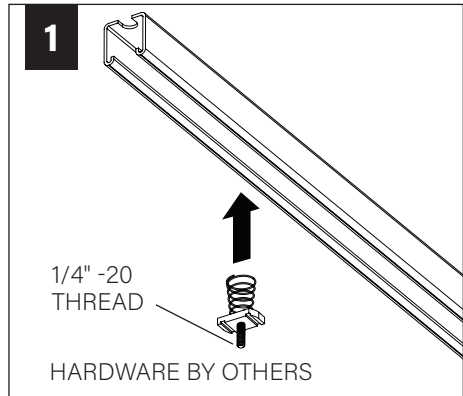
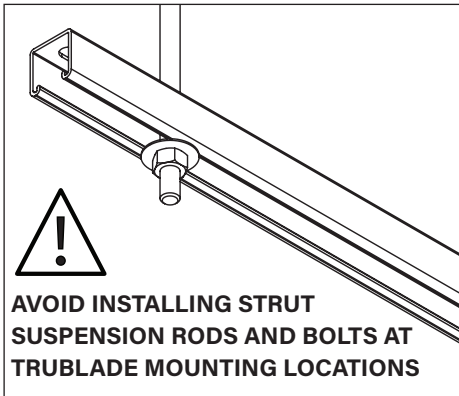
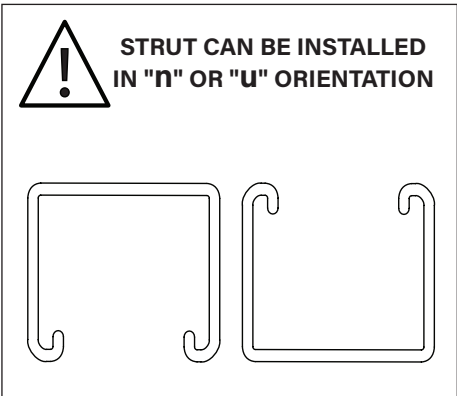
## TRUBLADE MAGNET INSTALLATION





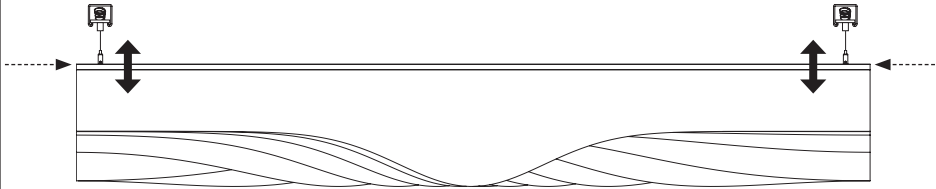


**TRUBLADE AIRCRAFT CABLE INSTALLATION**





7



Level and align top of TruBlade baffles to ensure flush installation

## MULTIPLE ARRAY INSTALLATION

