

ID+ 2.5" Square Trimless Housing

FLC22D | FLC22W



FOCAL POINT®

BEFORE YOU BEGIN

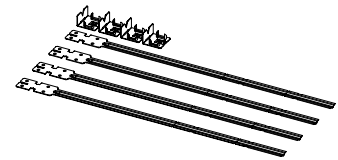
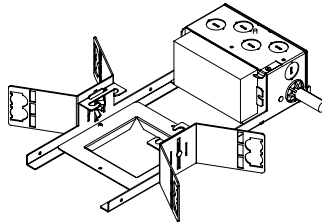
- Luminaires must be installed by a qualified electrician (check with local and national codes for proper installation).
- To prevent electrical shock, disconnect electrical supply before installation or servicing.
- Contractor is responsible for adequately reinforcing walls and/or ceilings to support fixture weight.
- Focal Point, LLC accepts no responsibility for inadequately reinforced walls and/or ceilings.
- The information contained in this drawing is the sole property of Focal Point, LLC. Any reproduction in part or whole without the written permission of Focal Point, LLC is prohibited.

LUMINAIRE MUST BE INSTALLED PRIOR TO DRYWALL CEILING. ALL GRID LUMINAIRE MUST BE SECURED TO STRUCTURE ABOVE.

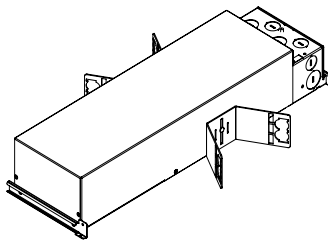
COMPONENT KEY

NON-EMERGENCY
THERMALLY PROTECTED, NON-IC

OPTIONAL
BAR HANGERS SOLD SEPARATELY



IC/CP



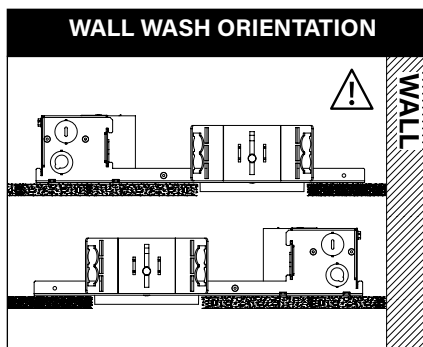
INSTRUCTION KEY

ATTENTION

SEE ADDITIONAL INSTRUCTIONS

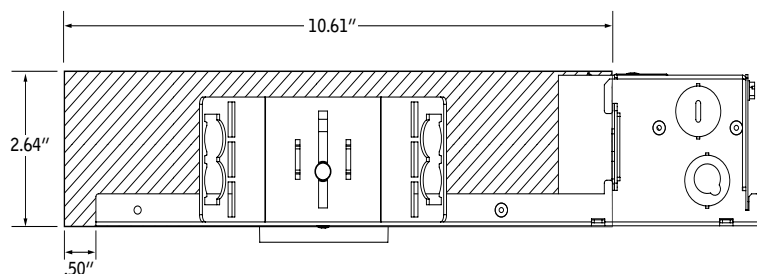
POWER OFF

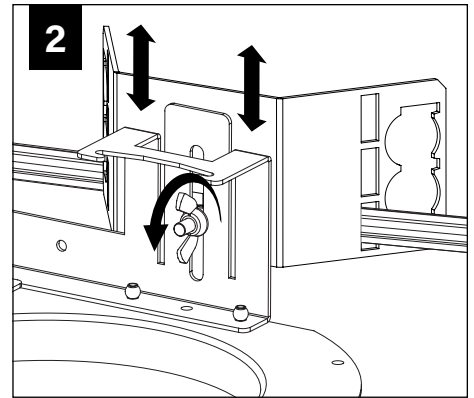
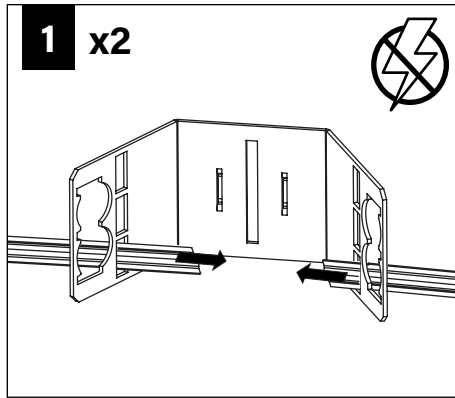
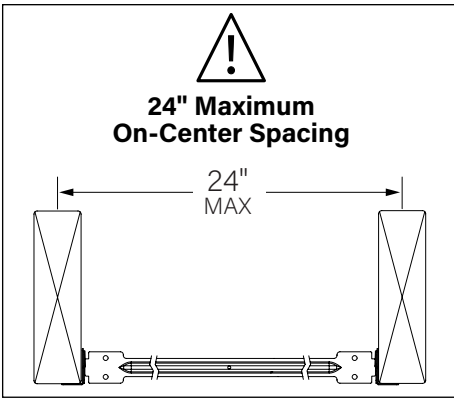
POWER ON



KEEP SHADED AREA FREE FROM OBSTRUCTION ABOVE CEILING

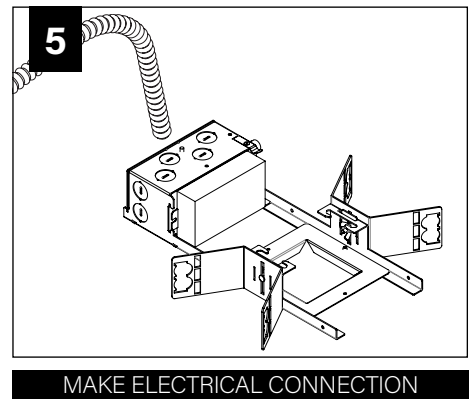
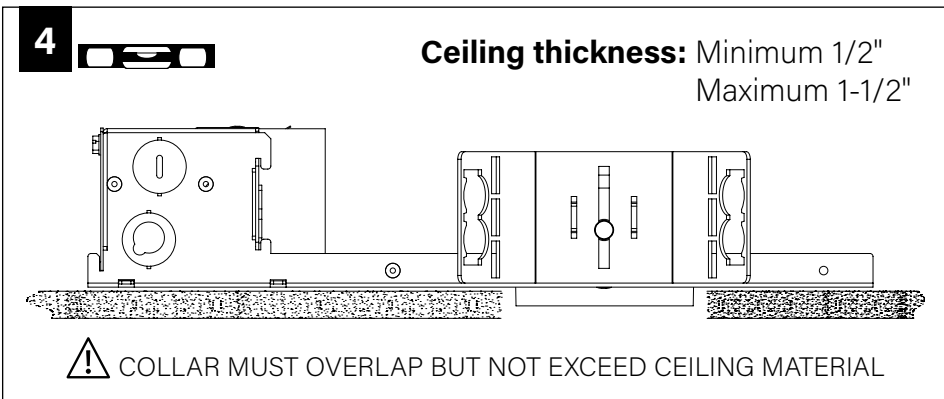
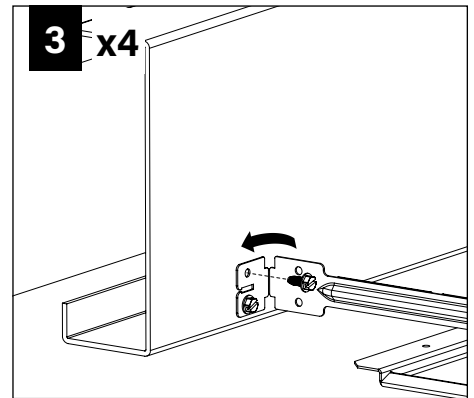
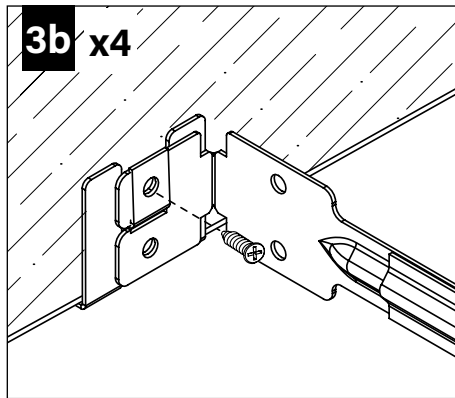
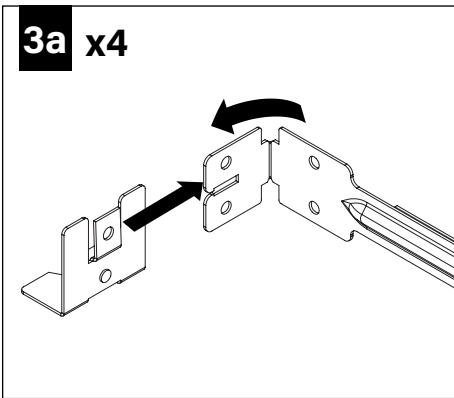
DNS - SHORT CONE
DSS - SUPER SHORT CONE





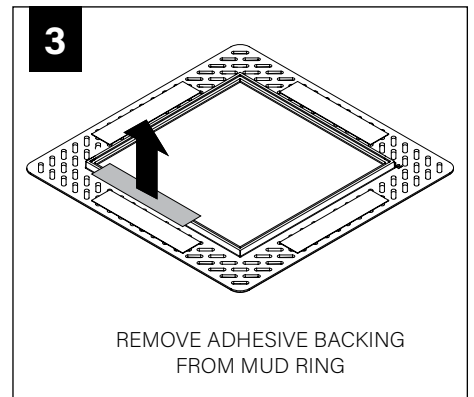
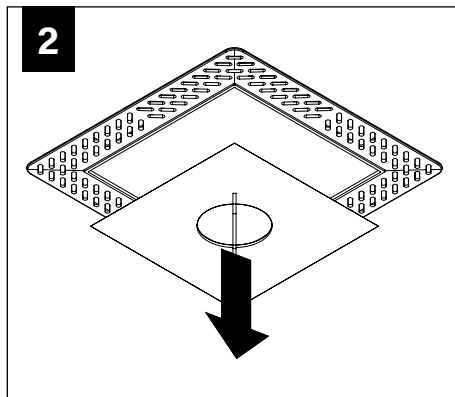
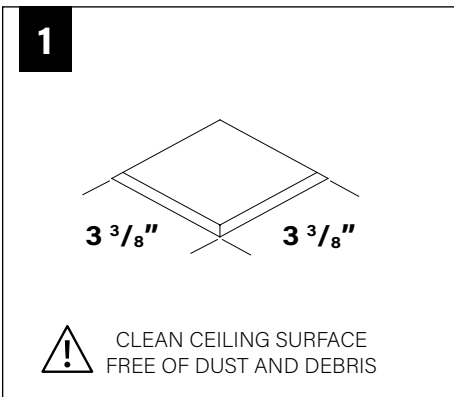
WOOD STUDS

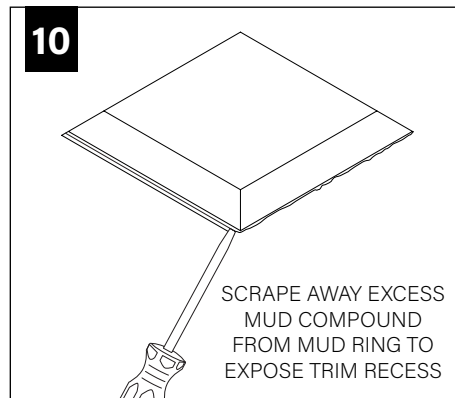
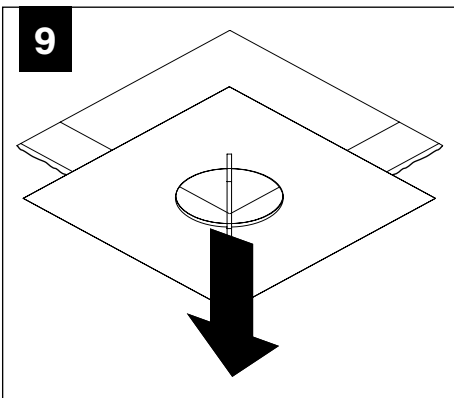
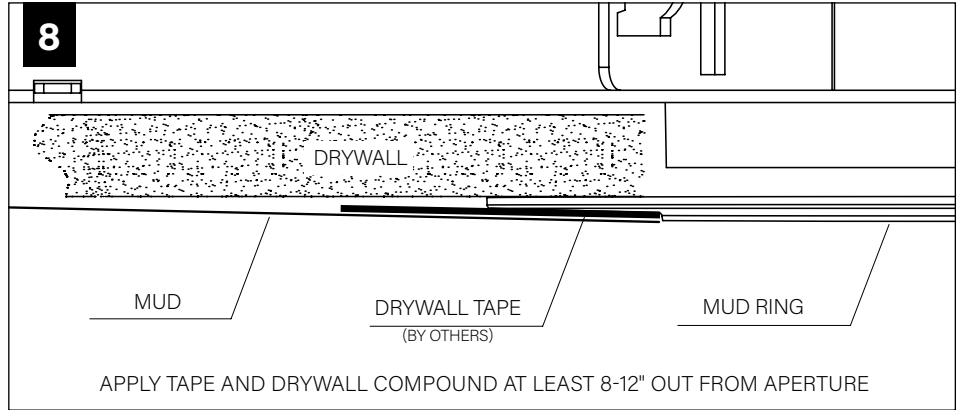
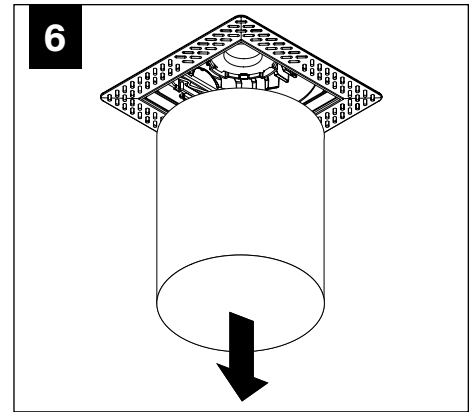
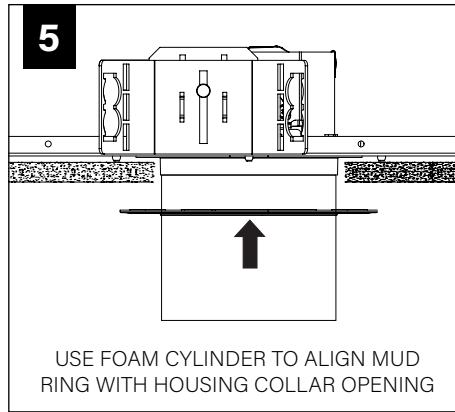
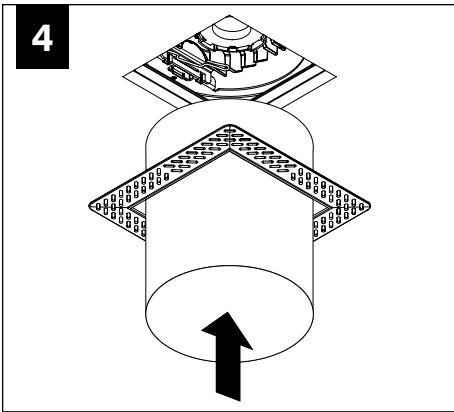
METAL STUDS



MAKE ELECTRICAL CONNECTION

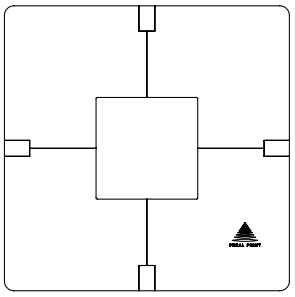
MUD-IN






WOOD CEILING

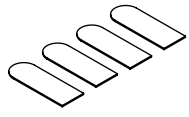
WOOD CEILING INSTALLATION KIT PARTS LIST



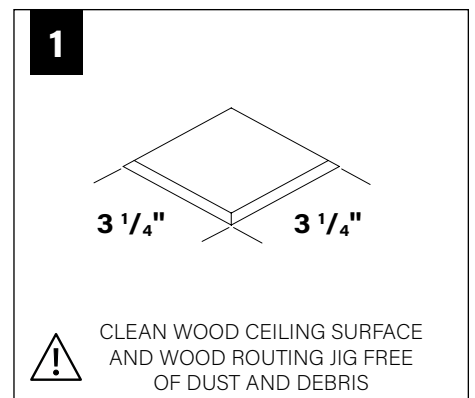
WOOD ROUTING JIG

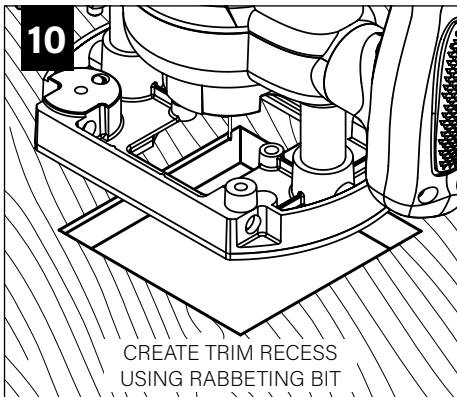
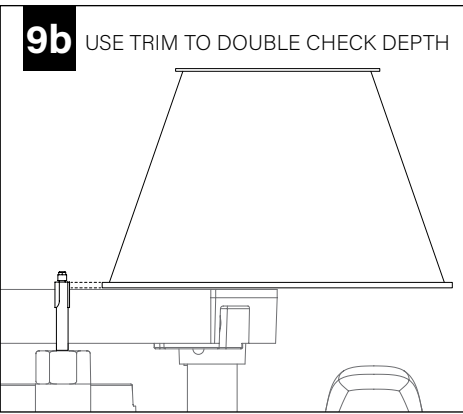
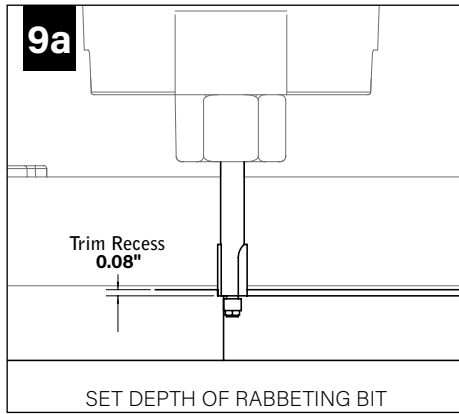
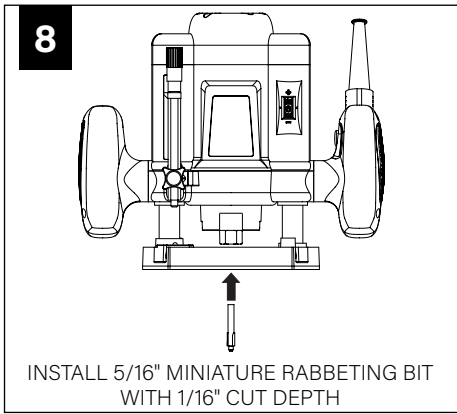
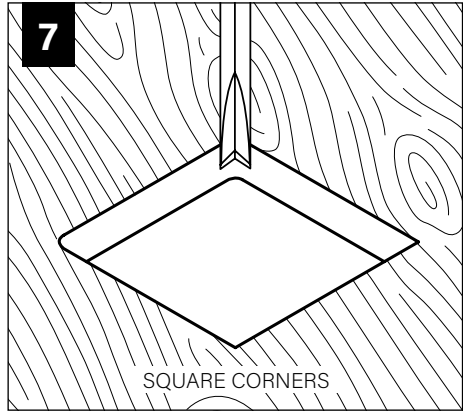
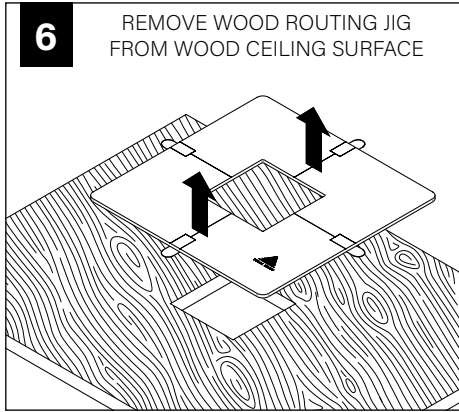
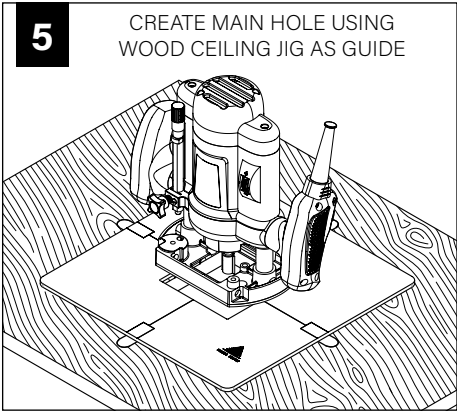
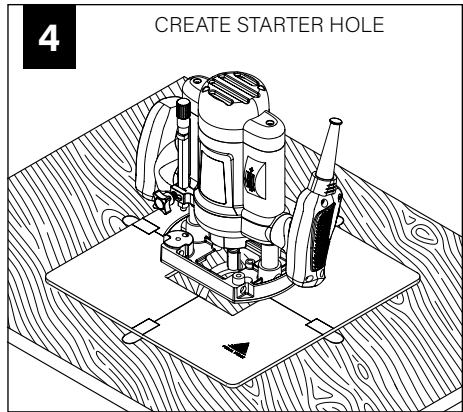
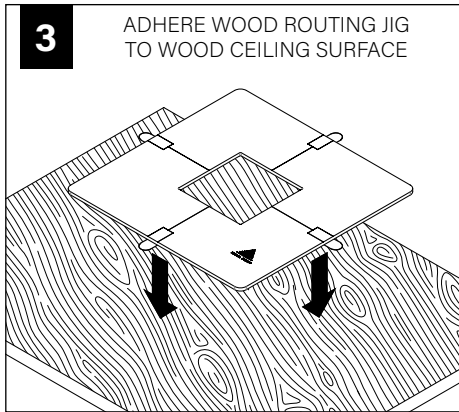
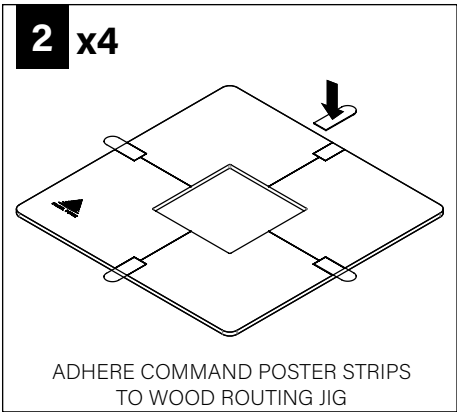


5/16" MINIATURE RABBETING BIT WITH 1/16" CUT DEPTH



3M COMMAND POSTER STRIP #136 (QTY. 40)





DRIVER SERVICE



**TO PREVENT ELECTRICAL SHOCK,
DISCONNECT ELECTRICAL SUPPLY
BEFORE SERVICING**

