



FOCAL POINT®

Bringing It All To Light®



ID+ 4.5"

ROBUST.
COMPLETE.
COHESIVE.



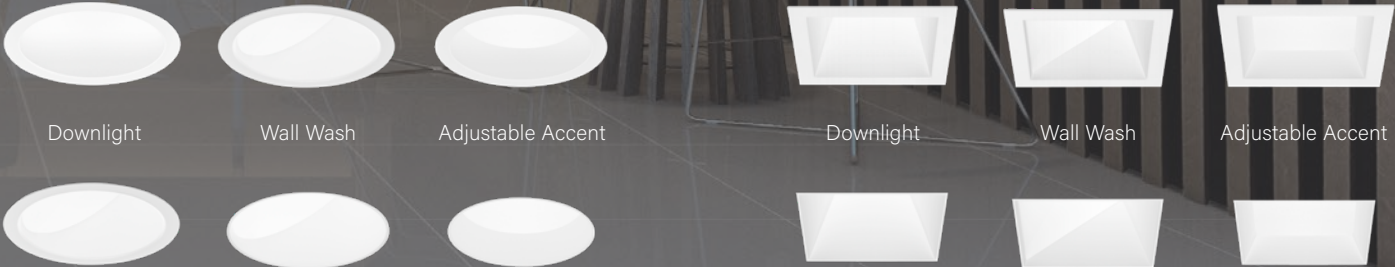
A COMPLETE SOLUTION

The ID+ 4.5" Downlight, Wall Wash, and Adjustable Accent were designed as a comprehensive family of high-performance luminaires that offer lighting professionals and contractors ease of use and installation in a multitude of applications. High lumen outputs, 50° and 75° cut-offs, a broad range of beam spreads, and superior light quality make the luminaires highly adaptable to the needs of commercial, hospitality, retail, museum, gallery, and residential environments.

As a cohesive series of luminaires designed with a common aesthetic and identical light sources for standard white light at CRI 80, 90 or 97* and two warm dim ranges at CRI 90, ID+ 4.5" provides color uniformity across the entire family and the light quality options required to cover all applications within an environment. A wide range of beam spreads supports ambient, task, and accent lighting situations.

*Adjustable Accent only

Easy access from below the ceiling, a slide-on mechanism that allows to swap between downlight and wall wash post-installation, and field-changeable beam spread optics for the adjustable accent will please installation and maintenance crews. A selection of housings for every plenum condition and a wood ceiling installation kit complement the offering.





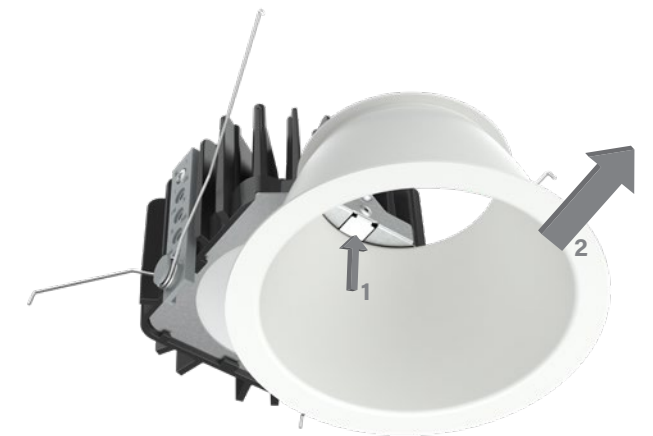
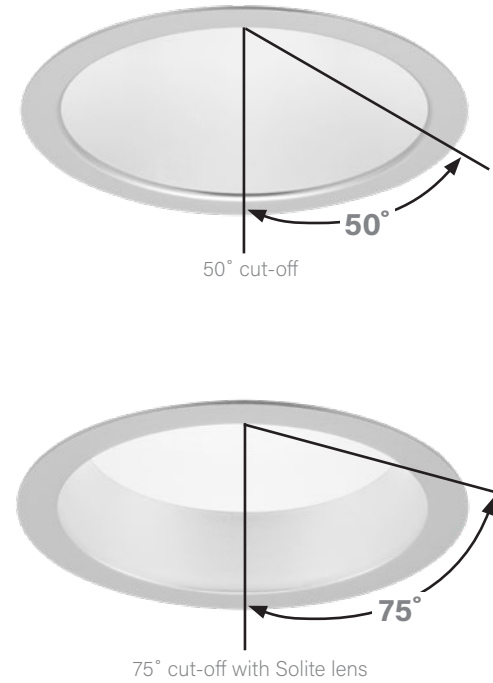
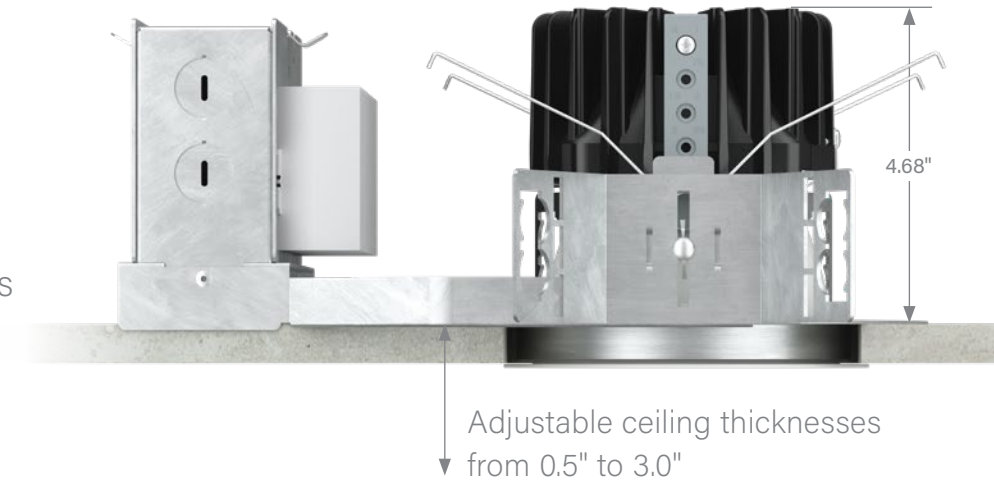
A ROBUST DOWNLIGHT & WALL WASH

Downlight & Wall Wash

Thoughtfully designed using high-quality optics, the 50° cut-off option supports beam spreads from 18° to 60° without compromising visual comfort. The use of a shallow Solite optic with a 75° cut-off delivers uniform light distributions for beam spreads of 70° and 90°, resulting in quiet ceilings.

Housings

- Thermally Protected, Non-IC
- Thermally Protected, Non-IC (Wood)
- IC-Rated & Chicago Plenum



Slide-on mechanism

Swap trims between downlight and wall wash in the field.

Optic / Distribution	Downlight							Wall Wash
	Spot	Narrow Flood	Flood 1	Flood 2	Wide Flood	Very Wide Flood	Super Wide Flood	
Lumen Output								
1000	○ □	○ □	○ □	○ □	○ □	○ □	○ □	○ ■
1500	● ■	● ■	● ■	● ■	● ■	● ■	● ■	● ■
2000	● ■	● ■	● ■	● ■	● ■	● ■	● ■	● ■
2500	○ □	○ □	○ □	○ □	○ □	○ □	○ □	○ □
3000		○ □	○ □	○ □	○ □	○ □	○ □	○

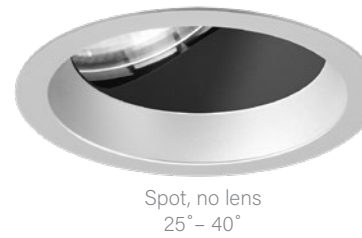
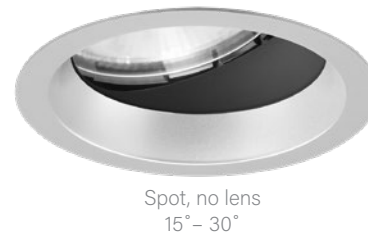
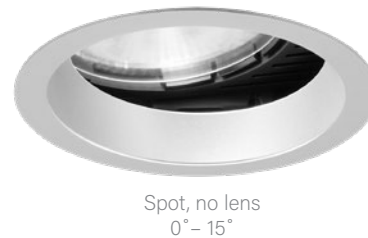
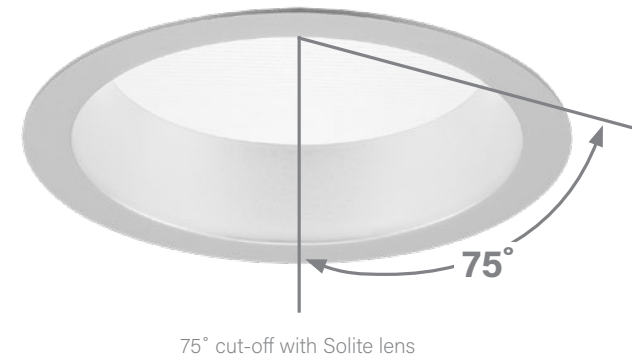
○ Round □ Square ● ■ Standard White & Warm Dim available



AN ADJUSTABLE ACCENT WITH A COHESIVE SUITE OF OPTIONS

Adjustable Accent

Designed to offer a pleasing appearance, lights on or off, the adjustable accent incorporates a Solite lens for beam spreads from 17° to 90° and a Linear Spread optic of 22° x 55°.



A no-lens Spot optic of 12° with shrouds for 15° tilt and over results in a very crisp spot while limiting visibility to the internal components. A center beam candle power of up to 28,962 candelas offers the punch of light expected from a premium adjustable accent.

Optic / Distribution	Adjustable Accent								
	Spot	Spot Solite Lens	Narrow Flood	Flood 1	Flood 2	Wide Flood	Very Wide Flood	Super Wide Flood	Linear Spread
1000	●	●	●	●	●	●	●	●	●
1500	●	●	●	●	●	●	●	●	●
2000	○	○	○	○	○	○	○	○	○
2500			●	●	●	●	●	●	●
3000			○	○	○	○	○	○	○
3500			○	○	○	○	○	○	○
4000			○	○	○	○	○	○	○

○ Round □ Square ● Standard White & Warm Dim available

Housings

- Thermally Protected, Non-IC
- Thermally Protected, Non-IC (Wood)
- IC-Rated & Chicago Plenum



Tool-less adjustability with 0°-40° vertical tilt and 364° rotation ensures ease of installation and perfect aiming in any situation, including sloped ceilings.



Easily achieve the desired effect with field-changeable beam spread optics.



Color Temperature Options

Static white color temperatures at CRI 80, 90 and 97*, as well as two warm dim ranges at CRI 90 offer the flexibility required to enhance interior architecture and personalize each space with occupants' comfort in mind.

*Adjustable Accent only



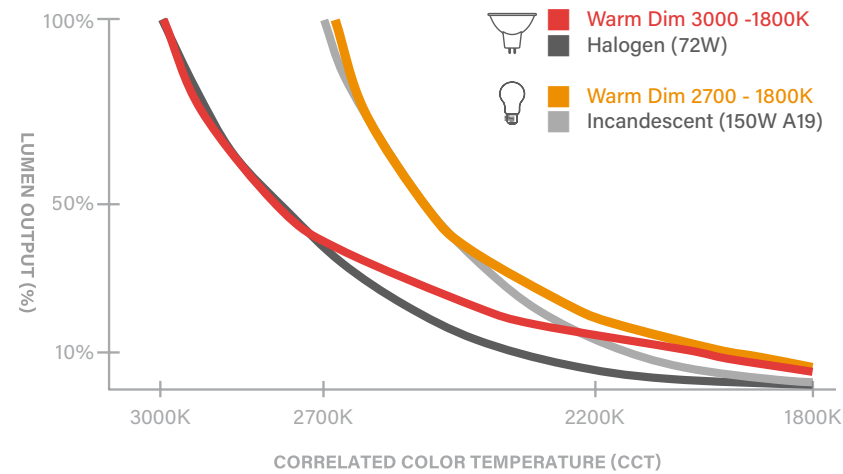
Standard White: 2700K, 3000K, 3500K and 4000K



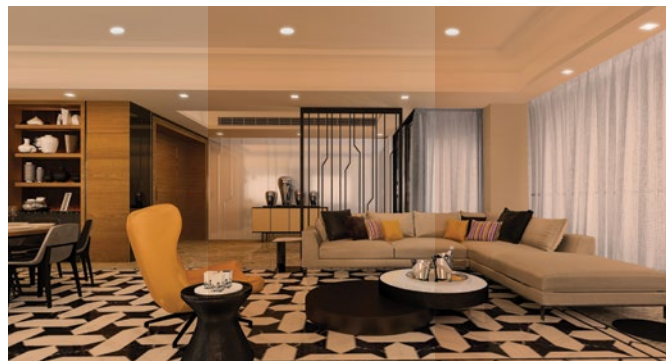
CRI 80 CRI 90 CRI 97*

WD Warm Dim

The 3000K to 1800K and 2700K to 1800K ranges mimic the black body curves of halogen and incandescent light sources, respectively.

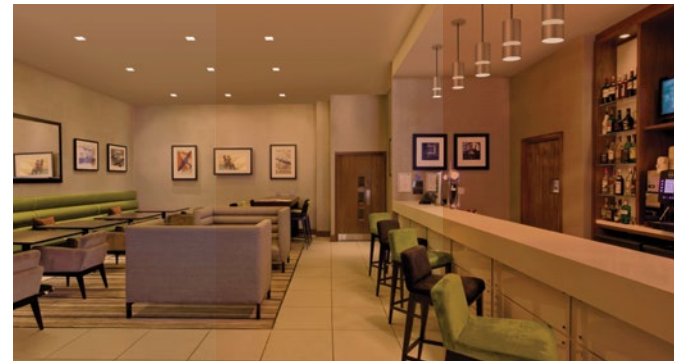


Halogen Range



3000K 2400K 1800K

Incandescent Range



2700K 2400K 1800K

Reflectors and Finishes

Reflectors

The ID+4.5" Family offers parabolic reflectors made of spun* and die-cast aluminum, resulting in a premium aesthetic and glare-free optics.

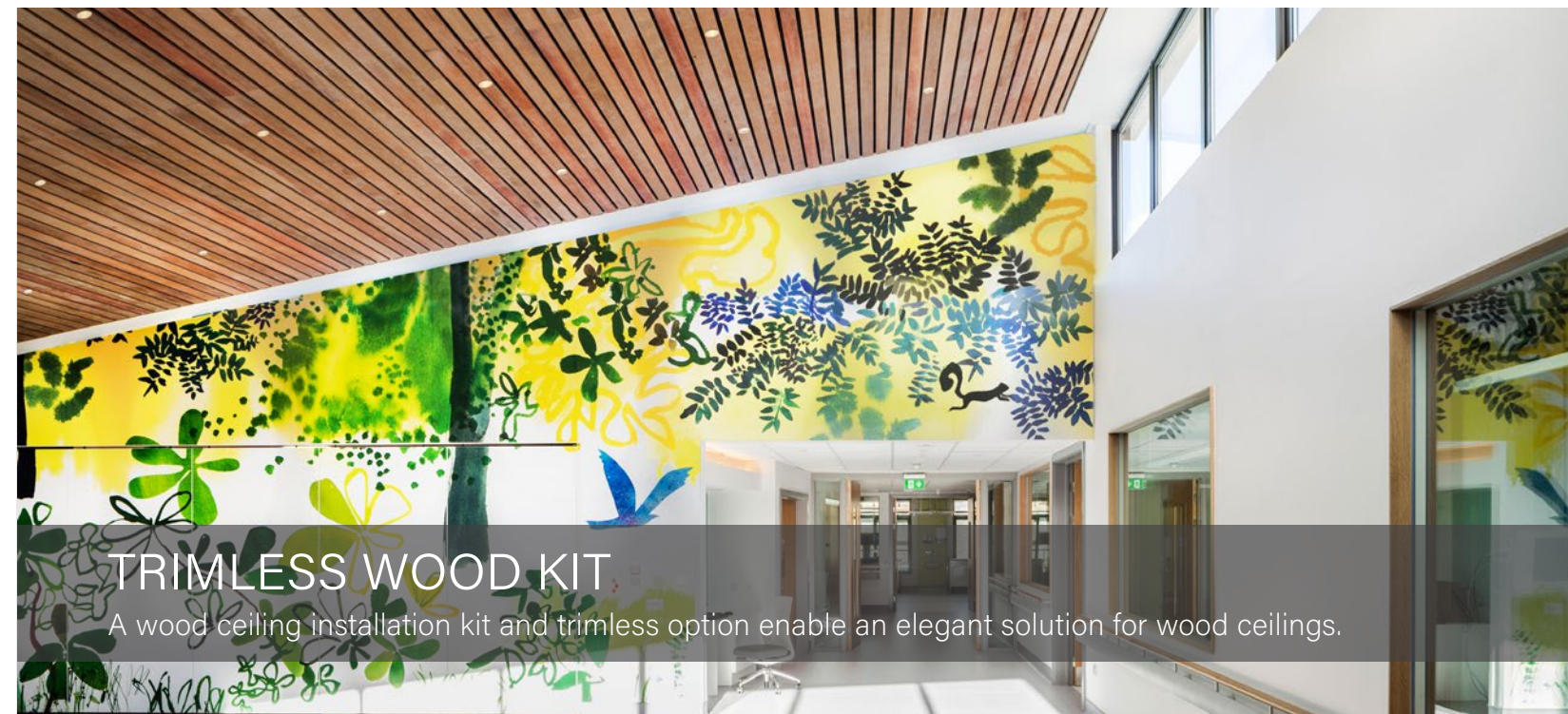
*Downlight and wall wash only



Round & Square Overlap

Round & Square Trimless

Finishes



TRIMLESS WOOD KIT

A wood ceiling installation kit and trimless option enable an elegant solution for wood ceilings.

ID+ a complete downlight solution

With a variety of aperture sizes, shapes, lumen packages, and distribution options, ID+ Downlights meet the needs of various applications. Used together with the ID+ Cylinders, these luminaires provide illumination for every area and feature, bringing beauty and uniformity to interiors.

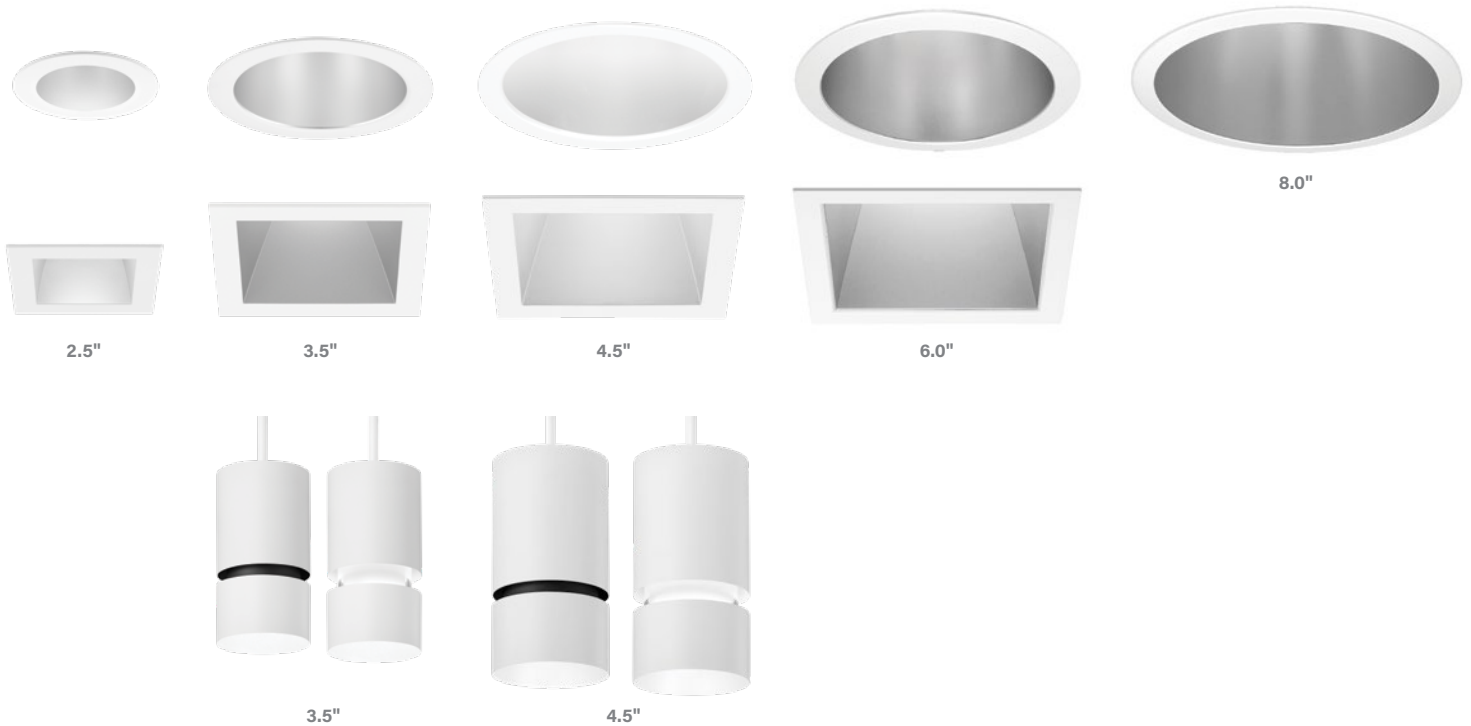


Photo Credits

p4. **Project:** Capes Sokol - Clayton, MO — **Photographer:** Alise O'Brien Photography
p6. **Project:** Lexus of Orlando - Orlando, FL — **Photographer:** Chad Baumer Photography

©2021 Focal Point, LLC. 4141 S Pulaski Road, Chicago, IL 60632 | T 773.247.9494 | www.focalpointlights.com All rights reserved.
"Focal Point", "Bringing It All To Light", "ID+" and the light-ray graphic are trademarks or registered trademarks of Focal Point, LLC.
Visit www.focalpointlights.com for specification and other details on our entire catalog.