

Seem® 6 LED

Grid Ceiling | FSM6L






FOCAL POINT®

BEFORE YOU BEGIN

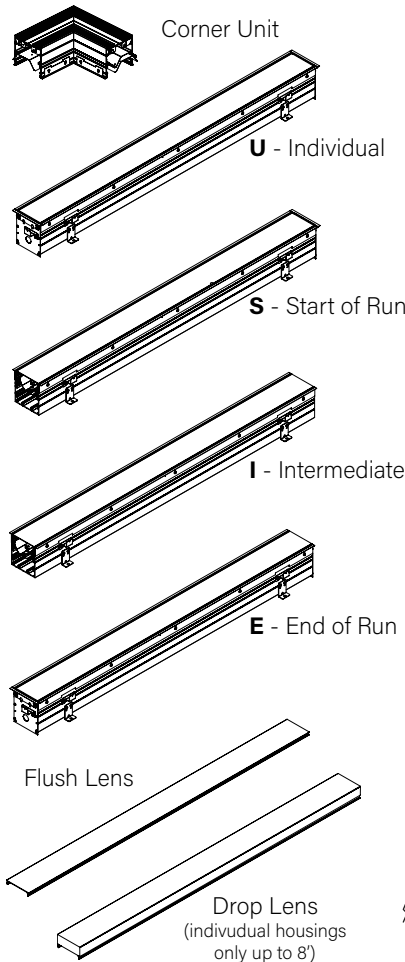
- Luminaires must be installed by a qualified electrician (check with local and national codes for proper installation).
- To prevent electrical shock, disconnect electrical supply before installation or servicing.
- Contractor is responsible for adequately reinforcing walls and/or ceilings to support fixture weight.
- Focal Point, LLC accepts no responsibility for inadequately reinforced walls and/or ceilings.
- The information contained in this drawing is the sole property of Focal Point, LLC. Any reproduction in part or whole without the written permission of Focal Point, LLC is prohibited.

INSTRUCTION KEY

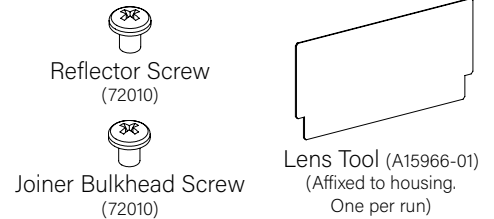
-  **ATTENTION**
-  **SEE ADDITIONAL INSTRUCTIONS**
-  **POWER OFF**
-  **POWER ON**

COMPONENT KEY

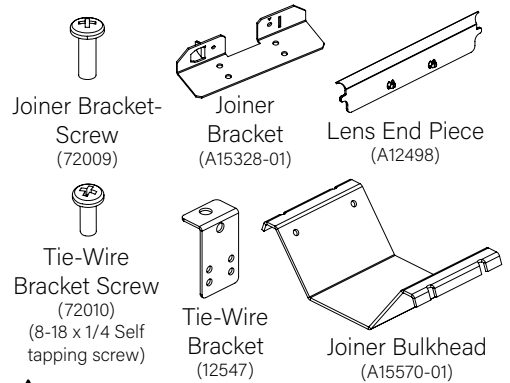
FOCAL POINT



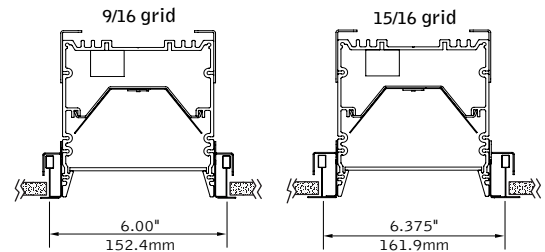
INCLUDED HARDWARE



PARTS SHIPPED INSTALLED

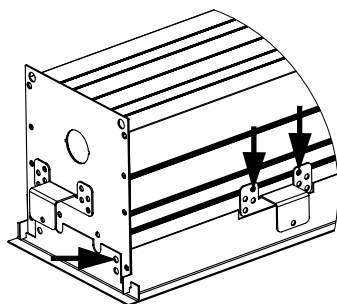


! TEE SPACING

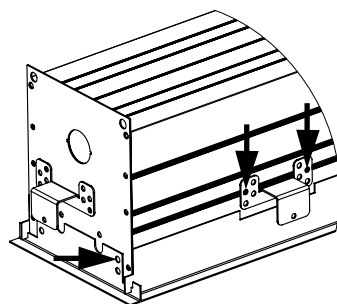


RAIL & CLIP GUIDE

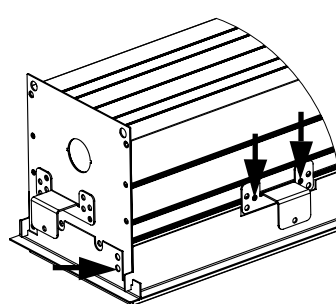
! CHECK RAIL & CLIP POSITIONS BEFORE INSTALLATION. ARROWS INDICATE SCREW POSITIONS. TO CHANGE IN THE FIELD REMOVE AND REINSTALL ACCORDING TO DIAGRAMS BELOW.



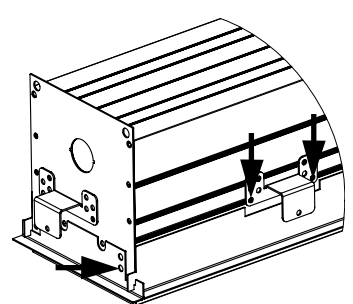
G1: STD 15/16" LAY-IN TILE
G2: STD 9/16" LAY-IN TILE



G4: TALL 15/16" LAY-IN TILE
G5: TALL 9/16" LAY-IN TILE

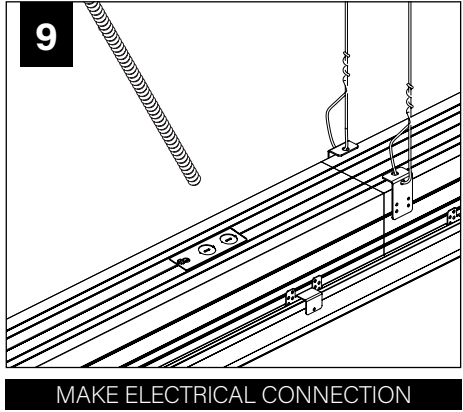
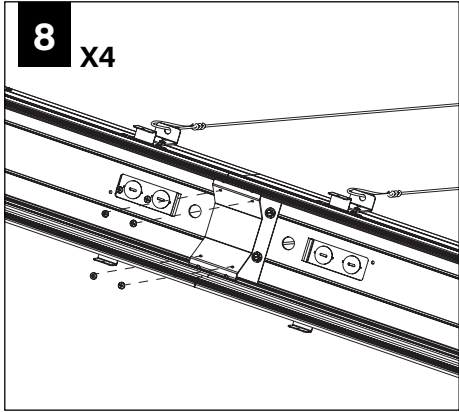
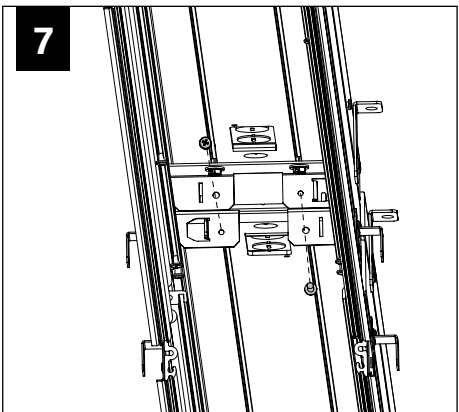
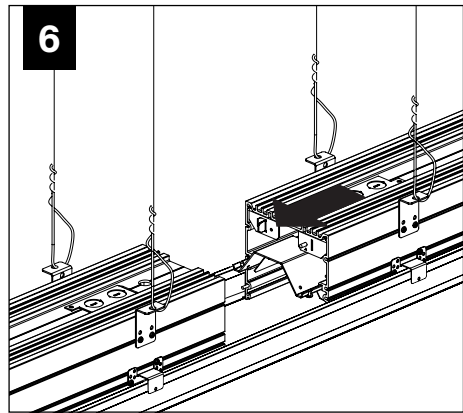
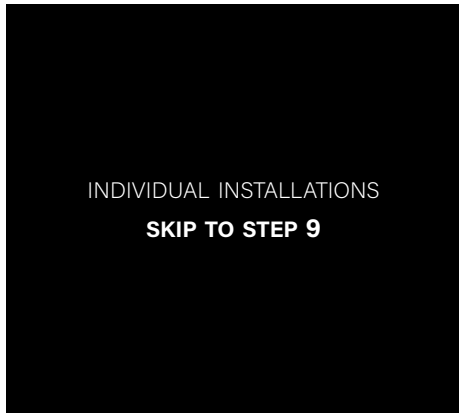
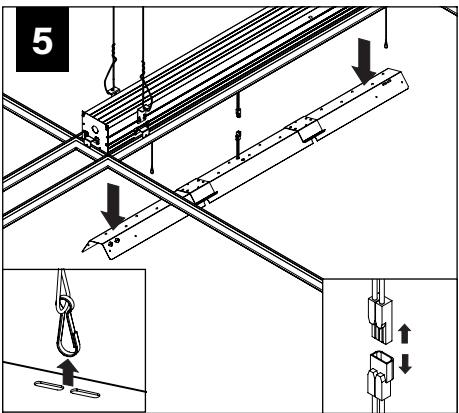
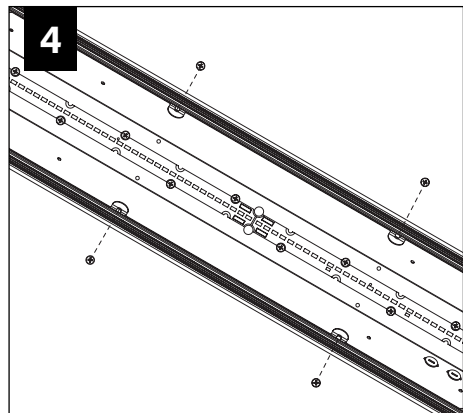
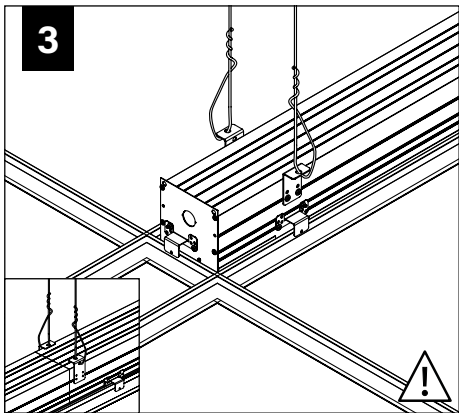
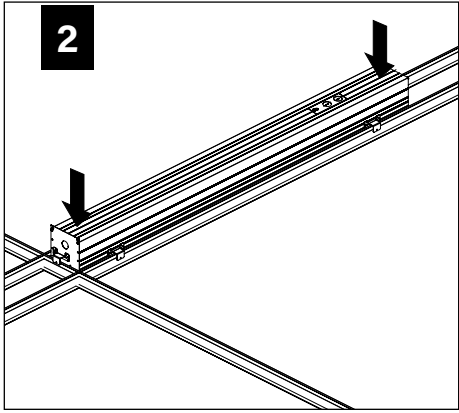
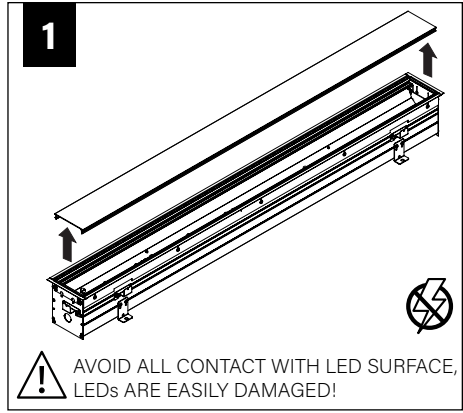
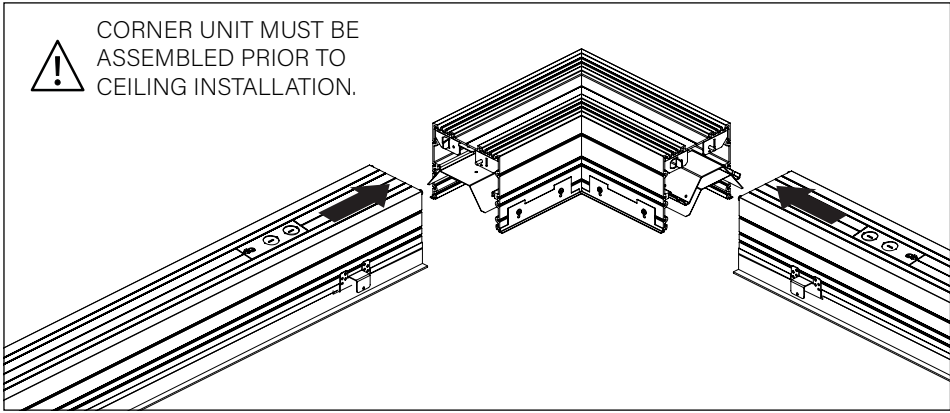


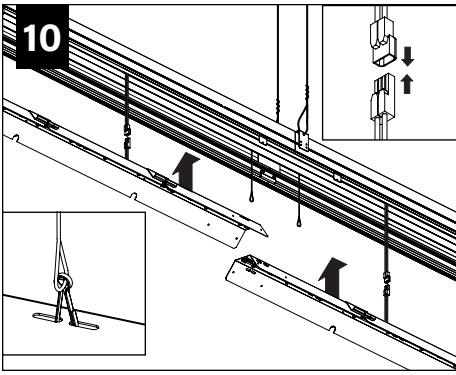
G3: 9/16" SLOT-TEE TEGULAR TILE
T1: STD 15/16" TEGULAR TILE
T2: STD 9/16" TEGULAR TILE
T6: 9/16" NODE TEGULAR TILE



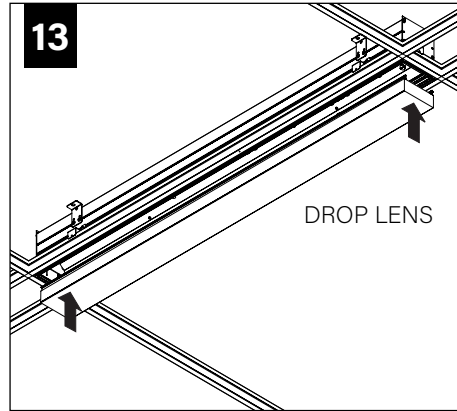
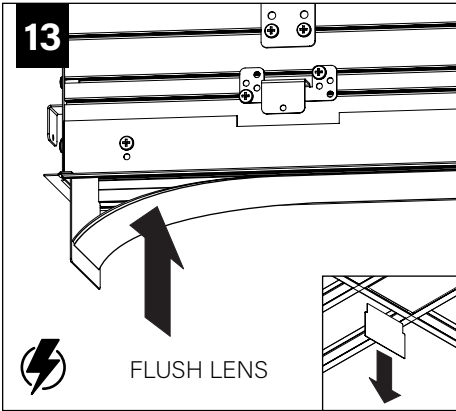
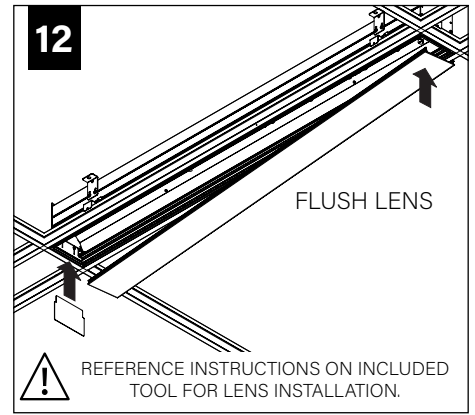
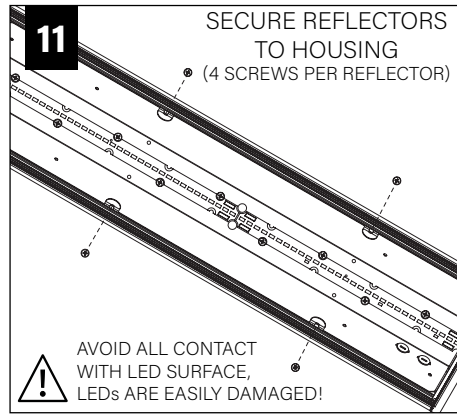
T4: TALL 15/16" TEGULAR TILE
T5: TALL 9/16" TEGULAR TILE

! STD = 1-1/2" TEE HEIGHT, TALL = 1-11/16" TEE HEIGHT

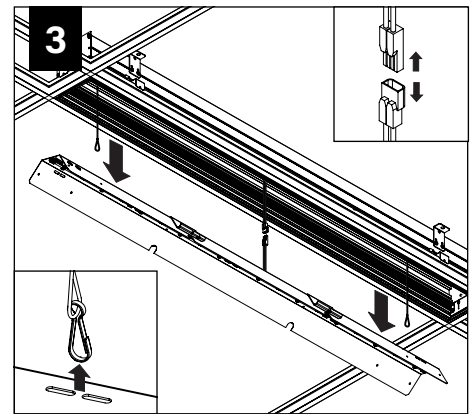
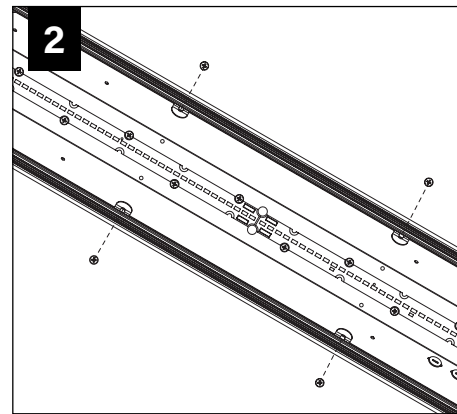
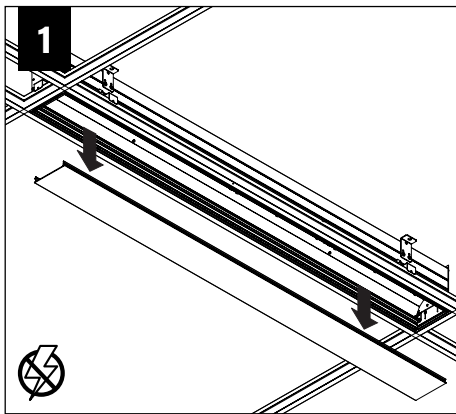




MAKE ELECTRICAL CONNECTION



DRIVER SERVICE



EMERGENCY

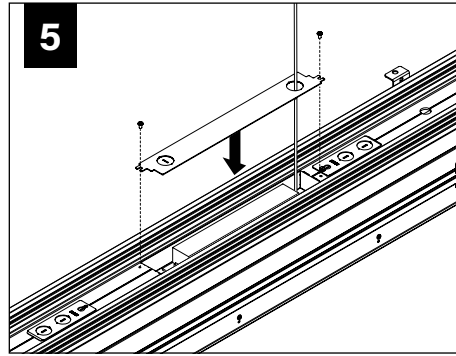
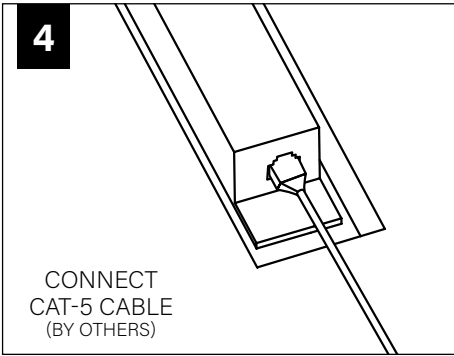
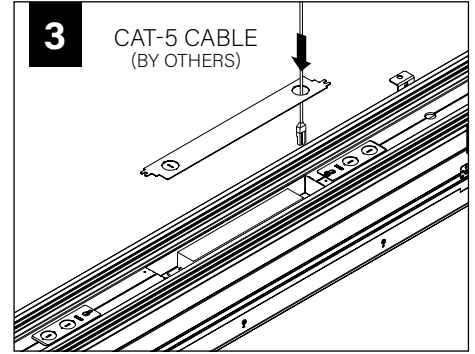
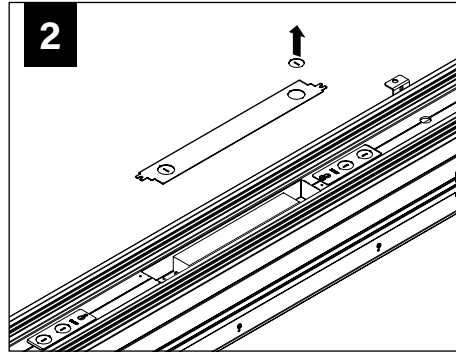
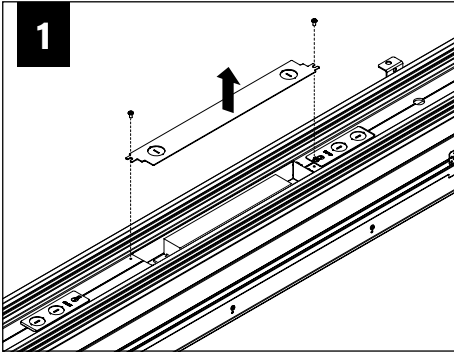


SEE BATTERY MANUFACTURER INSTRUCTIONS

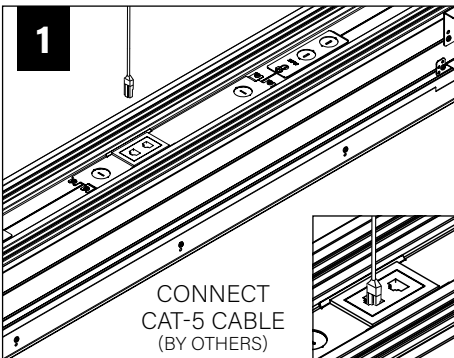
EMERGENCY BATTERY
MAXIMUM MOUNTING HEIGHT: 18.00'

EMERGENCY CIRCUIT
MAXIMUM MOUNTING HEIGHT: 21.00'

ACUITY nLIGHT



WATTSTOPPER



HUBBELL NX

