

Seem® 4 LED

Grid Ceiling | FSM4L-G



FOCAL POINT®

BEFORE YOU BEGIN

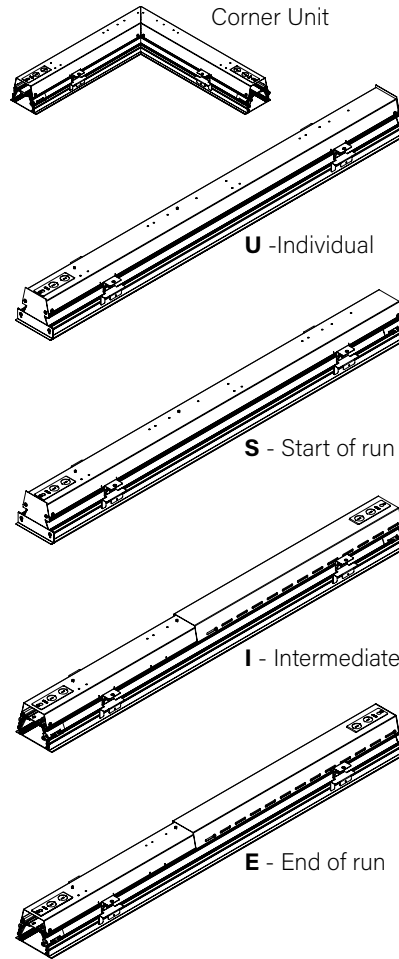
- Luminaires must be installed by a qualified electrician (check with local and national codes for proper installation).
- To prevent electrical shock, disconnect electrical supply before installation or servicing.
- Contractor is responsible for adequately reinforcing walls and/or ceilings to support fixture weight.
- Focal Point, LLC accepts no responsibility for inadequately reinforced walls and/or ceilings.
- The information contained in this drawing is the sole property of Focal Point, LLC. Any reproduction in part or whole without the written permission of Focal Point, LLC is prohibited.

INSTRUCTION KEY

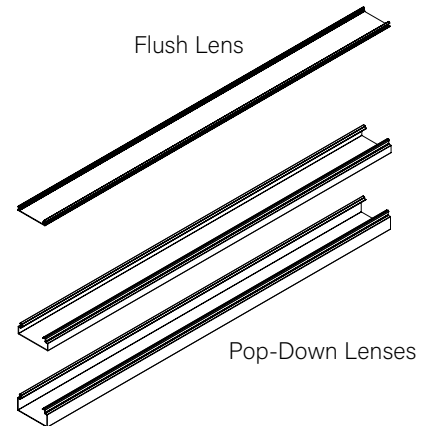
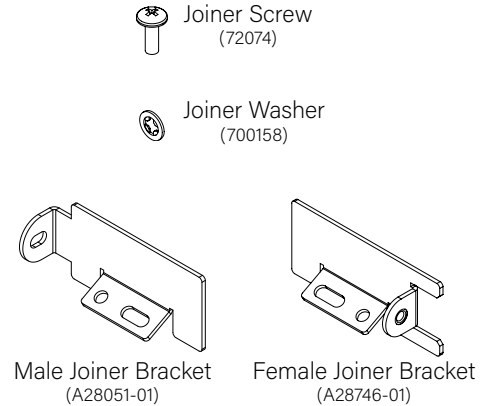
- ATTENTION**
- SEE ADDITIONAL INSTRUCTIONS**
- POWER OFF**
- POWER ON**

COMPONENT KEY

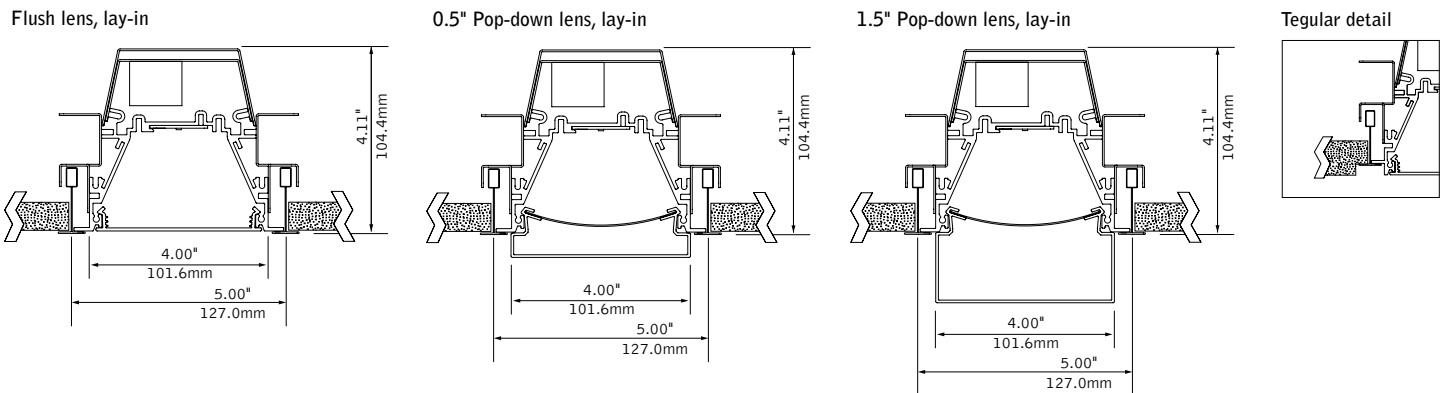
FOCAL POINT



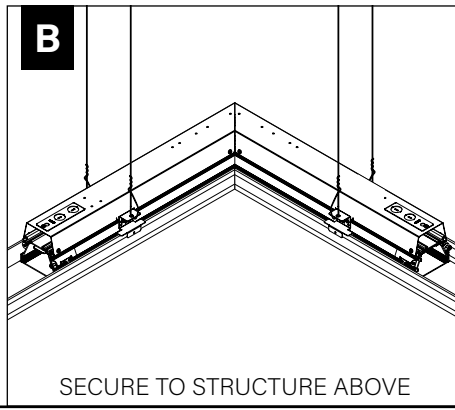
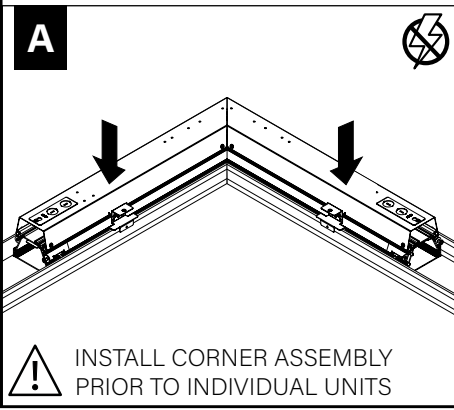
PARTS SHIPPED INSTALLED



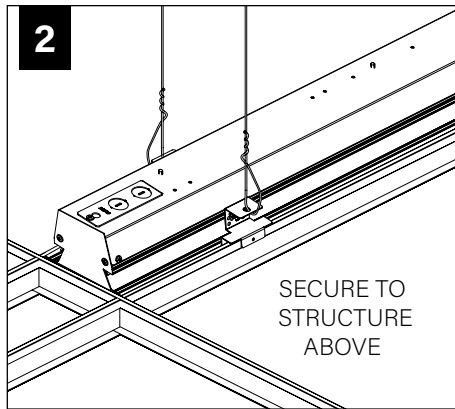
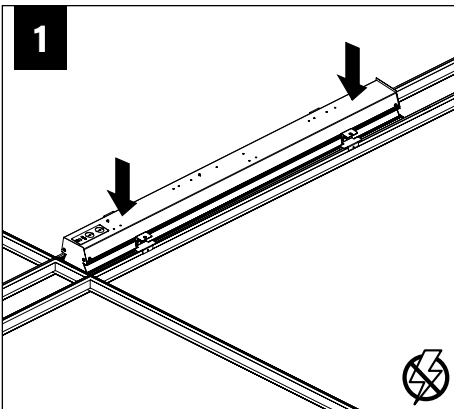
GRID MOUNT ONLY - SPACING FOR ALL GRID TYPES



CORNER ASSEMBLY

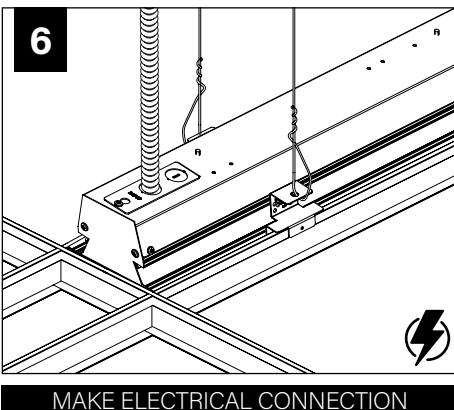
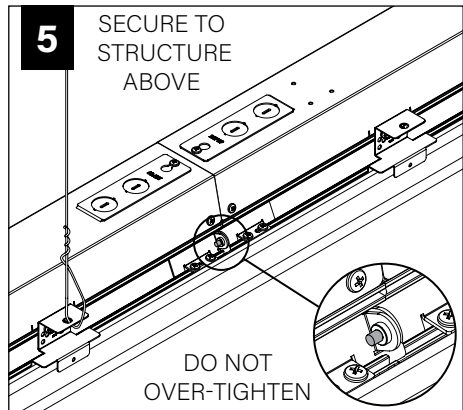
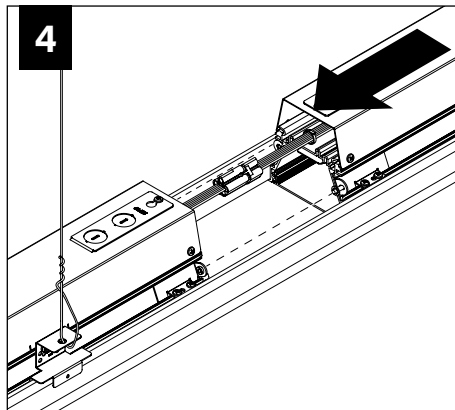
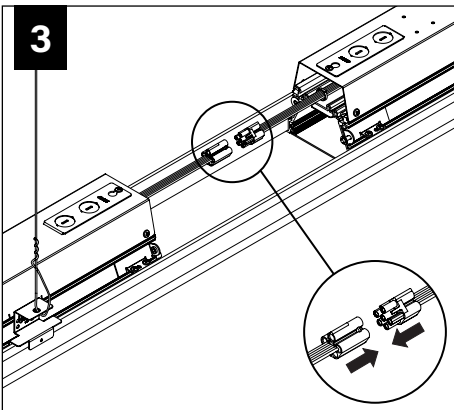


JOINING INSTALLATIONS
SKIP TO STEP 3



INDIVIDUAL INSTALLATIONS
SKIP TO STEP 6

NOTE: INDIVIDUAL UNITS CANNOT BE JOINED IN THE FIELD.



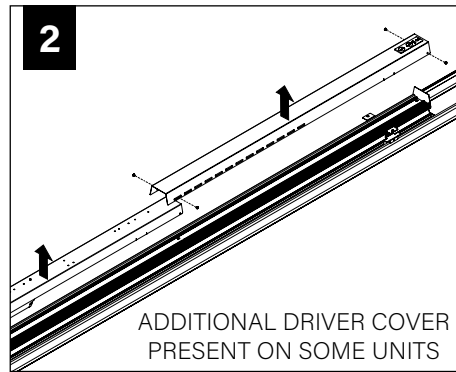
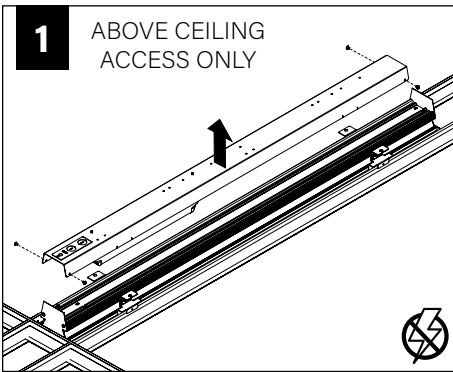
EMERGENCY

I

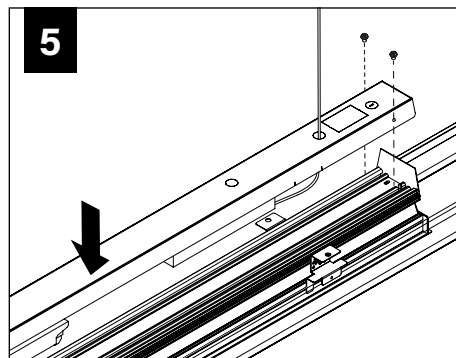
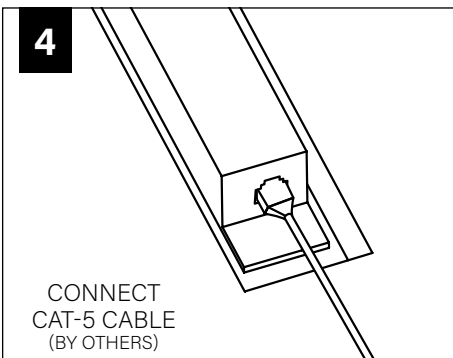
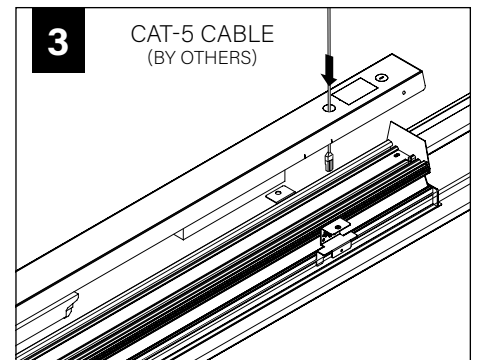
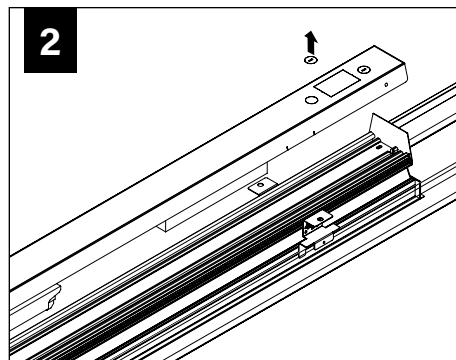
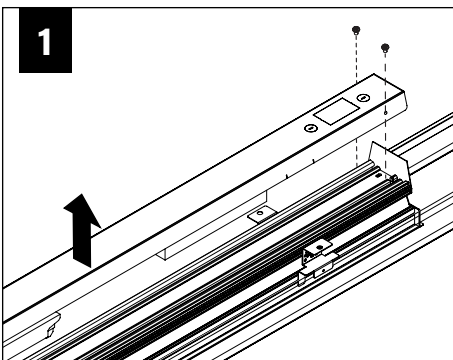
SEE BATTERY MANUFACTURER INSTRUCTIONS

EMERGENCY MAXIMUM MOUNTING HEIGHT:
 FLUSH LENS: 19.00'
 1/2" POP-DOWN LENS: 16.00'

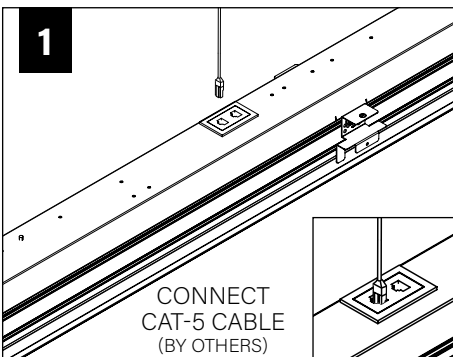
DRIVER SERVICE



ACUITY nLIGHT



WATTSTOPPER



HUBBELL NX

