

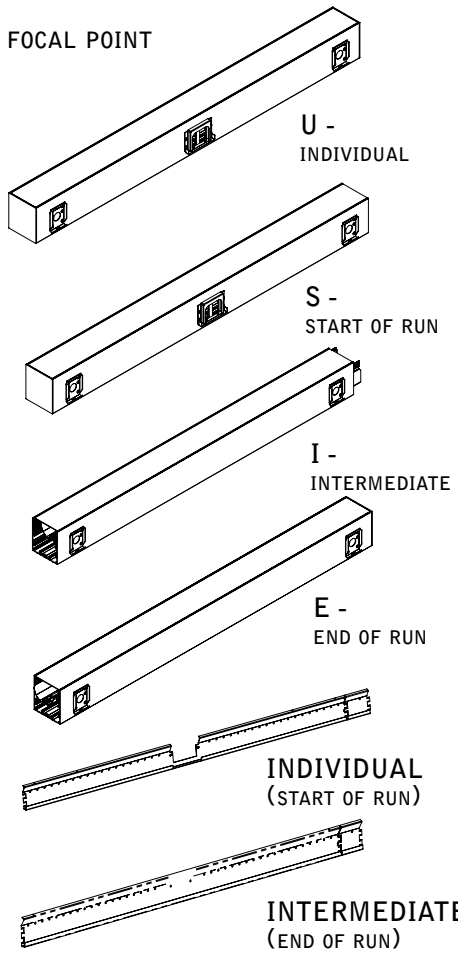
seem™ 4 led wall mount

FSM4LW



FOCAL POINT®

! CONFIGURATIONS ARE RUN SPECIFIC, PLEASE CONSULT FACTORY DRAWINGS BEFORE BEGINNING INSTALLATION. !



KEY

POWER OFF ATTENTION

POWER ON SEE ADDITIONAL INSTRUCTIONS

! INDIVIDUAL INSALLATIONS FOLLOW STEPS 1-3, 6 & 10-13

PARTS LISTS

SHIPPED IN HARDWARE BAG

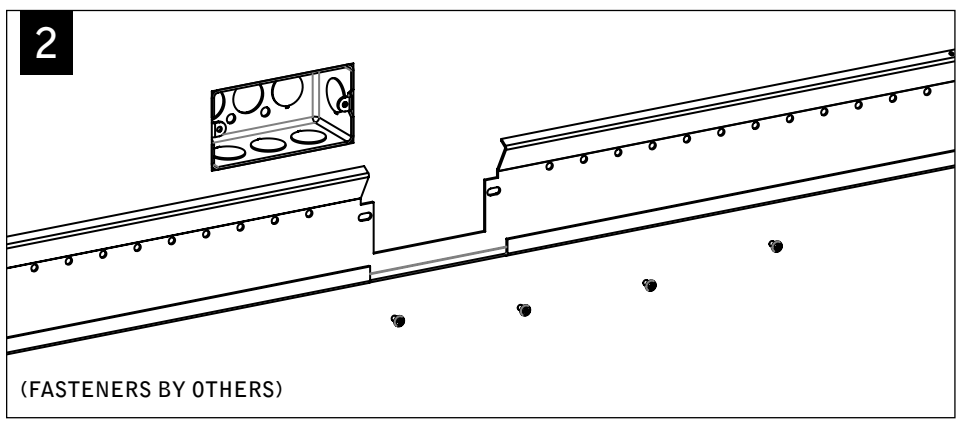
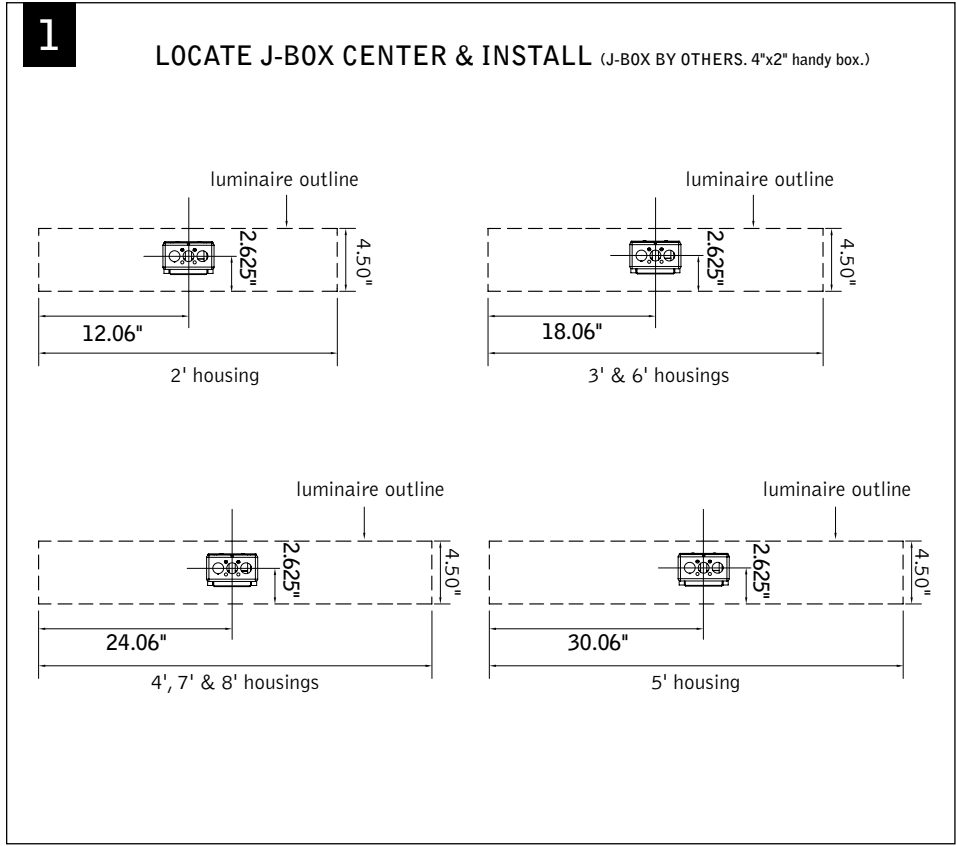
REFLECTOR (70008)
(6-32 X 5/16 PAN-HEAD MACHINE SCREW)

SHIPPED INSTALLED

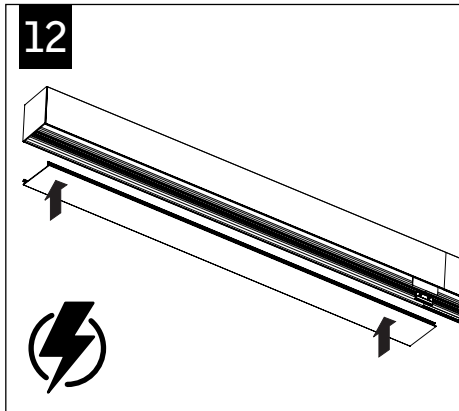
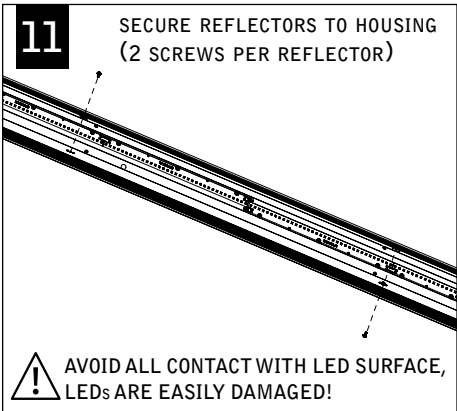
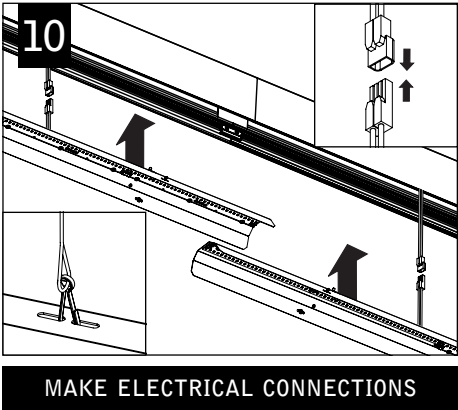
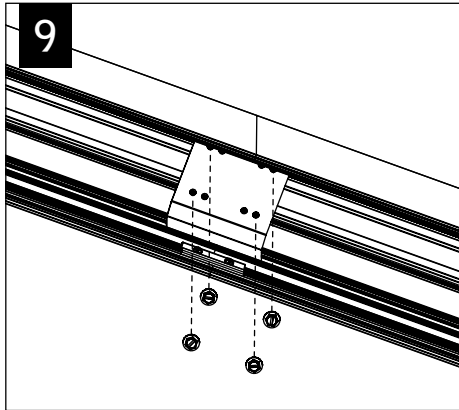
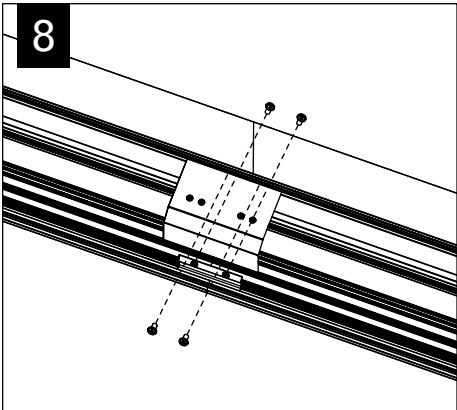
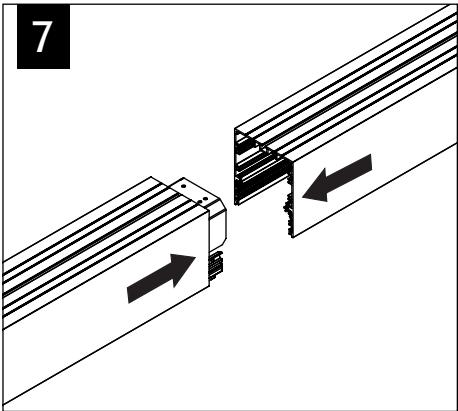
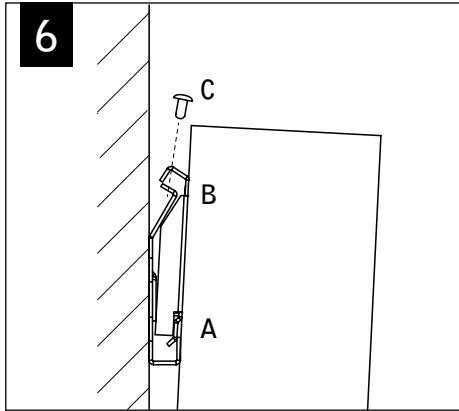
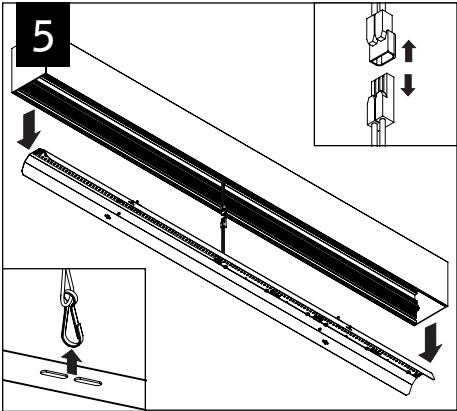
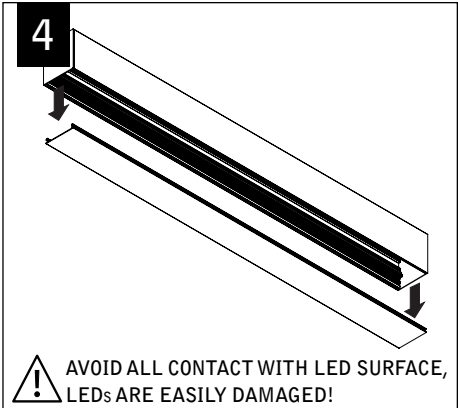
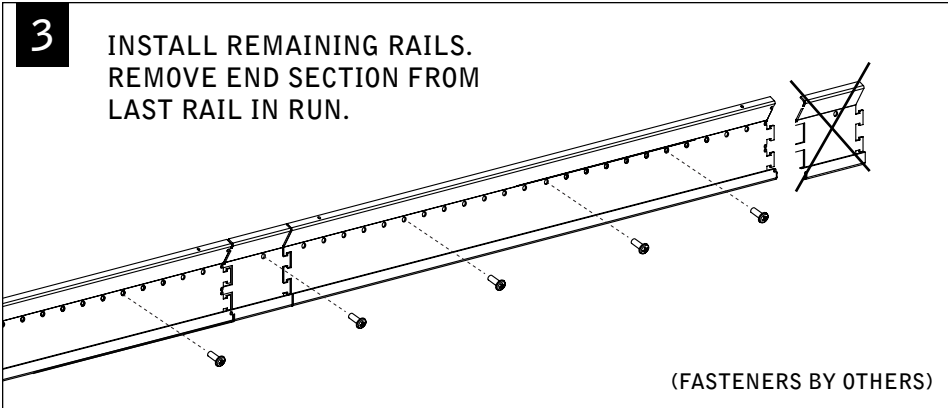
JOINER PIN (W5687)

JOINER BRACKET (18338)

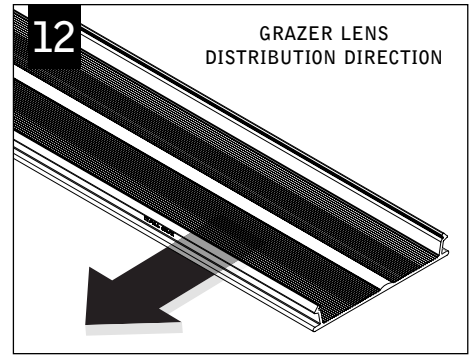
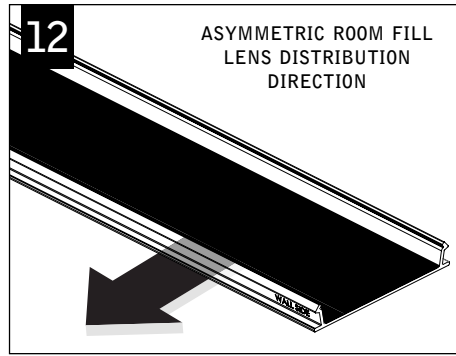
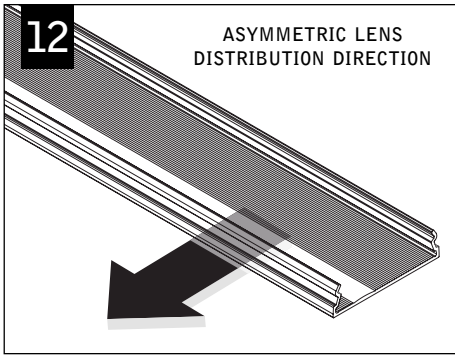
JOINER BRACKET (11849)



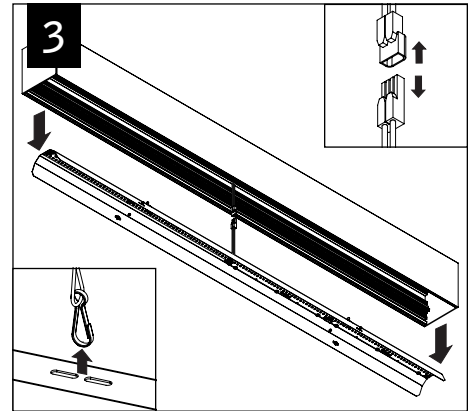
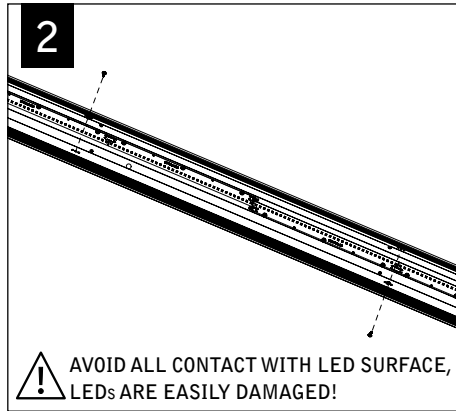
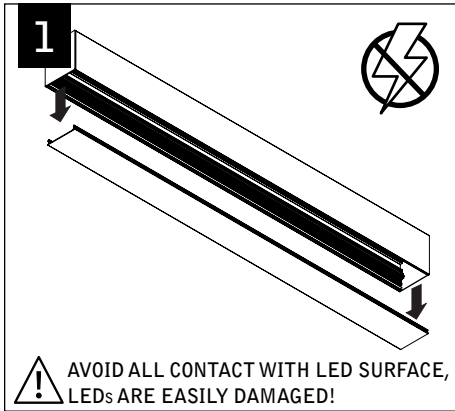
Luminaires must be installed by a qualified electrician (check with local and national codes for proper installation).
To prevent electrical shock, disconnect electrical supply before installation or servicing.



Luminaires must be installed by a qualified electrician (check with local and national codes for proper installation). To prevent electrical shock, disconnect electrical supply before installation or servicing.



DRIVER SERVICE



EMERGENCY


SEE BATTERY MANUFACTURER INSTRUCTIONS

 EMERGENCY MAXIMUM MOUNTING HEIGHT:
19.00'

Contractor is responsible for adequately reinforcing walls and/or ceilings to support luminaire weight. Focal Point, LLC accepts no responsibility for inadequately reinforced walls and/or ceilings. The information contained in this drawing is the sole property of Focal Point, LLC. Any reproduction in part or whole without the written permission of Focal Point, LLC is prohibited.