

seem™ 4 led surface mount

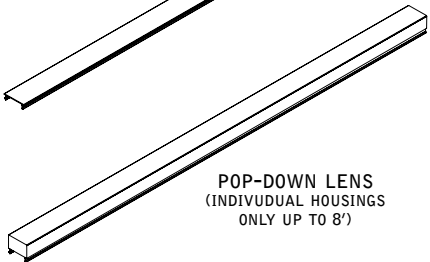
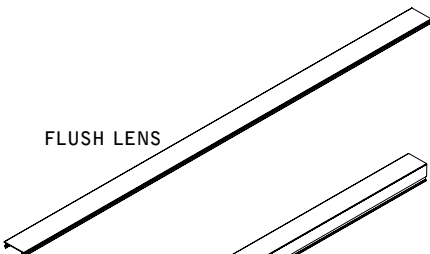
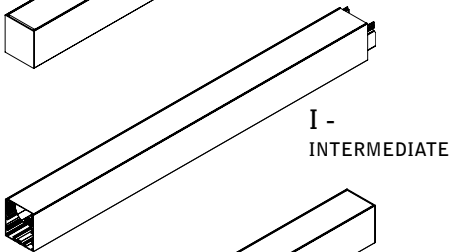
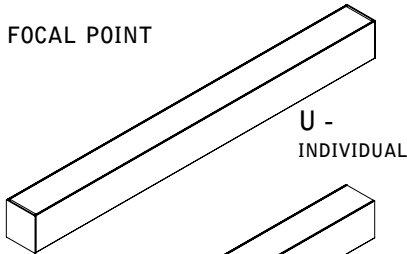
FSM4LS-SM



FOCAL POINT®

! CONFIGURATIONS ARE RUN SPECIFIC, PLEASE CONSULT FACTORY DRAWINGS BEFORE BEGINNING INSTALLATION. !

FOCAL POINT



KEY



POWER OFF



ATTENTION



POWER ON



SEE ADDITIONAL INSTRUCTIONS

! INDIVIDUAL INSTALLATIONS FOLLOW STEPS 1-3 & 7-10

PARTS LISTS

SHIPPED IN HARDWARE BAG

REFLECTOR (70008)
(6-32 X 5/16 PAN-HEAD MACHINE SCREW)

SHIPPED INSTALLED

JOINER PIN (W5687)

JOINER BRACKET (11920)

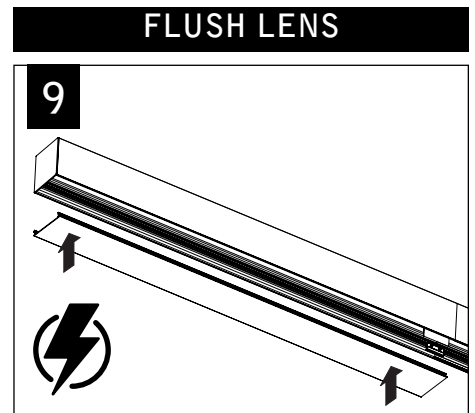
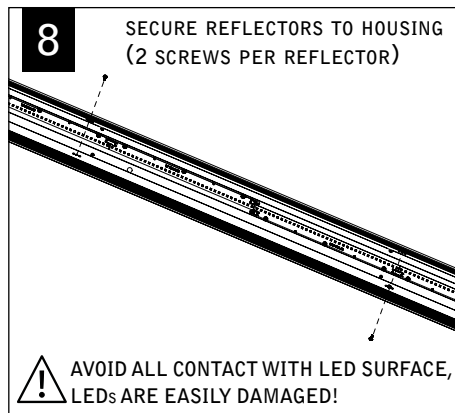
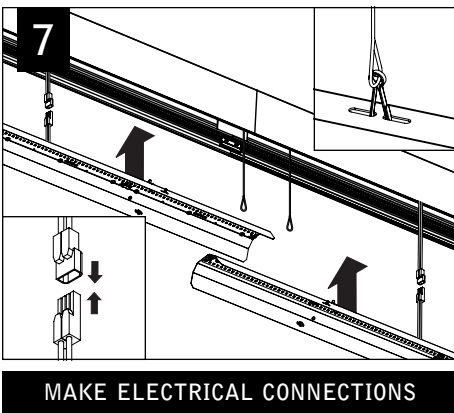
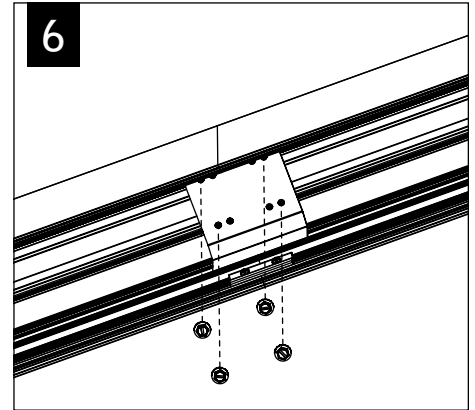
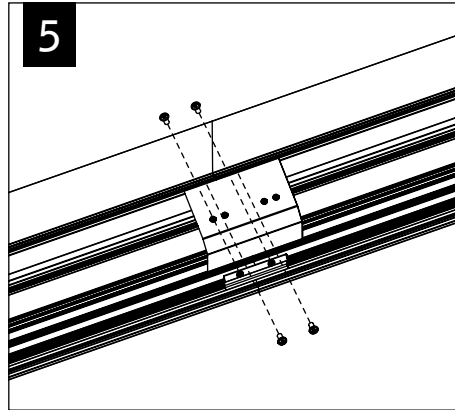
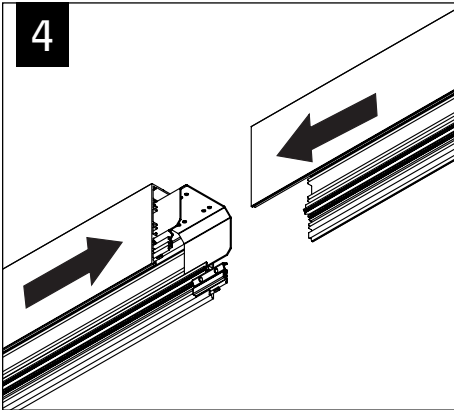
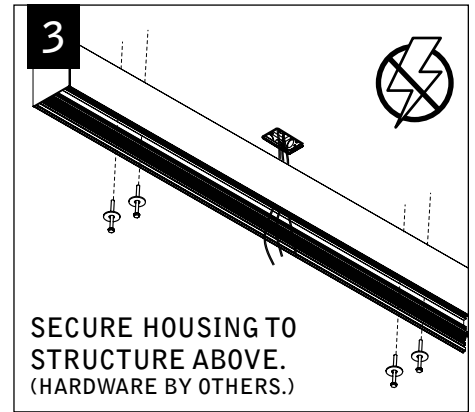
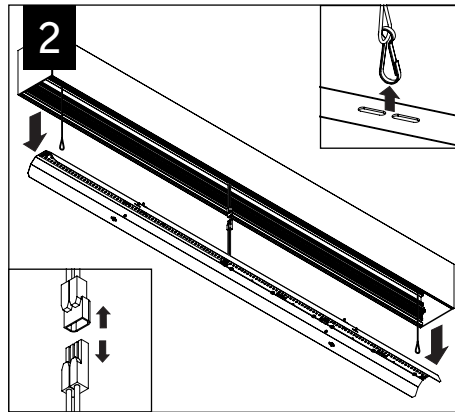
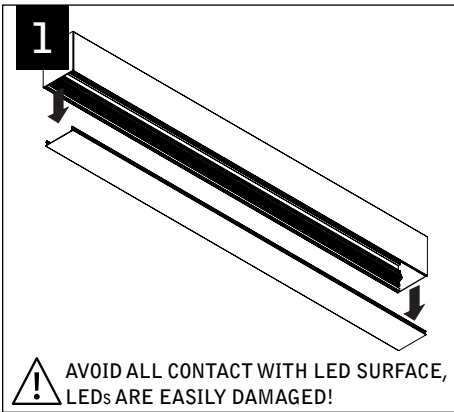
JOINER BRACKET (11849)

MOUNTING

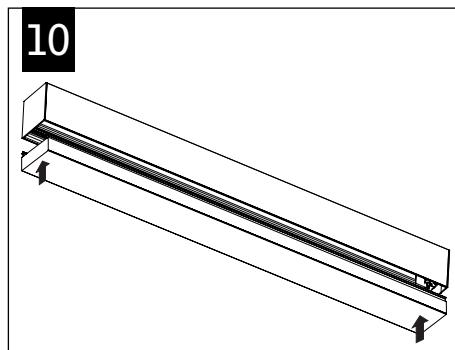
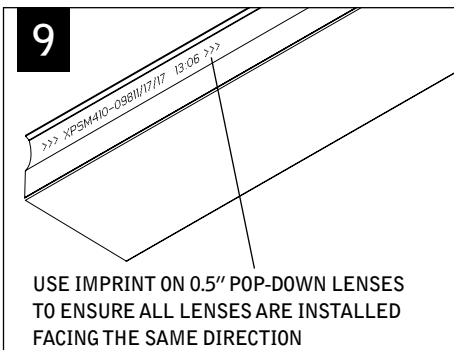


FEEED LOCATION IS ALWAYS CENTERED IN HOUSING.
USE SINGLE DEVICE COVER OR SINGLE GANG HANDY BOX AND MOUNTING HARDWARE (BY OTHERS)

Luminaires must be installed by a qualified electrician (check with local and national codes for proper installation).
To prevent electrical shock, disconnect electrical supply before installation or servicing.

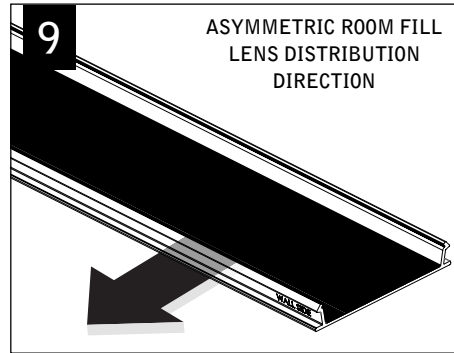
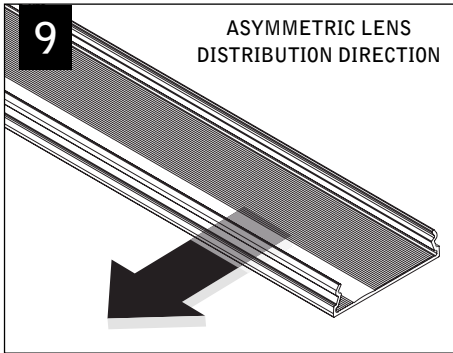


POP-DOWN LENS

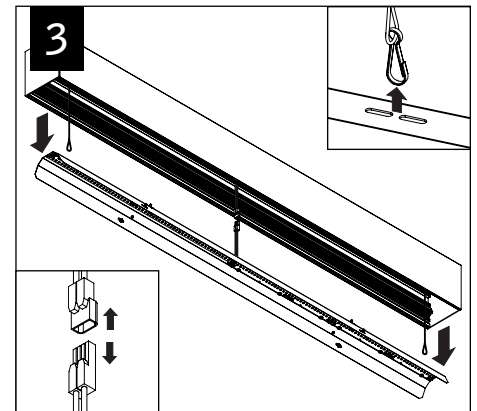
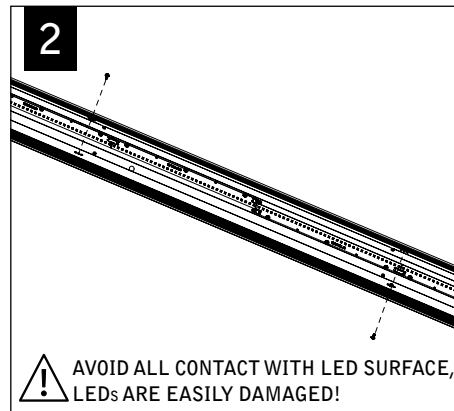
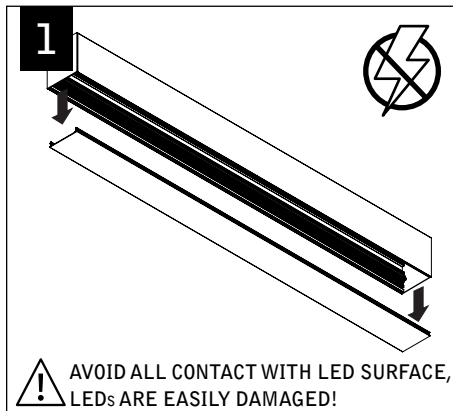


Luminaires must be installed by a qualified electrician (check with local and national codes for proper installation).
To prevent electrical shock, disconnect electrical supply before installation or servicing.

ASYMMETRIC LENS



DRIVER SERVICE



EMERGENCY



SEE BATTERY MANUFACTURER INSTRUCTIONS

EMERGENCY MAXIMUM MOUNTING HEIGHT:
19.00'