

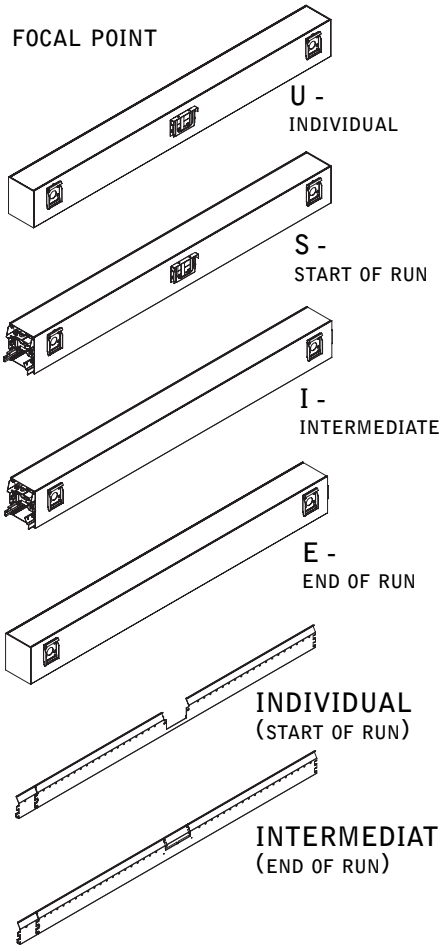
# seem™ 4 led direct/indirect wall mount

FSM4BW

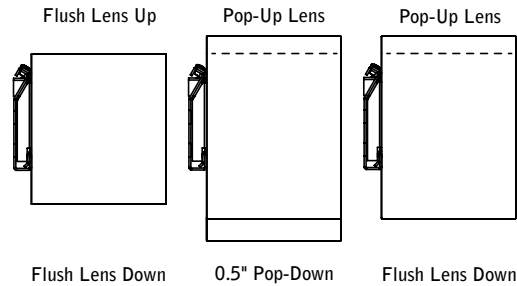


FOCAL POINT™

**! CONFIGURATIONS ARE RUN SPECIFIC, PLEASE CONSULT FACTORY DRAWINGS BEFORE BEGINNING INSTALLATION. !**



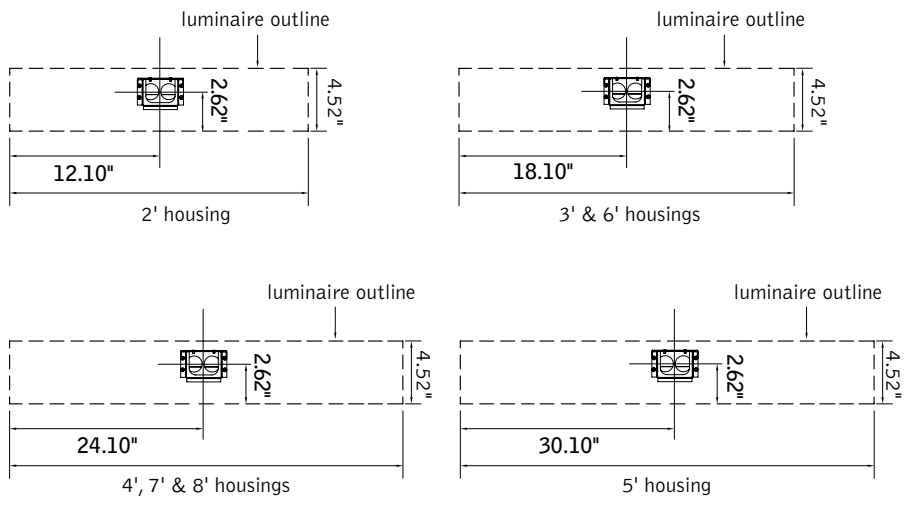
**KEY**



**! INDIVIDUAL INSTALLATIONS FOLLOW STEPS 1-3, 5 & 11**

**1**

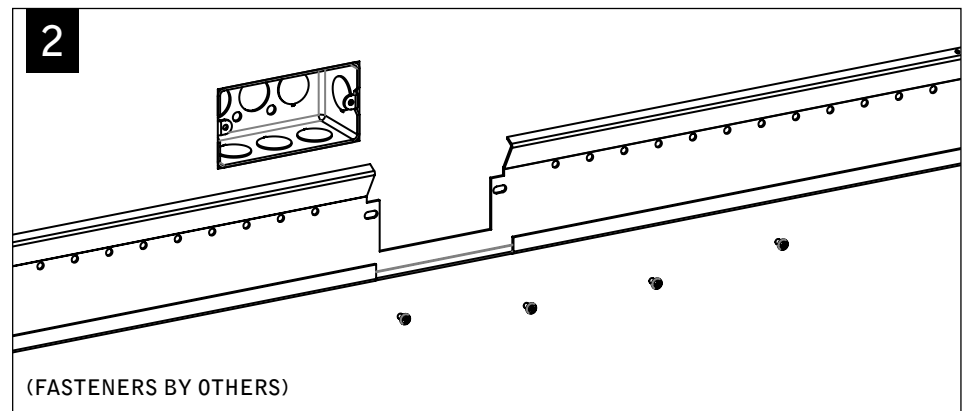
**LOCATE J-BOX CENTER & INSTALL** (J-BOX BY OTHERS. 4"x2" handy box.)



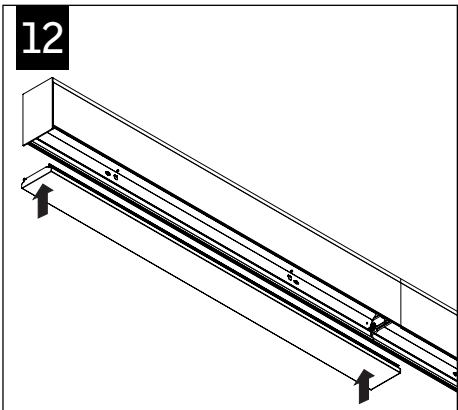
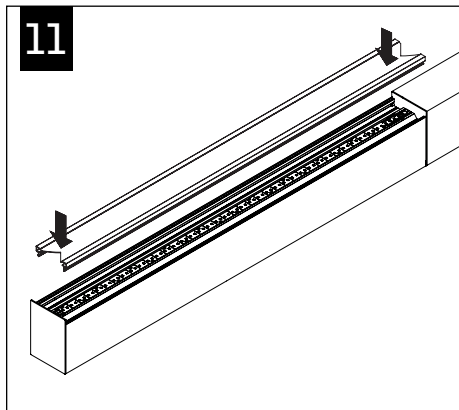
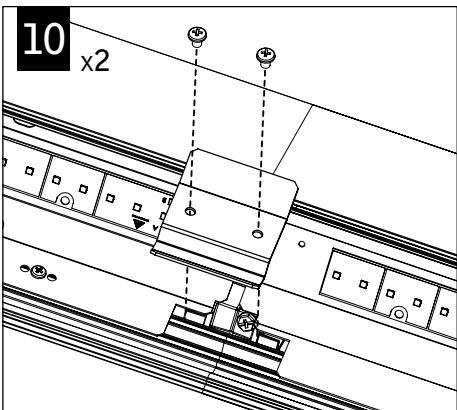
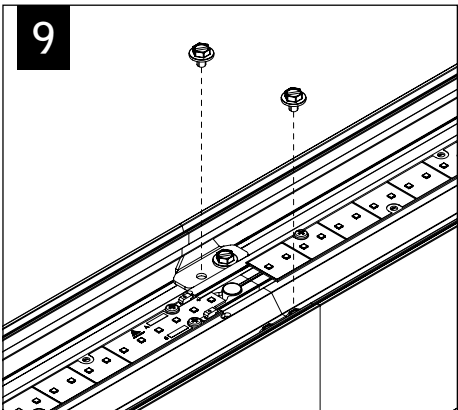
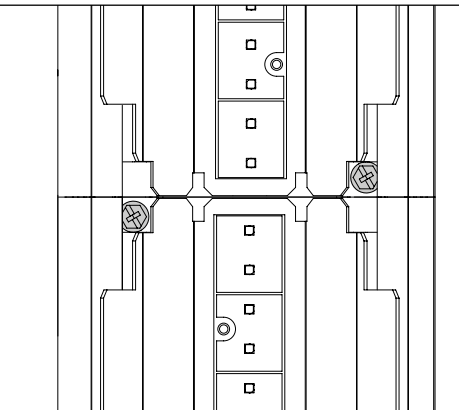
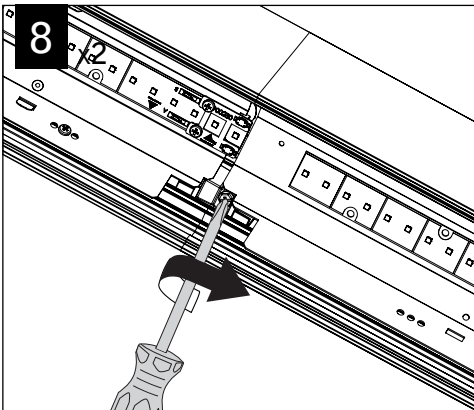
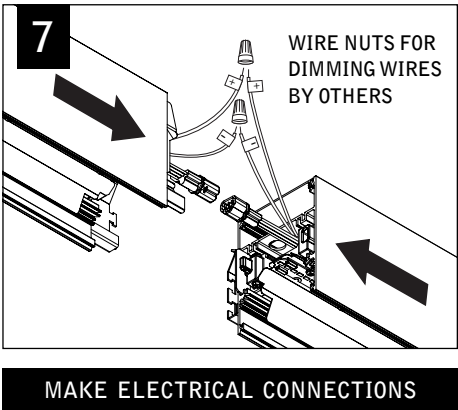
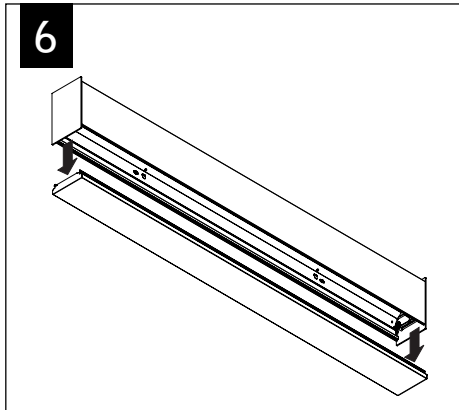
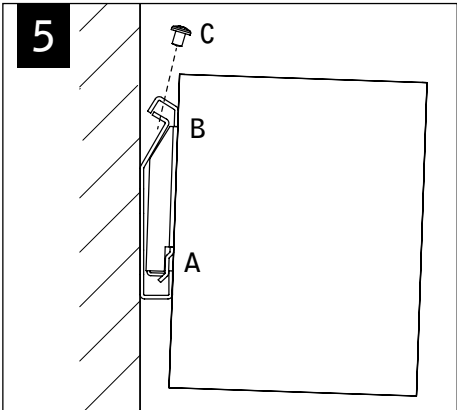
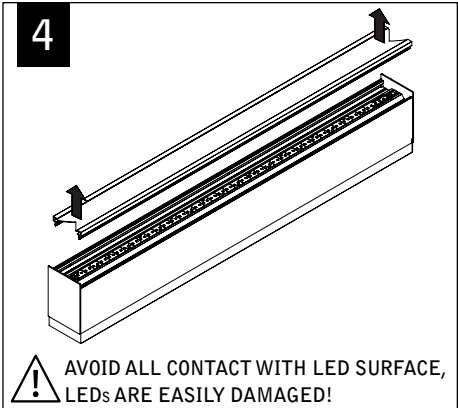
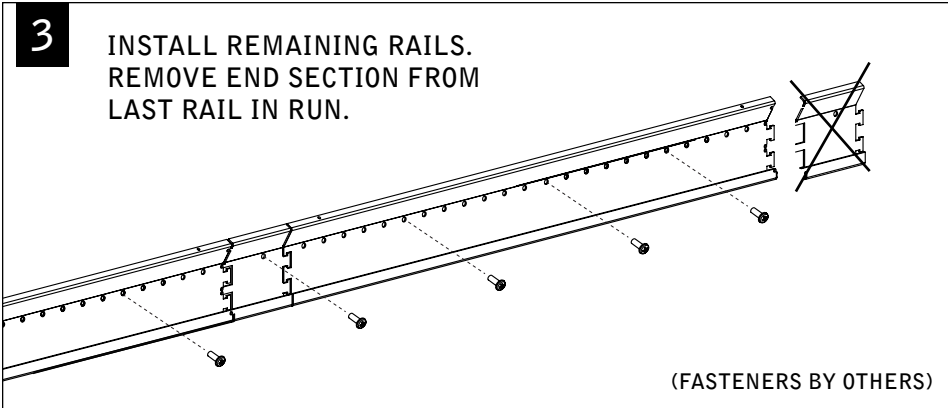
**PARTS LISTS**

SHIPPED		INSTALLED	
JOINER (72010)	BOTTOM BRACKET JOINER (A42759-01)	TOP BRACKET JOINER (A38740-01)	JOINER ASSEMBLY (A40688)
(6-32 X 5/16 PAN-HEAD MACHINE SCREW)			

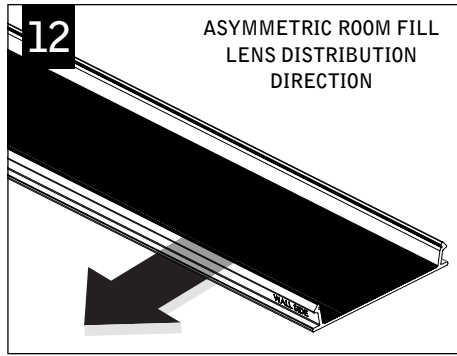
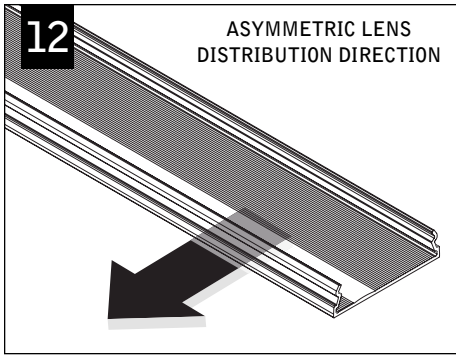
**2**



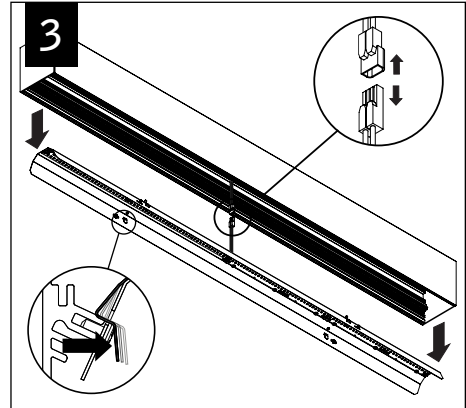
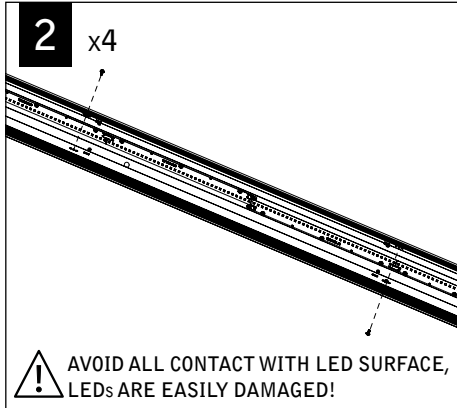
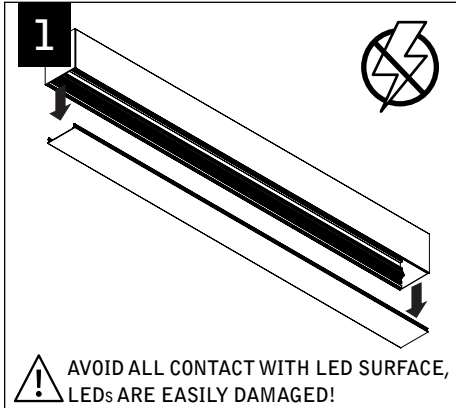
Luminaires must be installed by a qualified electrician (check with local and national codes for proper installation). To prevent electrical shock, disconnect electrical supply before installation or servicing.



Luminaires must be installed by a qualified electrician (check with local and national codes for proper installation).  
To prevent electrical shock, disconnect electrical supply before installation or servicing.



**DRIVER SERVICE**



**EMERGENCY**

**A**

**I**

SEE BATTERY MANUFACTURER INSTRUCTIONS

EMERGENCY BATTERY  
MAXIMUM MOUNTING HEIGHT: 17.75'

Contractor is responsible for adequately reinforcing walls and/or ceilings to support luminaire weight. Focal Point, LLC accepts no responsibility for inadequately reinforced walls and/or ceilings. The information contained in this drawing is the sole property of Focal Point, LLC. Any reproduction in part or whole without the written permission of Focal Point, LLC is prohibited.