

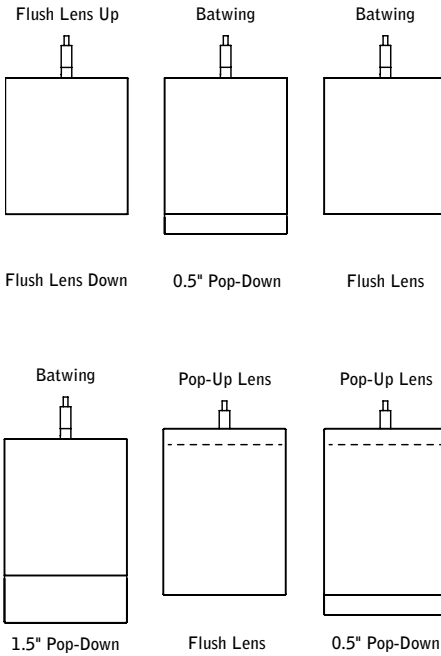
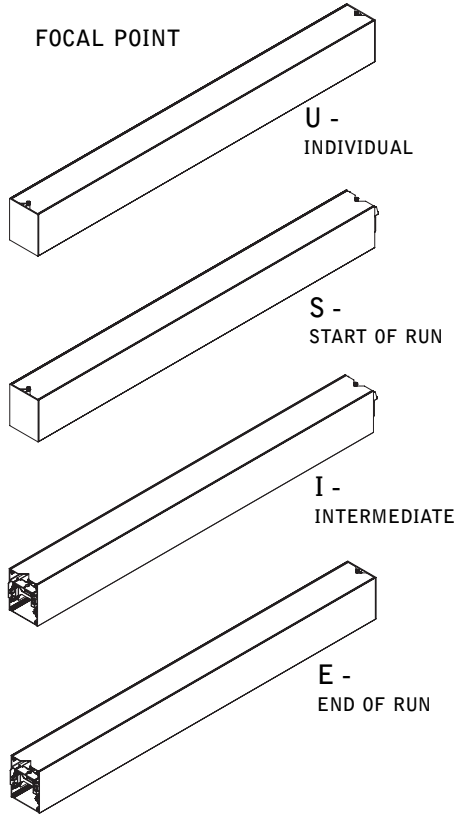
seem™ 4 led direct/indirect suspended

FSM4BS



FOCAL POINT®

! CONFIGURATIONS ARE RUN SPECIFIC, PLEASE CONSULT FACTORY DRAWINGS BEFORE BEGINNING INSTALLATION. !



- KEY**
- POWER OFF
 - POWER ON
 - ATTENTION
 - SEE ADDITIONAL INSTRUCTIONS

! INDIVIDUAL INSTALLATIONS FOLLOW STEPS 1-3, 10 & 11

PARTS LISTS

SHIPPED INSTALLED	
	JOINER (72010) (6-32 X 5/16 PAN-HEAD MACHINE SCREW)
	TOP BRACKET JOINER (A38740)
	BOTTOM BRACKET JOINER (A42759-01)
	CABLE GRIPPER (73008)
	JOINER ASSEMBLY (A40688)

1

FOLLOW FOCAL POINT INSTRUCTIONS FOR UNIVERSAL SUSPENSION SYSTEM ASSEMBLY. SEE IS0166

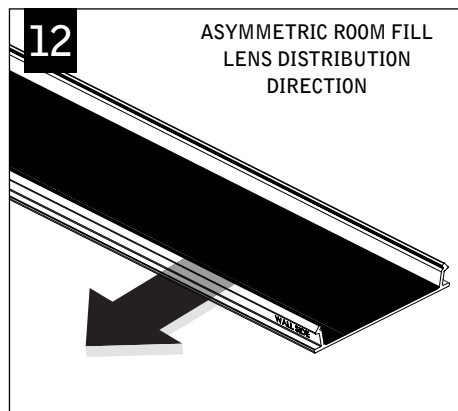
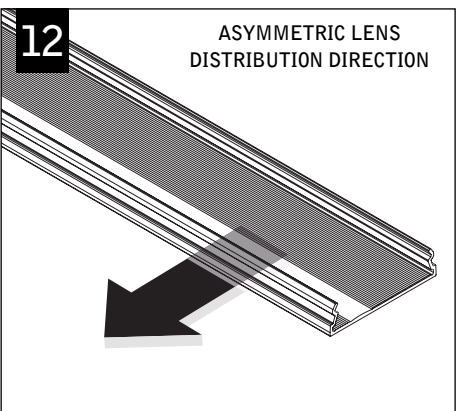
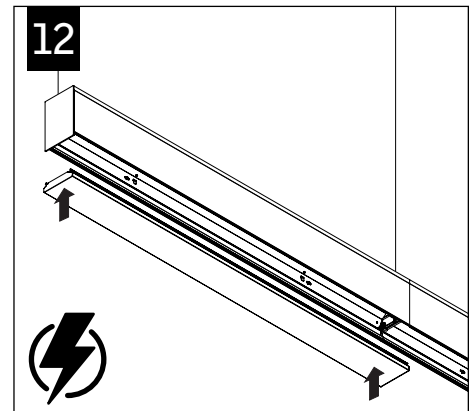
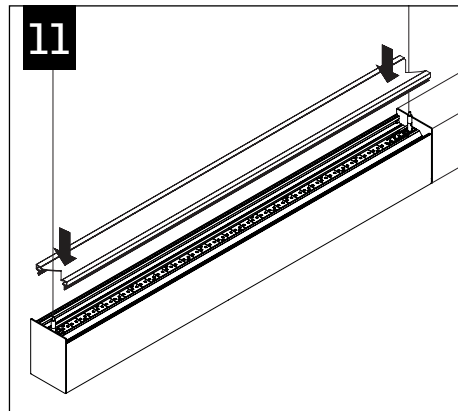
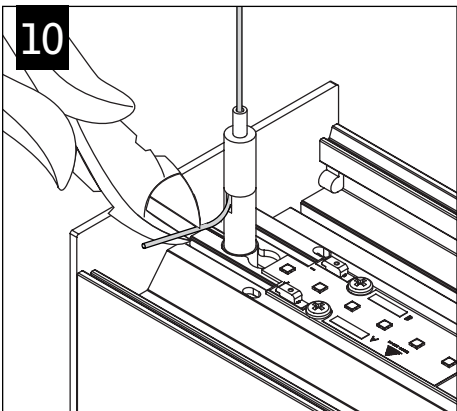
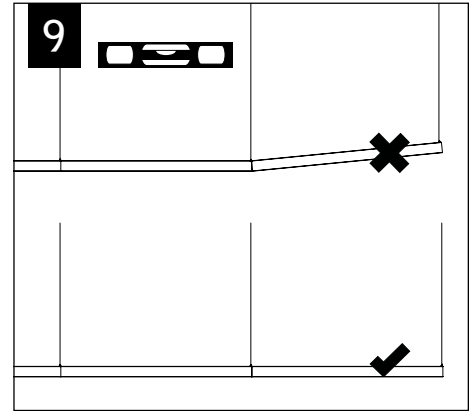
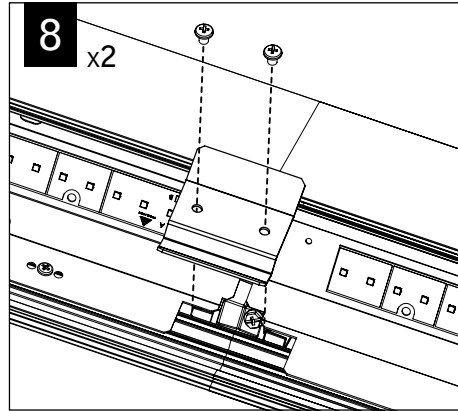
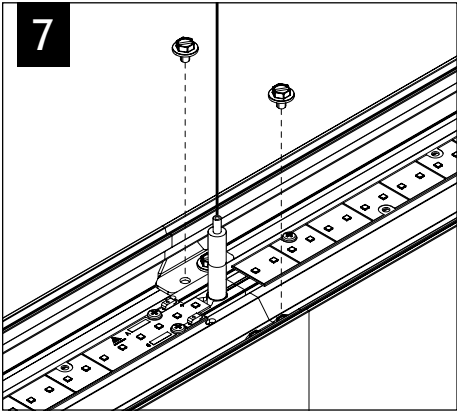
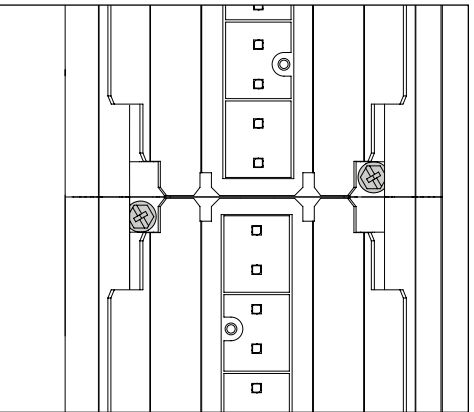
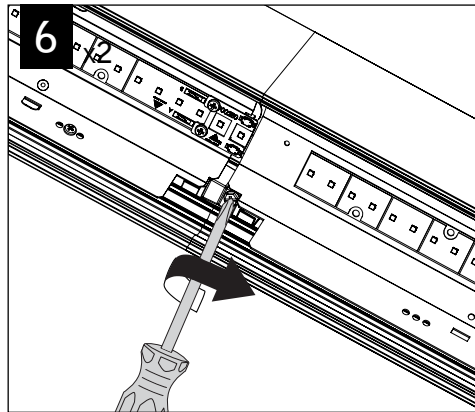
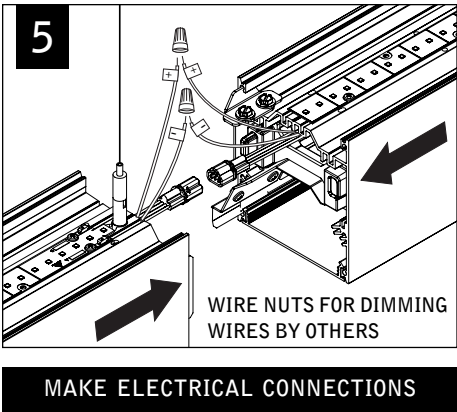
2

! AVOID ALL CONTACT WITH LED SURFACE, LEDs ARE EASILY DAMAGED!

3

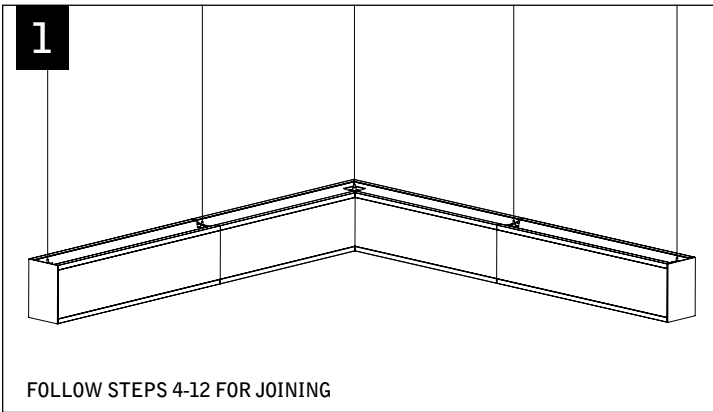
4

Luminaires must be installed by a qualified electrician (check with local and national codes for proper installation). To prevent electrical shock, disconnect electrical supply before installation or servicing.

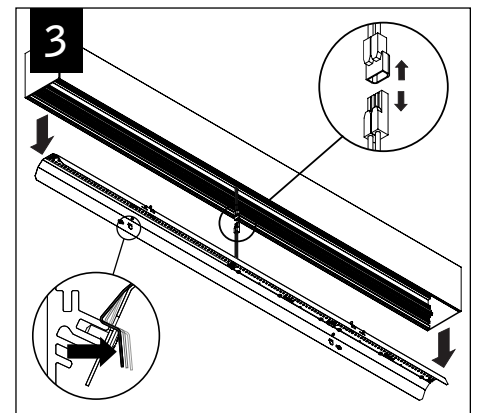
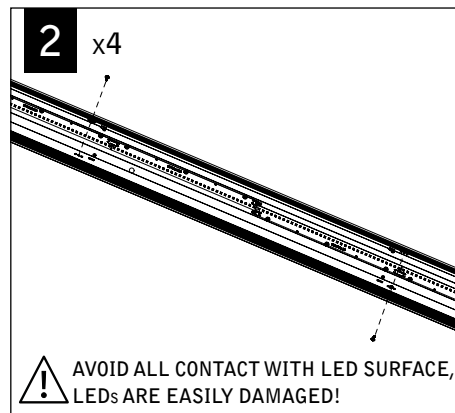
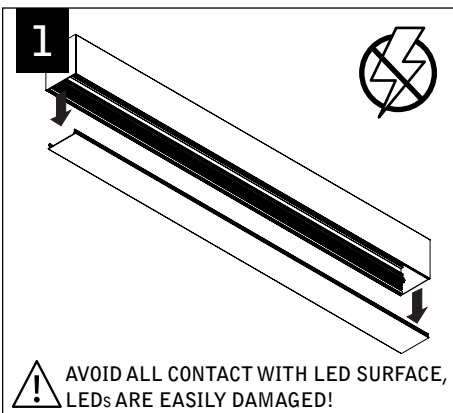


Luminaires must be installed by a qualified electrician (check with local and national codes for proper installation).
To prevent electrical shock, disconnect electrical supply before installation or servicing.

CORNER



DRIVER SERVICE



EMERGENCY



Contractor is responsible for adequately reinforcing walls and/or ceilings to support luminaire weight. Focal Point, LLC accepts no responsibility for inadequately reinforced walls and/or ceilings. The information contained in this drawing is the sole property of Focal Point, LLC. Any reproduction in part or whole without the written permission of Focal Point, LLC is prohibited.