

Seem 2 LED Direct/Indirect

Wall Mount | FSM2BW



FOCAL POINT®



BEFORE YOU BEGIN

- Luminaires must be installed by a qualified electrician (check with local and national codes for proper installation).
- To prevent electrical shock, disconnect electrical supply before installation or servicing.
- Contractor is responsible for adequately reinforcing walls and/or ceilings to support fixture weight.
- Focal Point, LLC accepts no responsibility for inadequately reinforced walls and/or ceilings.
- The information contained in this drawing is the sole property of Focal Point, LLC. Any reproduction in part or whole without the written permission of Focal Point, LLC is prohibited.

INSTRUCTION KEY



ATTENTION



SEE ADDITIONAL INSTRUCTIONS



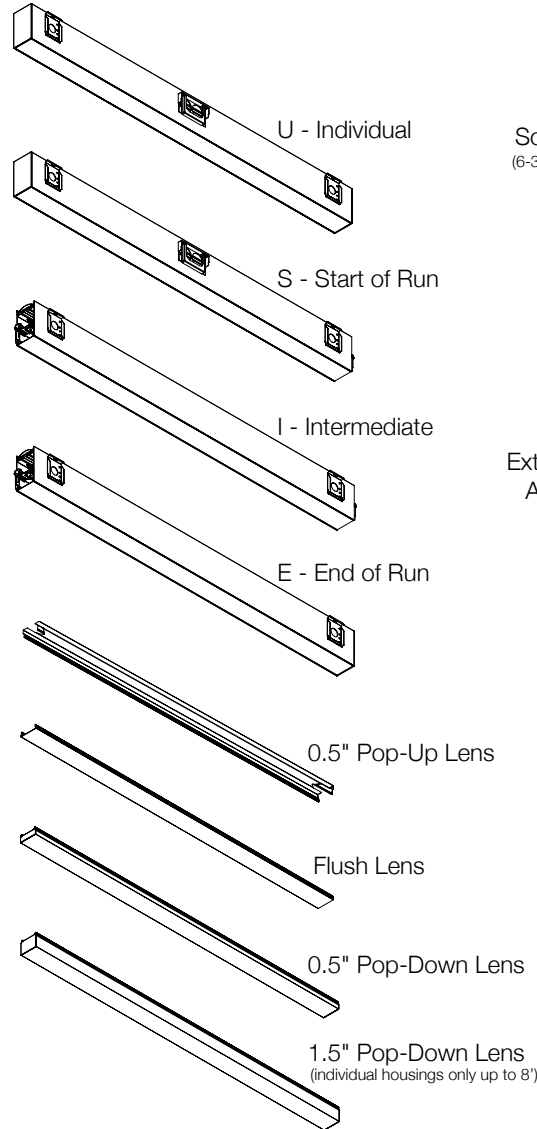
POWER OFF



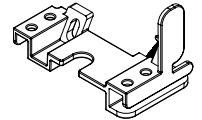
POWER ON

COMPONENT KEY

FOCAL POINT

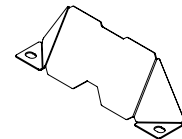


SHIPPED INSTALLED



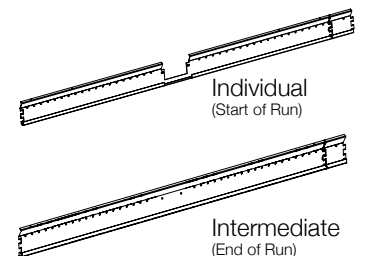
Joiner Bracket Assembly
(A48094-01)

SHIPPED IN HARDWARE BAG



Joiner Blocker
(A48495-01-WH)

MOUNTING RAIL



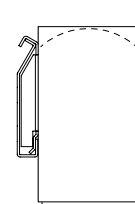
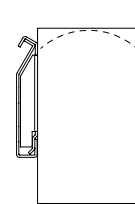
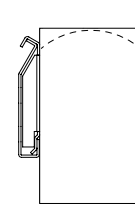
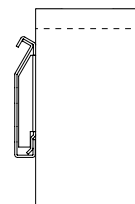
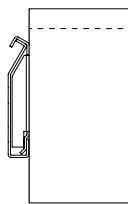
0.5" Pop-Up

0.5" Pop-Up

Dust Cover

Dust Cover

Dust Cover



Flush Lens Down

0.5" Pop-Down

Flush Lens Down

0.5" Pop-Down

1.5" Pop-Down

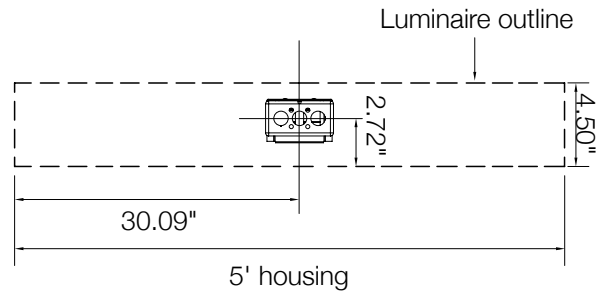
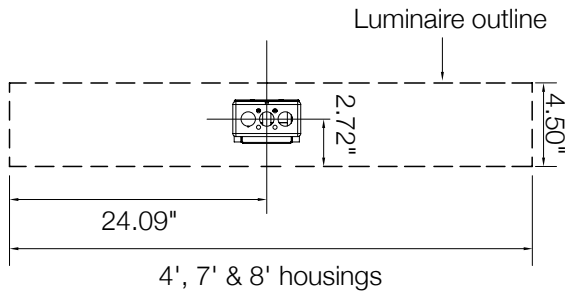
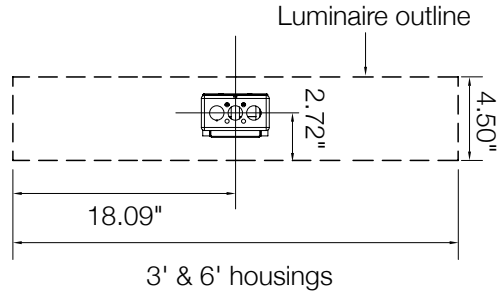
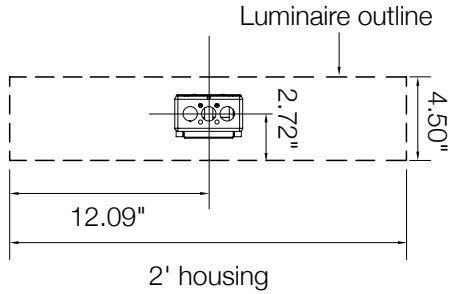
! INDIVIDUAL UNIT INSTALLATION FOLLOW STEPS 1-7, 11, 13 & 14

1

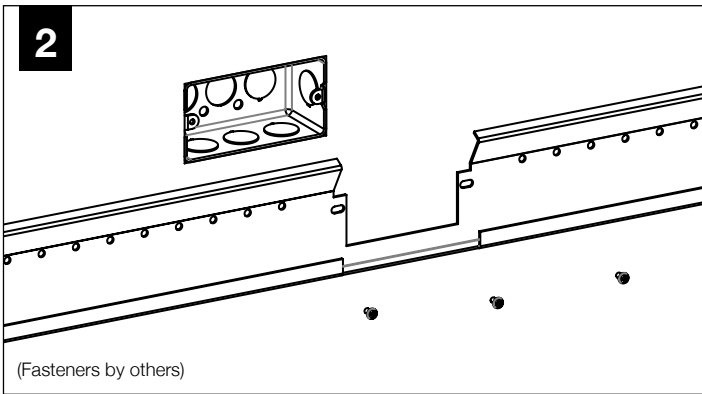


Dimensions shown are from the room side observing the wall

Locate j-box center & install (j-box by others. 4"X2" handy box.)

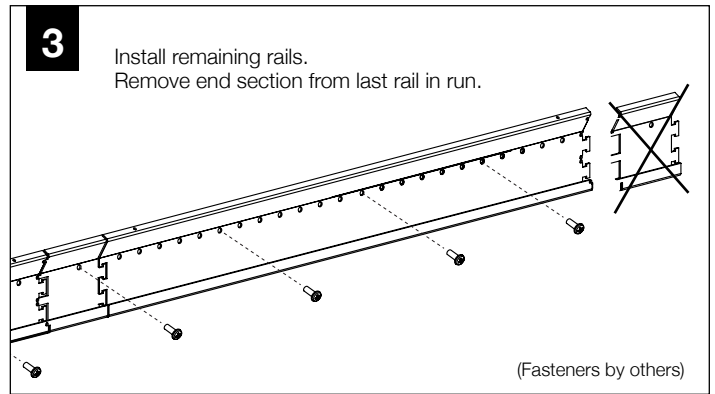


2

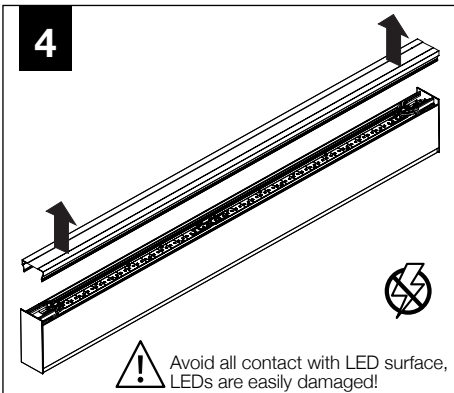


3

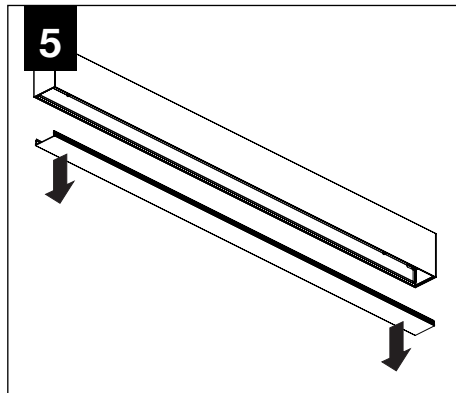
Install remaining rails.
Remove end section from last rail in run.



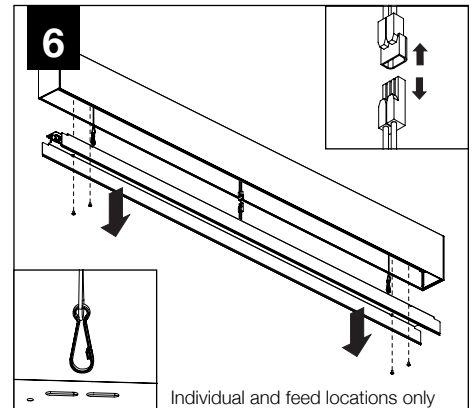
4

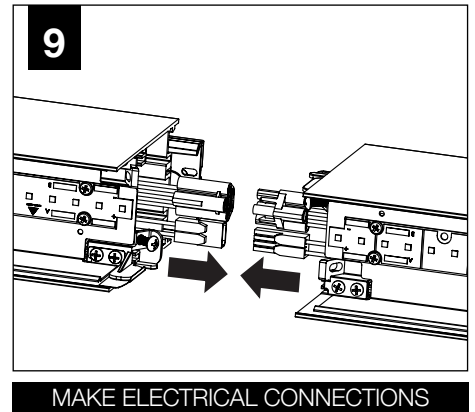
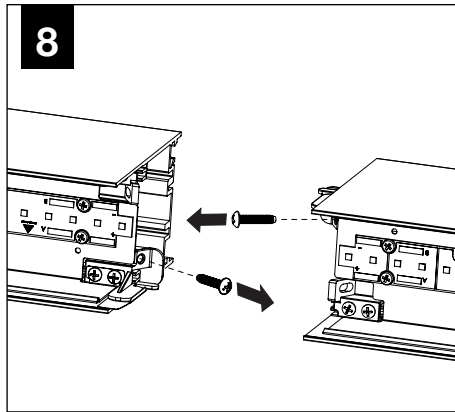
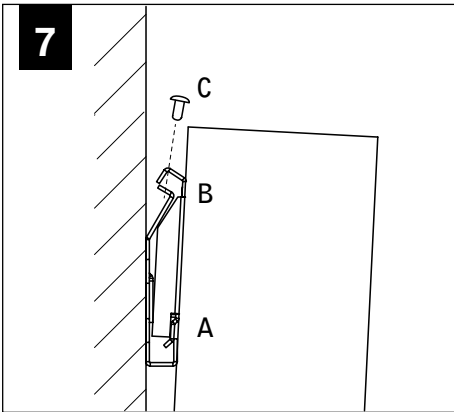


5

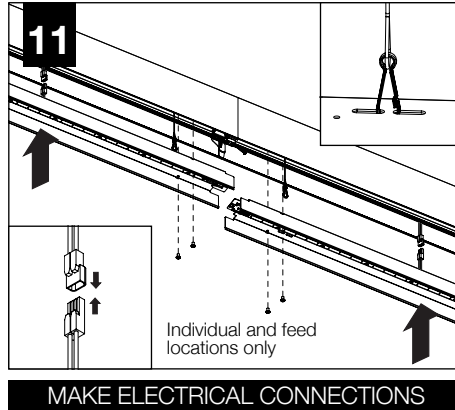
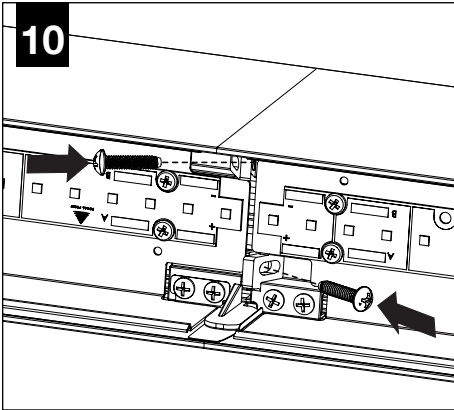


6

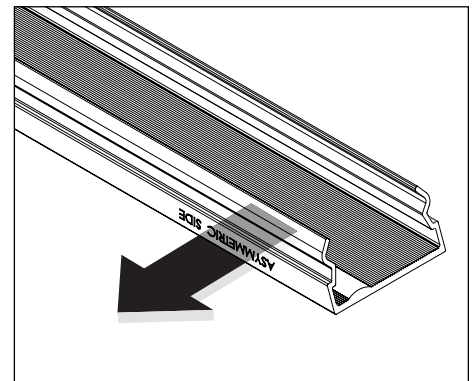
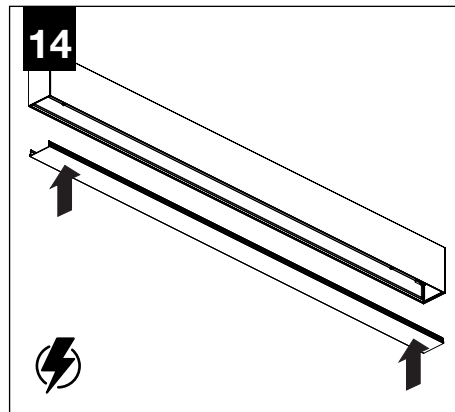
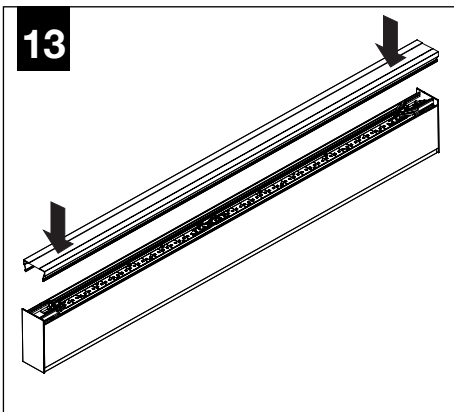
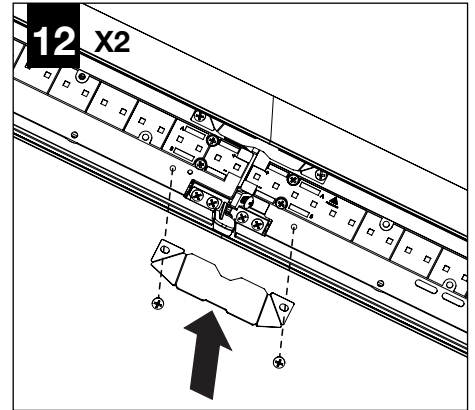




MAKE ELECTRICAL CONNECTIONS



MAKE ELECTRICAL CONNECTIONS



Asymmetric Lens Distribution Direction

DRIVER SERVICE

