

# Seem™ 1 wall to ceiling corners

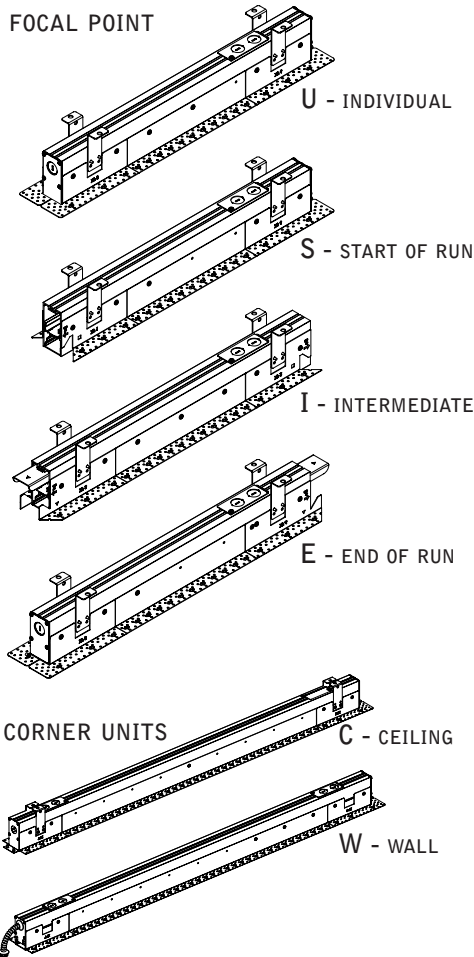
FSM1-CXF




FOCAL POINT®


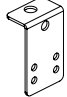
! LUMINAIRE MUST BE INSTALLED PRIOR TO DRYWALL. !  
! CONFIGURATIONS ARE RUN SPECIFIC, PLEASE CONSULT FACTORY DRAWINGS BEFORE BEGINNING INSTALLATION. !

## FOCAL POINT






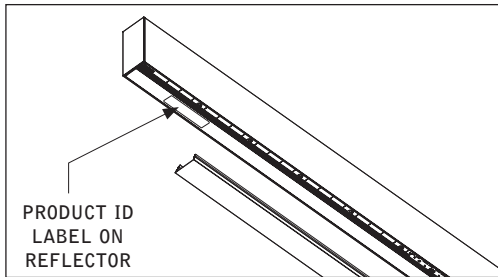
## PARTS LISTS

INCLUDED HARDWARE
 REFLECTOR SCREW (72026) (8-18 x 1/4 SELF TAPPING SCREW)


SHIPPED INSTALLED
 TIE-WIRE BRACKET SCREW (72010) (8-18 x 1/4 SELF TAPPING SCREW)
 TIE WIRE BRACKET (A38635-01)

## KEY

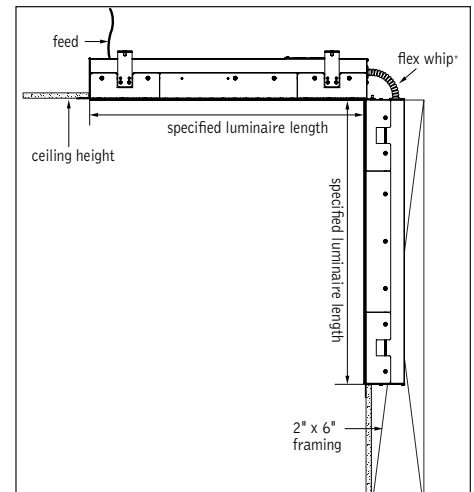
-  POWER OFF
-  POWER ON
-  ATTENTION



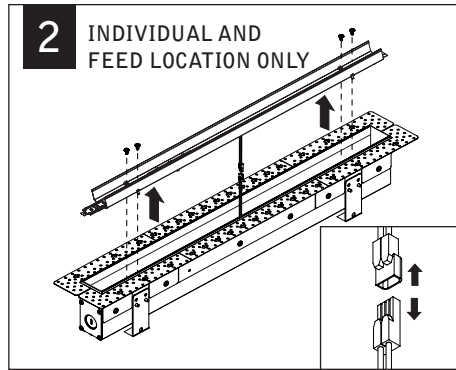
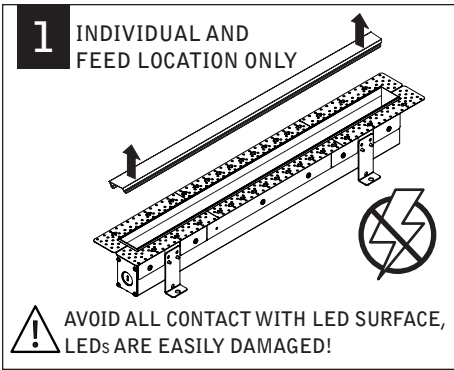
PRODUCT ID LOCATION



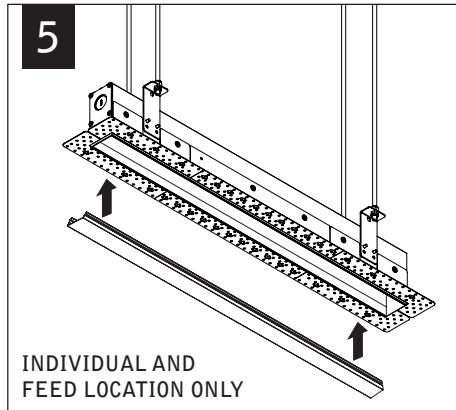
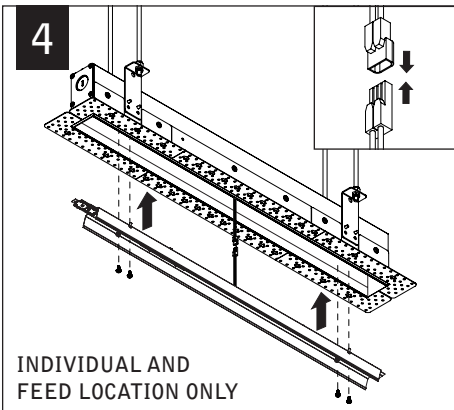
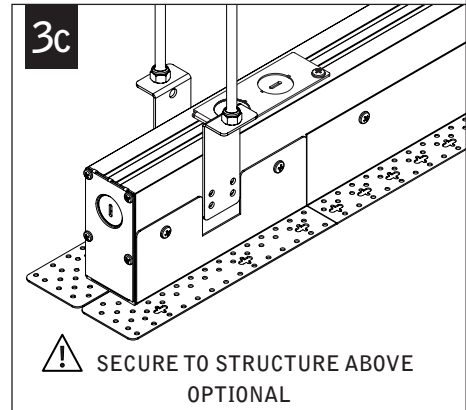
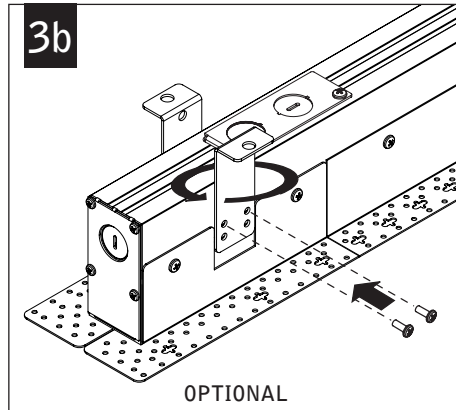
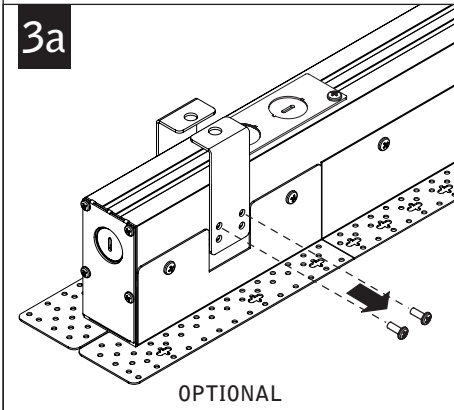
2"x6" FRAMING  
REQUIRED ON BOTH  
SIDES OF HOUSING



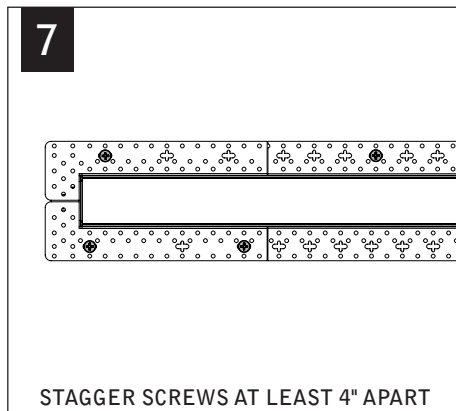
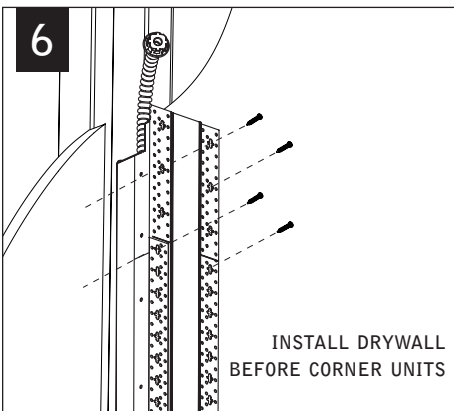
Luminaires must be installed by a qualified electrician (check with local and national codes for proper installation).  
To prevent electrical shock, disconnect electrical supply before installation or servicing.



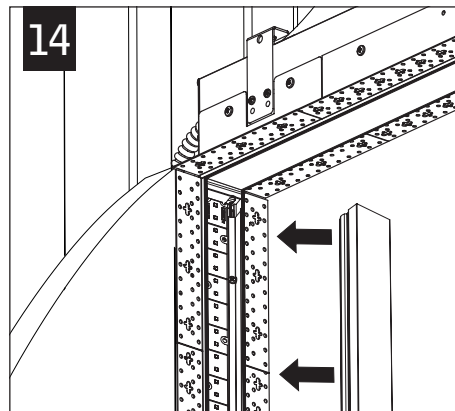
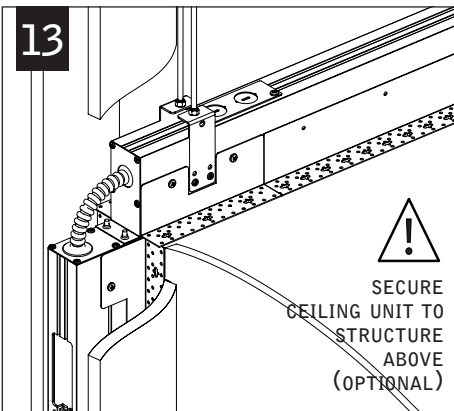
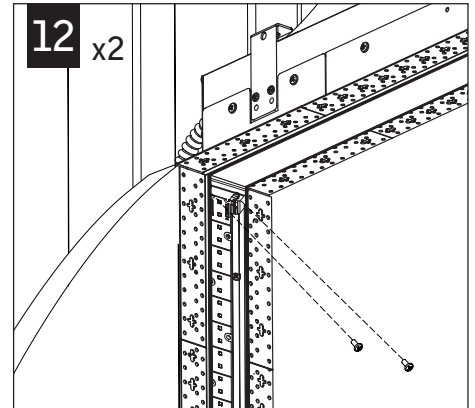
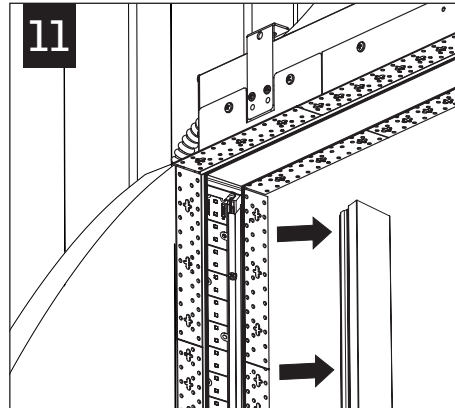
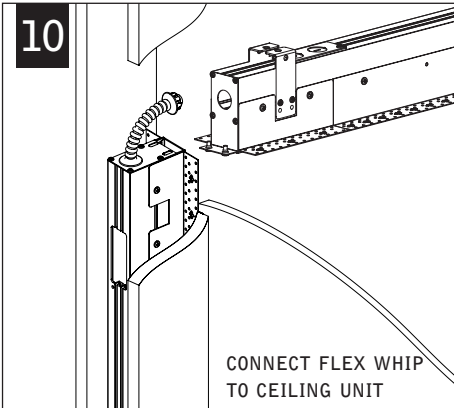
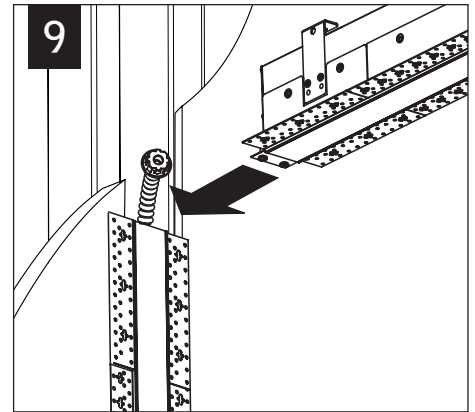
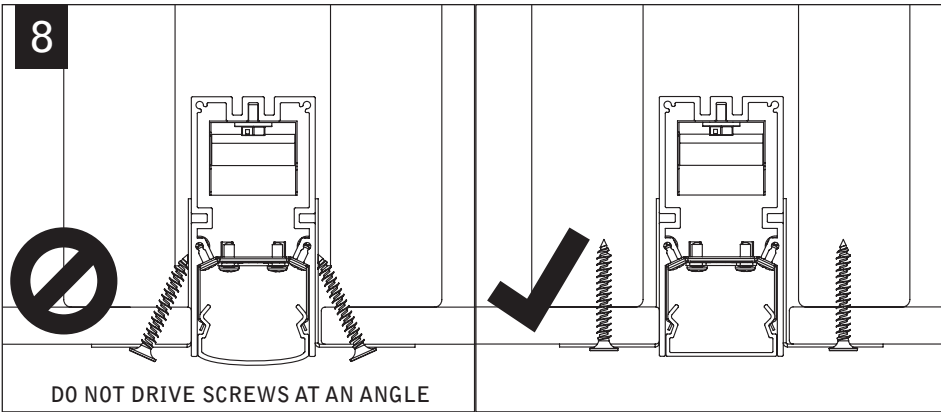
**CEILING UNITS ONLY**



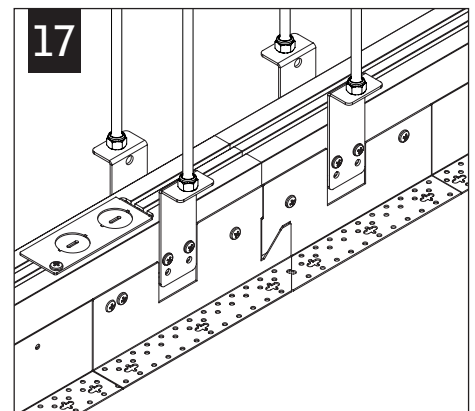
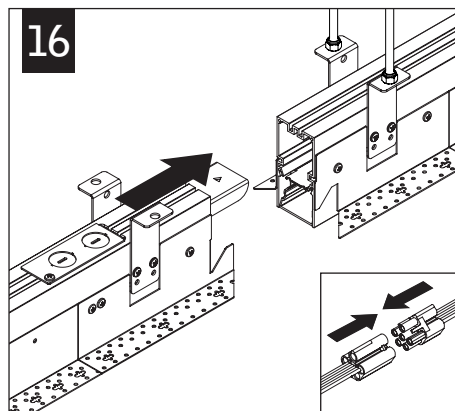
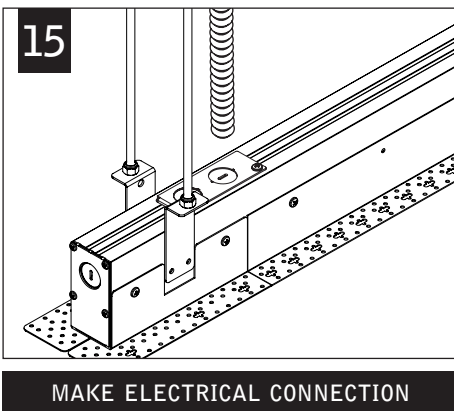
**CORNER UNITS (C & W) INSTALLATION**



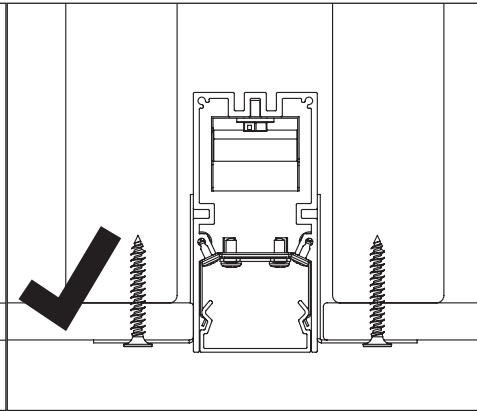
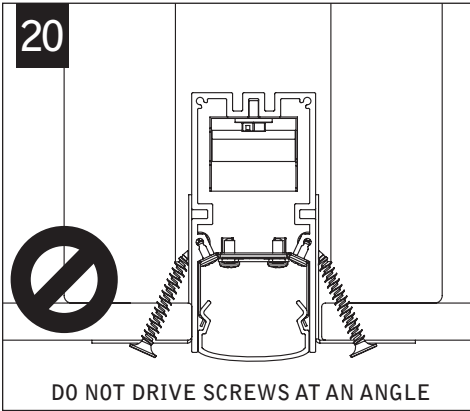
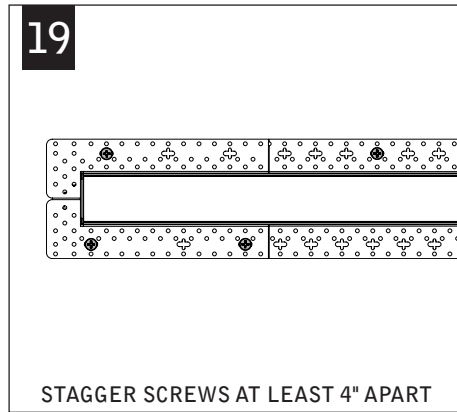
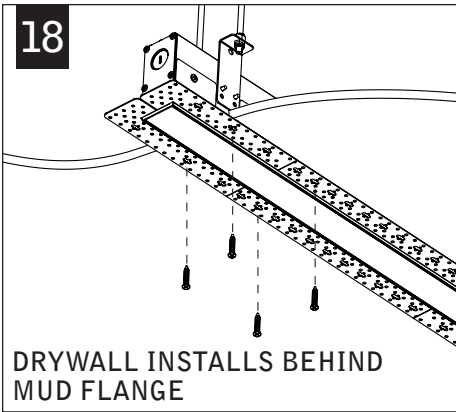
Luminaires must be installed by a qualified electrician (check with local and national codes for proper installation).  
To prevent electrical shock, disconnect electrical supply before installation or servicing.



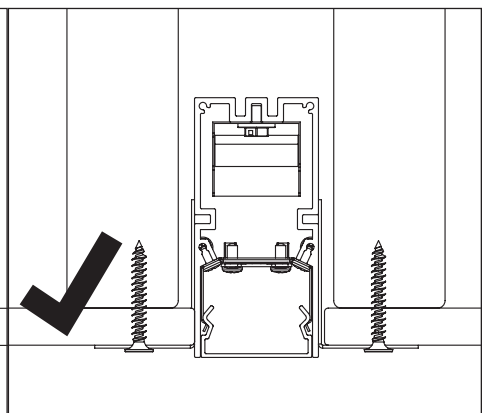
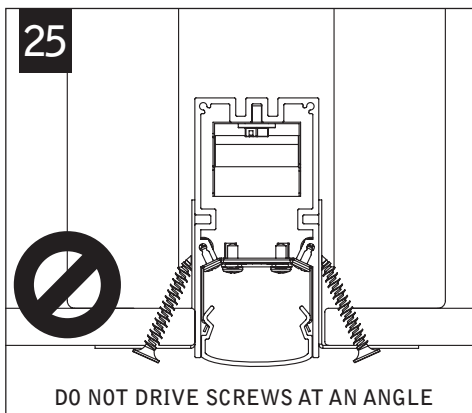
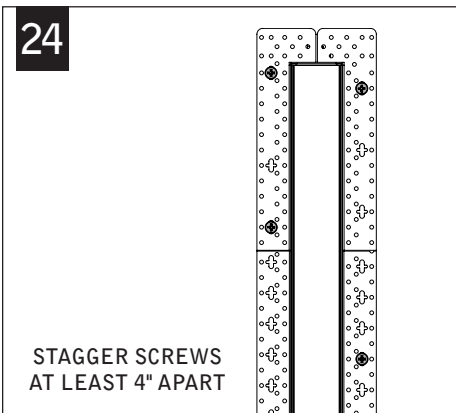
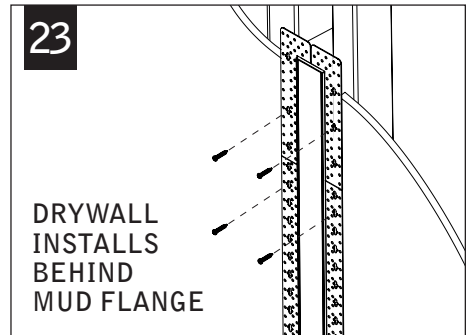
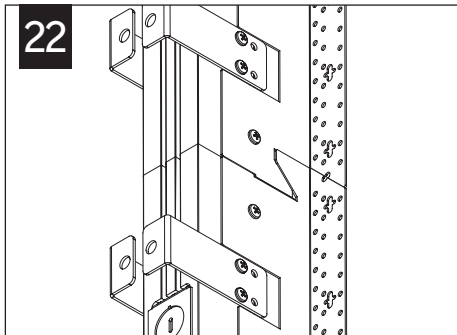
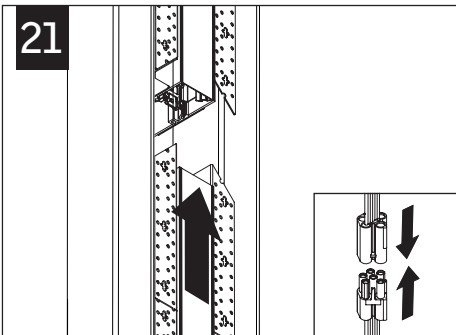
**CONTINUE INSTALLING REMAINING CEILING UNITS**



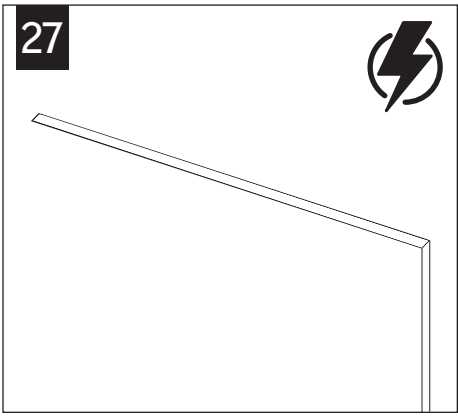
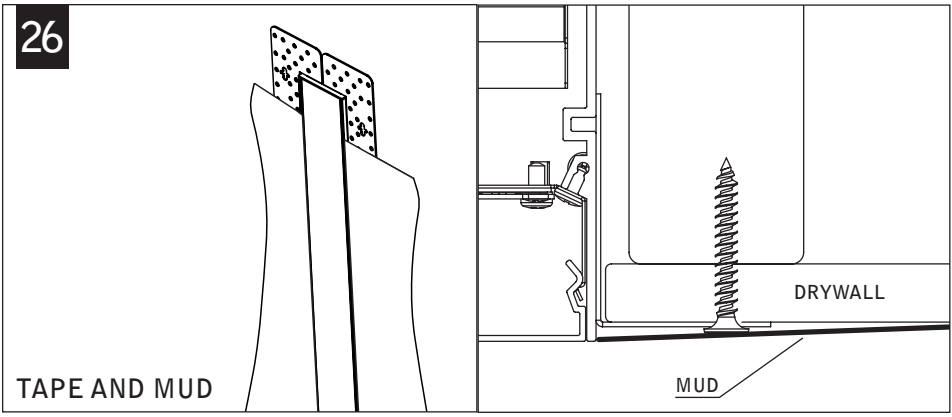
Luminaires must be installed by a qualified electrician (check with local and national codes for proper installation).  
To prevent electrical shock, disconnect electrical supply before installation or servicing.



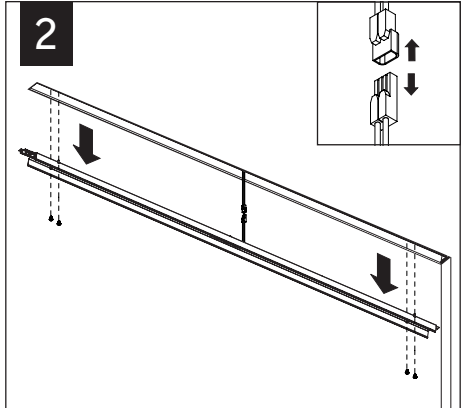
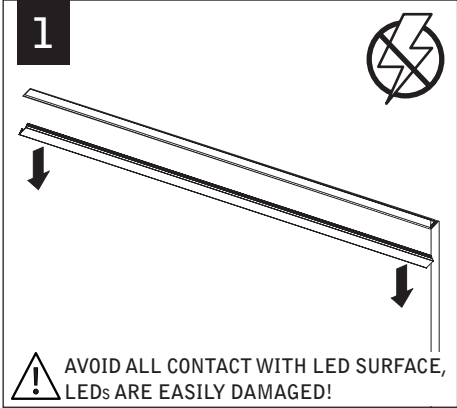
**INSTALL REMAINING WALL HOUSINGS**



Luminaires must be installed by a qualified electrician (check with local and national codes for proper installation).  
To prevent electrical shock, disconnect electrical supply before installation or servicing.



**DRIVER SERVICE**



Contractor is responsible for adequately reinforcing walls and/or ceilings to support luminaire weight. Focal Point, LLC accepts no responsibility for inadequately reinforced walls and/or ceilings. The information contained in this drawing is the sole property of Focal Point, LLC. Any reproduction in part or whole without the written permission of Focal Point, LLC is prohibited.