

# Seem® 1 Indirect

Suspended | FSM1IS



FOCAL POINT®

## BEFORE YOU BEGIN

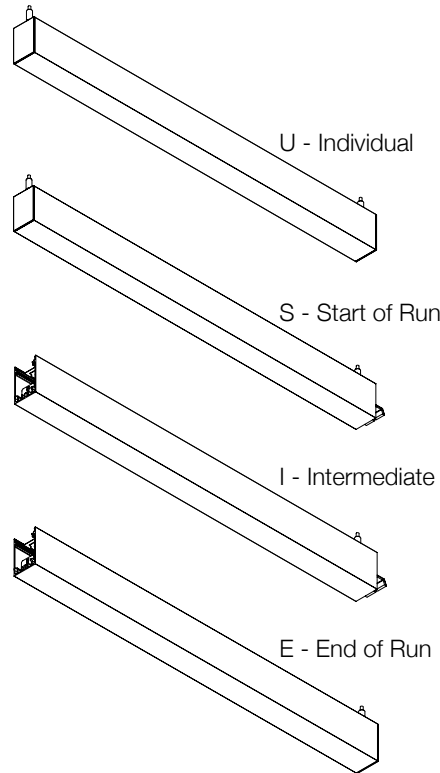
- Configurations are run specific, please consult factory drawings before beginning installation.
- Luminaires must be installed by a qualified electrician (check with local and national codes for proper installation).
- To prevent electrical shock, disconnect electrical supply before installation or servicing.
- Contractor is responsible for adequately reinforcing walls and/or ceilings to support fixture weight.
- Focal Point, LLC accepts no responsibility for inadequately reinforced walls and/or ceilings.
- The information contained in this drawing is the sole property of Focal Point, LLC. Any reproduction in part or whole without the written permission of Focal Point, LLC is prohibited.

## INSTRUCTION KEY

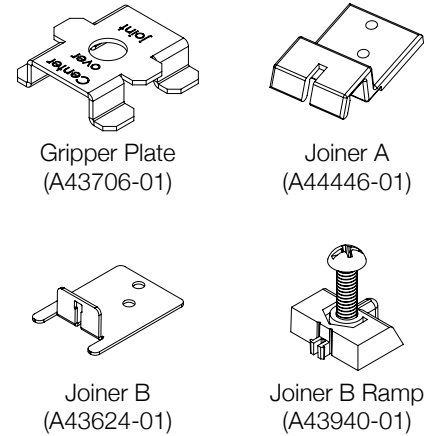
- ATTENTION
- SEE ADDITIONAL INSTRUCTIONS
- POWER OFF
- POWER ON

## COMPONENT KEY

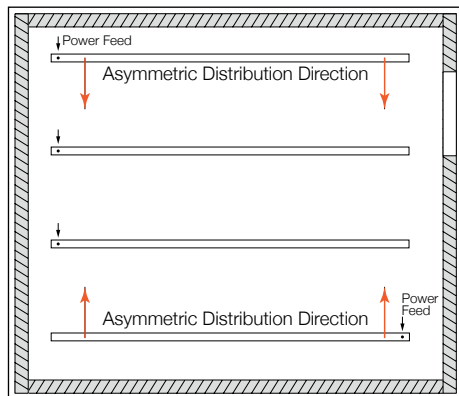
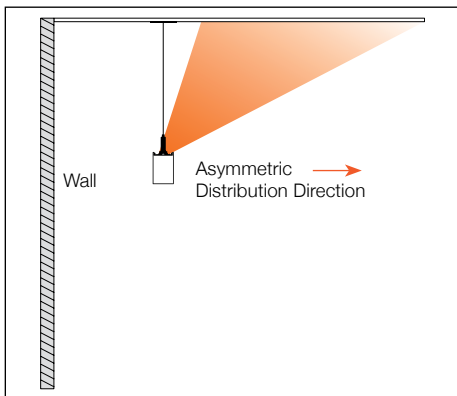
### FOCAL POINT



### SHIPPED INSTALLED



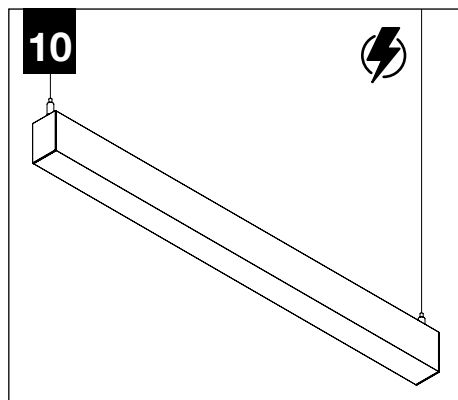
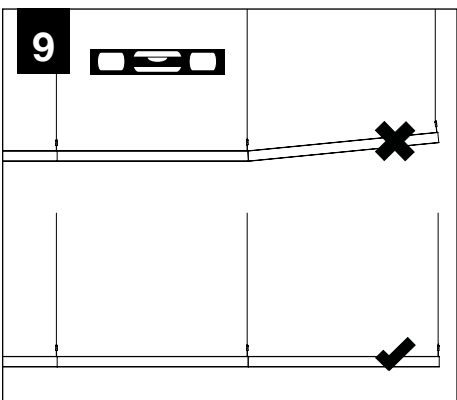
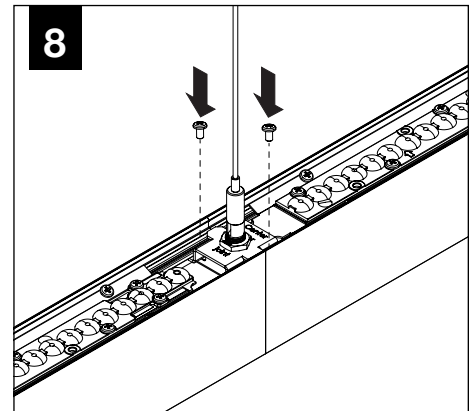
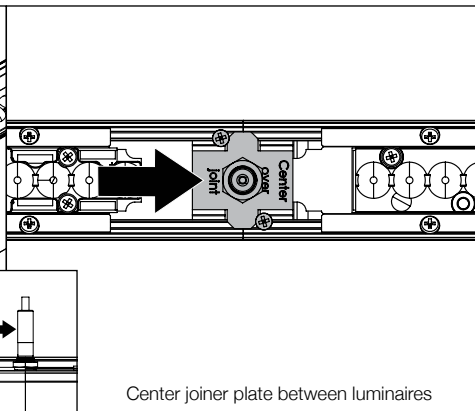
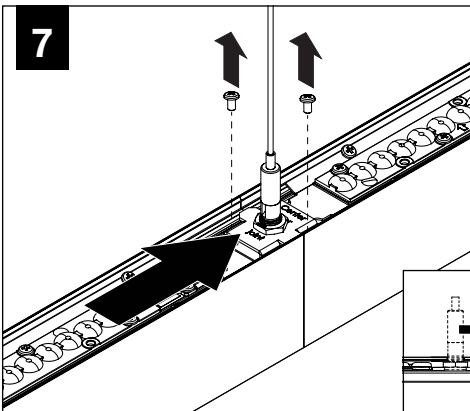
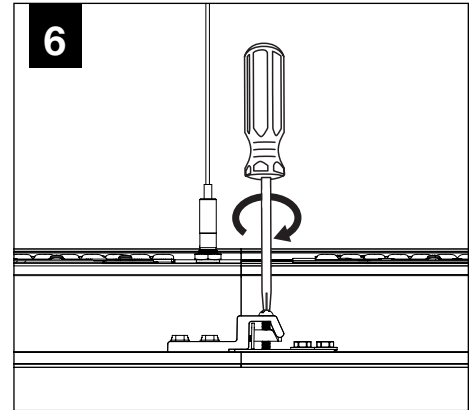
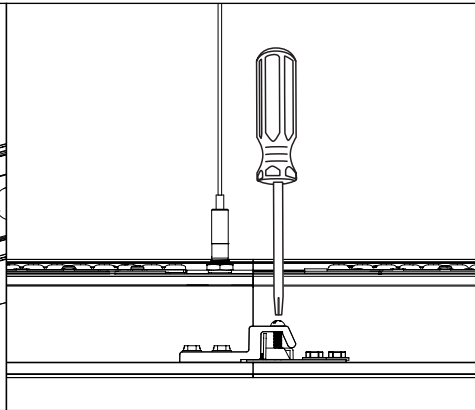
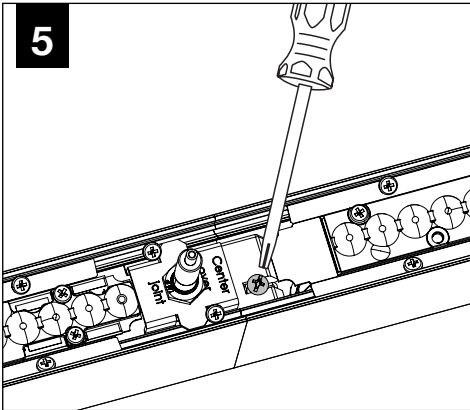
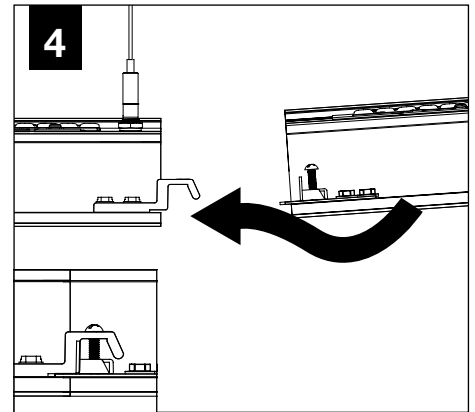
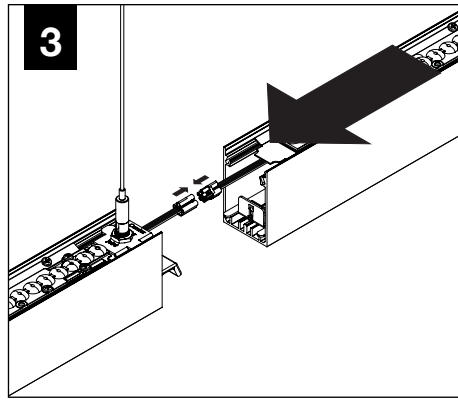
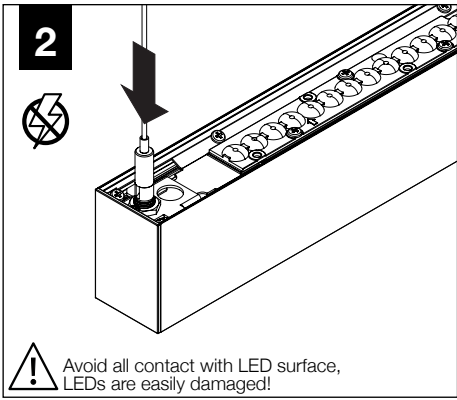
## INDIRECT ASYMMETRIC OPTIC



## INDIVIDUAL INSTALLATIONS FOLLOW STEPS 1, 2, 3 & 11

**1**

**FOLLOW FOCAL POINT INSTRUCTIONS FOR UNIVERSAL SUSPENSION SYSTEM ASSEMBLY. SEE IS0166**



**DRIVER SERVICE**

