

Seem® 1 Trio Surface Mount

FSM1FP-T-SM



FOCAL POINT®



BEFORE YOU BEGIN

- Configurations are run specific, please consult factory drawings before beginning installation.
- Luminaires must be installed by a qualified electrician (check with local and national codes for proper installation).
- To prevent electrical shock, disconnect electrical supply before installation or servicing.
- Contractor is responsible for adequately reinforcing walls and/or ceilings to support fixture weight.
- Focal Point, LLC accepts no responsibility for inadequately reinforced walls and/or ceilings.
- The information contained in this drawing is the sole property of Focal Point, LLC. Any reproduction in part or whole without the written permission of Focal Point, LLC is prohibited.

INSTRUCTION KEY



ATTENTION



SEE ADDITIONAL INSTRUCTIONS



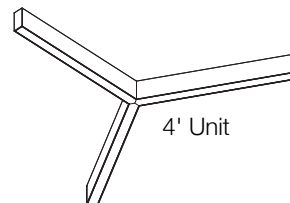
POWER OFF



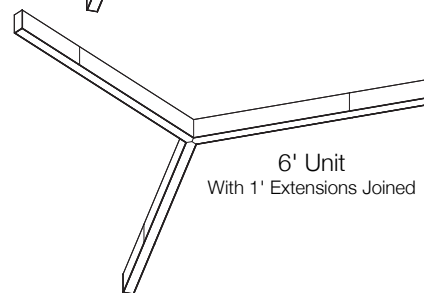
POWER ON

COMPONENT KEY

FOCAL POINT



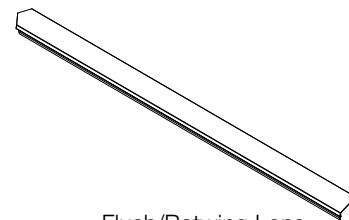
4' Unit



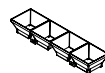
6' Unit
With 1' Extensions Joined



1' Extension



Flush/Batwing Lens

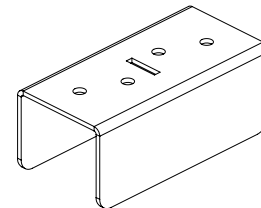


Louver



Point Source

SHIPPED INSTALLED



Joiner
Bracket
(A37351-01)

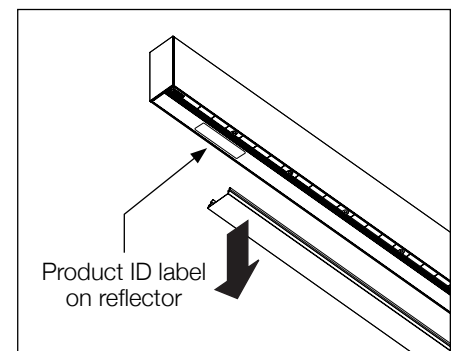


(700192)

SHIPPED IN HARDWARE BAG



Mounting Screw
(72007)



Product ID label
on reflector

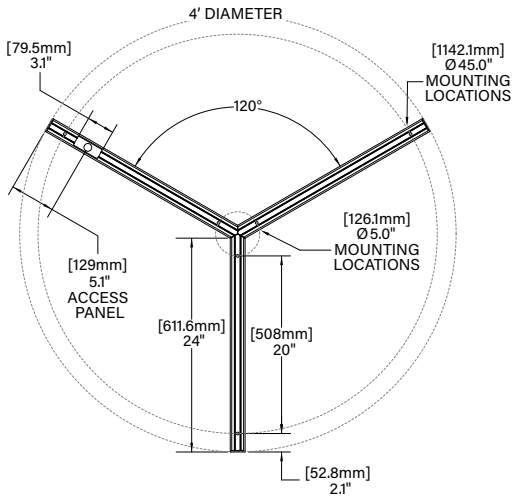


SEE **PAGES 2-3** FOR SINGLE POINT SUSPENSION INSTALLATION

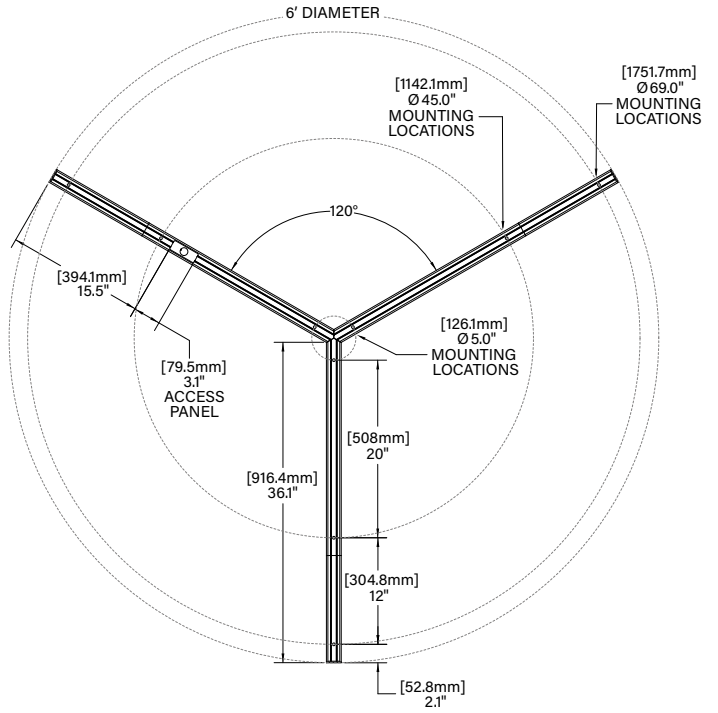
SEE **PAGES 3-4** FOR MULTI-POINT SUSPENSION INSTALLATION

SEE **PAGE 4** FOR 6' UNIT JOINING INSTALLATION

MOUNTING DIMENSIONS



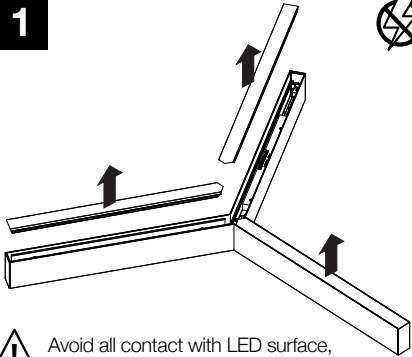
4' DIAMETER



6' DIAMETER

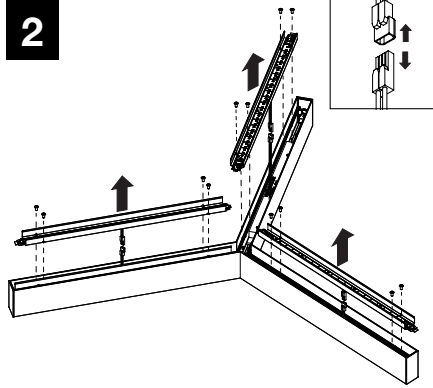
FLUSH LENS

1



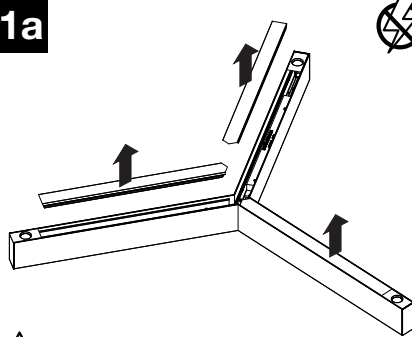
⚠ Avoid all contact with LED surface, LEDs are easily damaged!

2



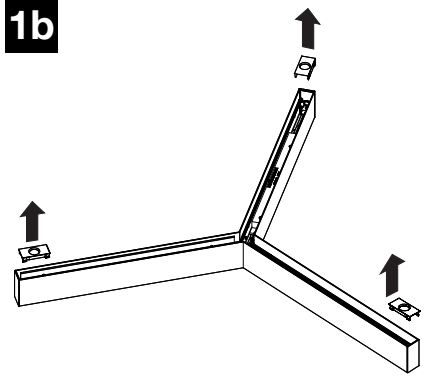
POINT SOURCE

1a

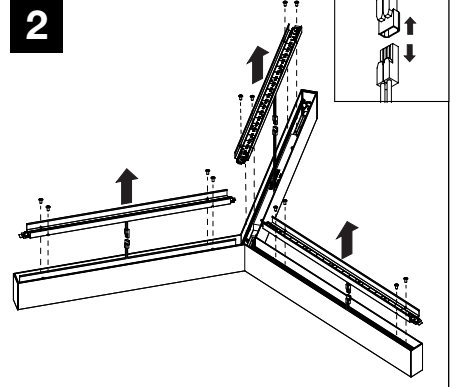


⚠ Avoid all contact with LED surface, LEDs are easily damaged!

1b

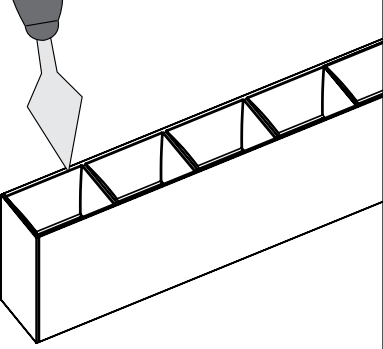


2



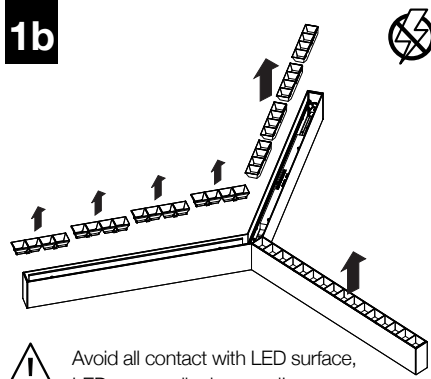
LOUVER

1a



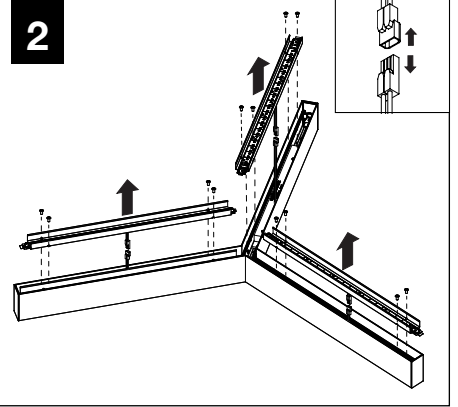
⚠ Use a non-marring tool with thin blade to safely remove louver without causing damage

1b



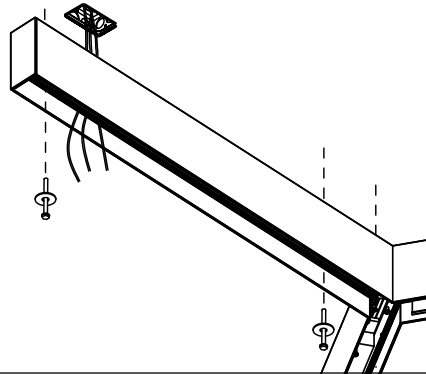
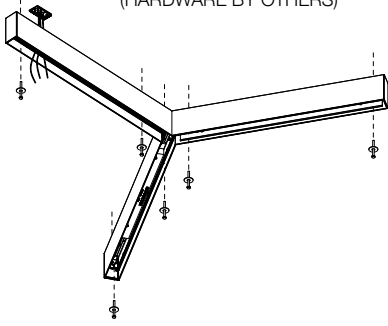
⚠ Avoid all contact with LED surface, LEDs are easily damaged!

2



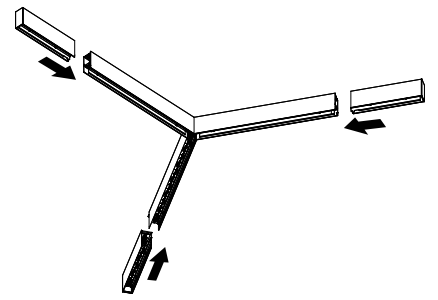
3

SECURE HOUSING TO STRUCTURE ABOVE
(HARDWARE BY OTHERS)



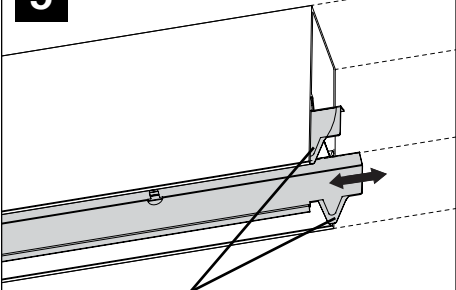
4

6' UNIT JOINING ONLY



5

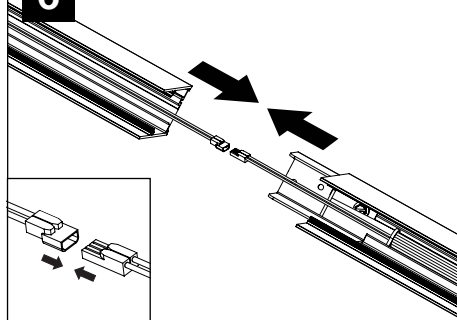
6' UNIT JOINING ONLY



CENTER REFLECTOR TABS AT EDGE OF HOUSING SO LIGHT BLOCKERS EXTEND BEYOND EDGE OF HOUSING INTO ADJOINING LUMINAIRE

6

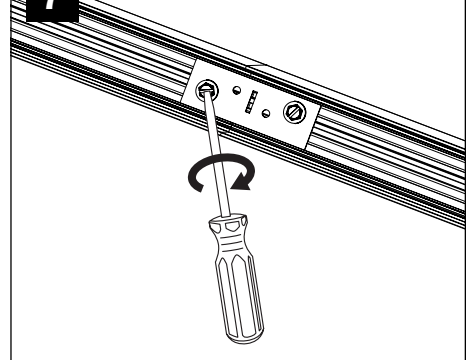
6' UNIT JOINING ONLY



MAKE ELECTRICAL CONNECTION

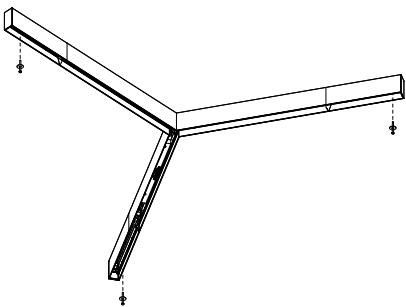
7

6' UNIT JOINING ONLY

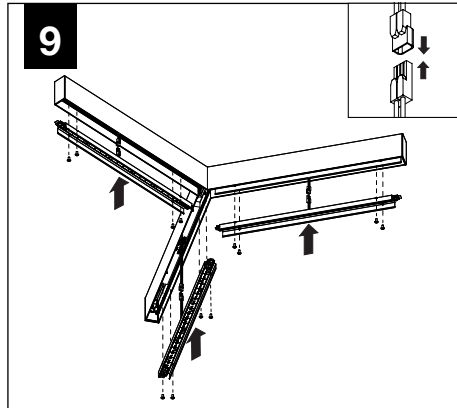


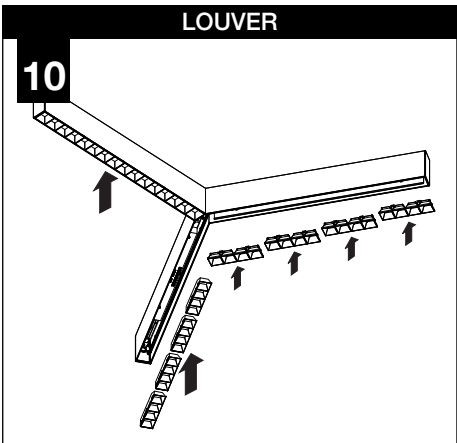
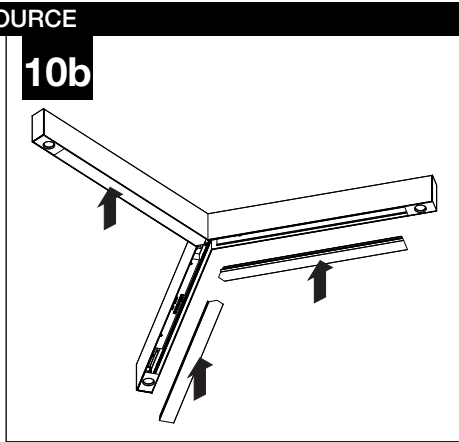
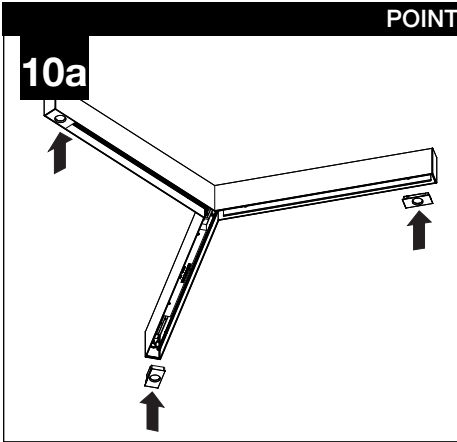
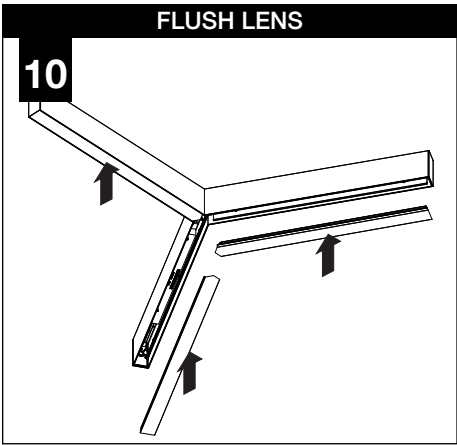
8

6' UNIT JOINING ONLY



9

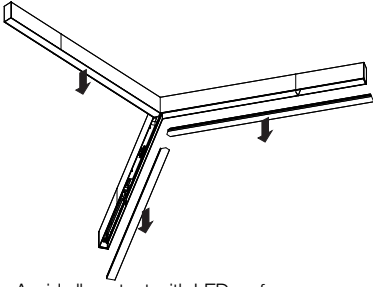




DRIVER SERVICE

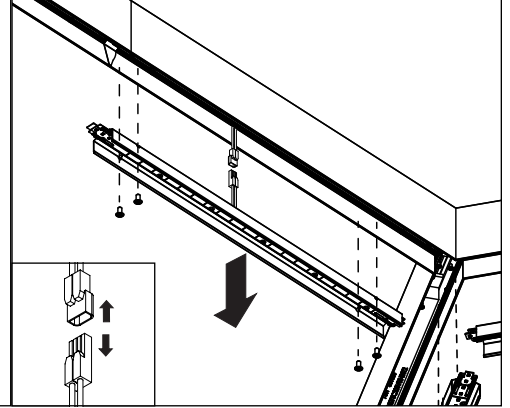
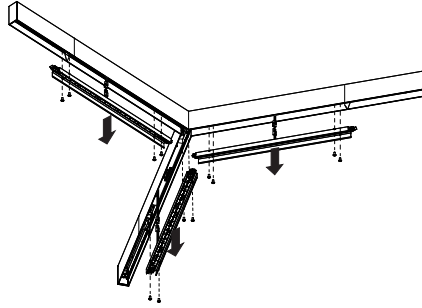
FLUSH LENS

1

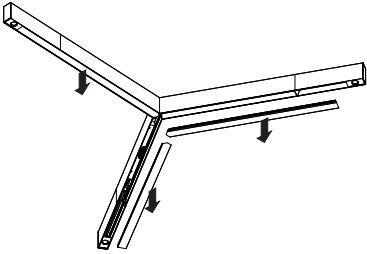


⚠ Avoid all contact with LED surface, LEDs are easily damaged!

2

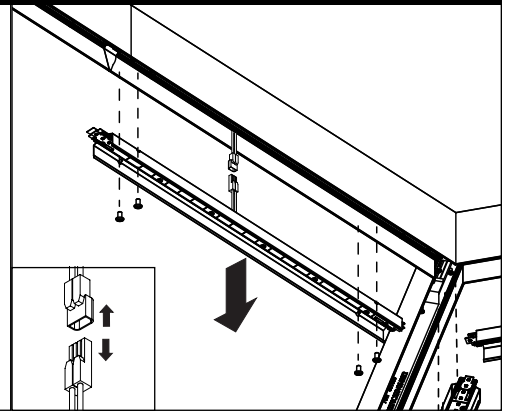
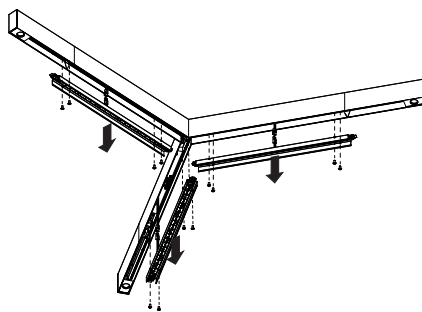


1



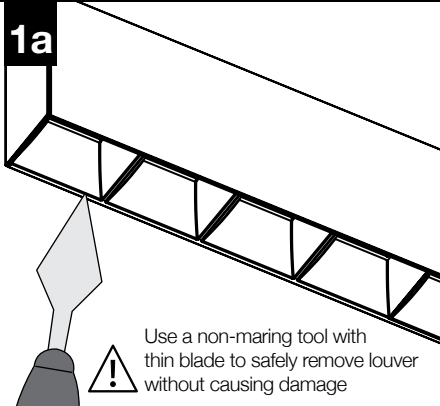
⚠ Avoid all contact with LED surface, LEDs are easily damaged!

2



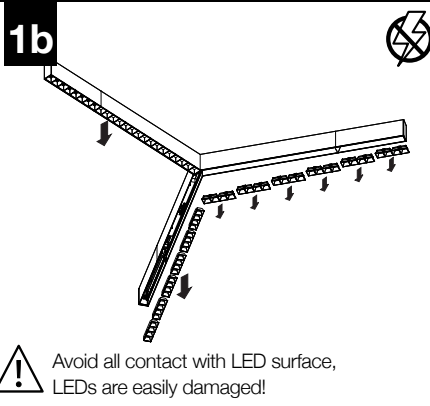
LOUVER

1a



⚠ Use a non-marring tool with thin blade to safely remove louver without causing damage

1b



⚠ Avoid all contact with LED surface, LEDs are easily damaged!

2

