

Seem® 1 Quartet Suspended

FSM1FP-Q | FSM1FBP-Q



FOCAL POINT®

BEFORE YOU BEGIN

- Configurations are run specific, please consult factory drawings before beginning installation.
- Luminaires must be installed by a qualified electrician (check with local and national codes for proper installation).
- To prevent electrical shock, disconnect electrical supply before installation or servicing.
- Contractor is responsible for adequately reinforcing walls and/or ceilings to support fixture weight.
- Focal Point, LLC accepts no responsibility for inadequately reinforced walls and/or ceilings.
- The information contained in this drawing is the sole property of Focal Point, LLC. Any reproduction in part or whole without the written permission of Focal Point, LLC is prohibited.

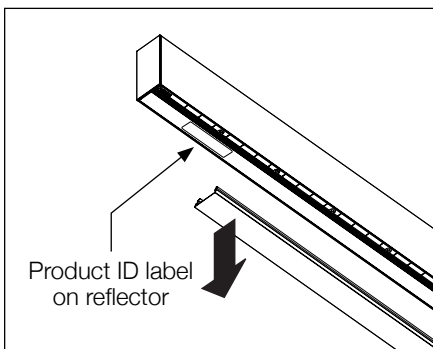
INSTRUCTION KEY

ATTENTION

SEE ADDITIONAL INSTRUCTIONS

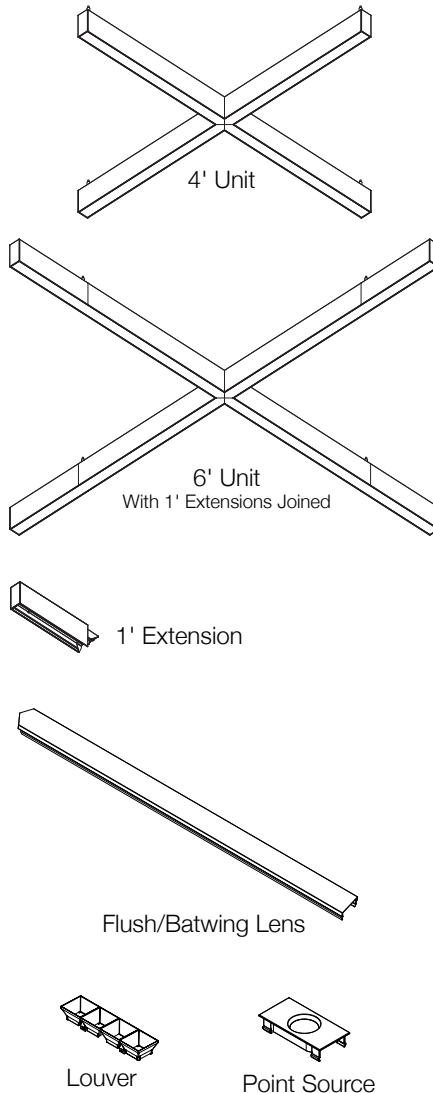
POWER OFF

POWER ON

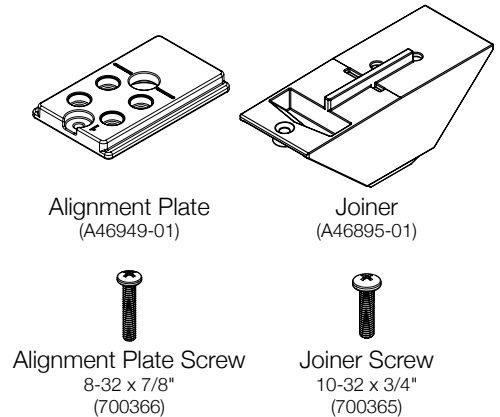


COMPONENT KEY

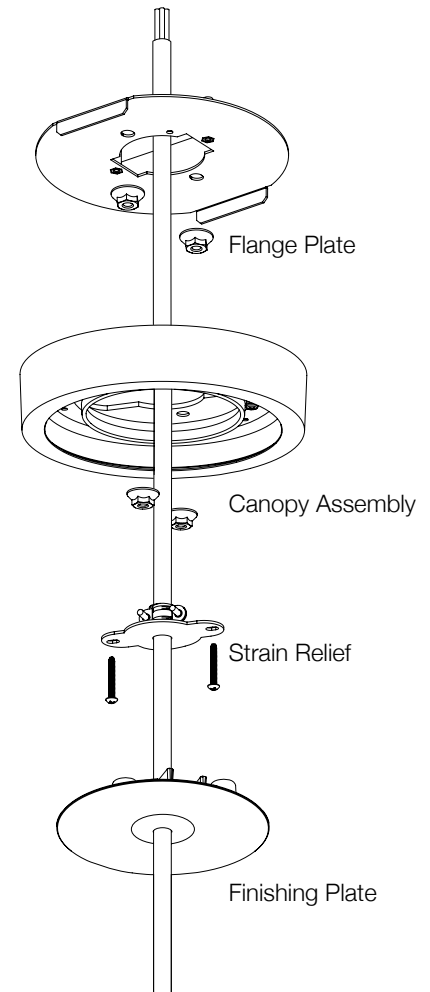
FOCAL POINT



SHIPPED INSTALLED



SINGLE POINT SUSPENSION CANOPY ASSEMBLY



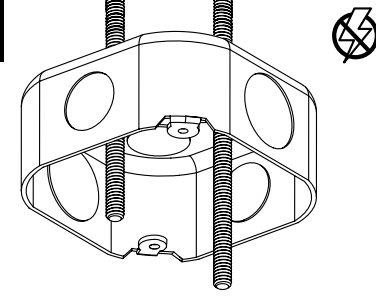
SEE **PAGES 2-3** FOR SINGLE POINT SUSPENSION INSTALLATION

SEE **PAGES 3-4** FOR MULTI-POINT SUSPENSION INSTALLATION

SEE **PAGE 4** FOR 6' UNIT JOINING INSTALLATION

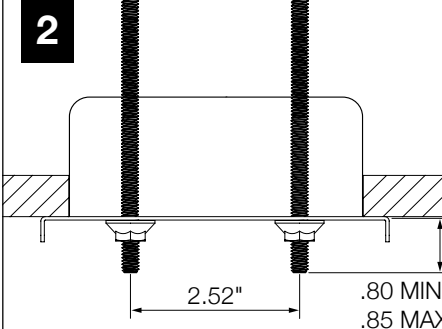
SINGLE POINT SUSPENSION

1



INSTALL J-BOX (BY OTHERS) AND 1/4" RODS (BY OTHERS) SECURE RODS TO STRUCTURE ABOVE

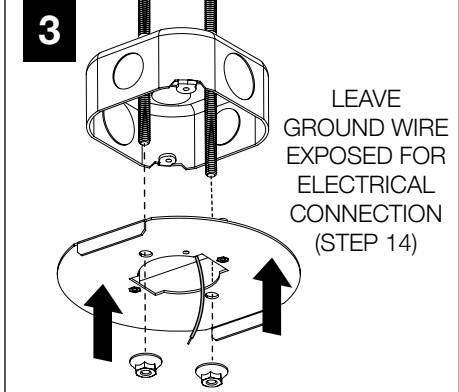
2



2.52" .80 MIN .85 MAX

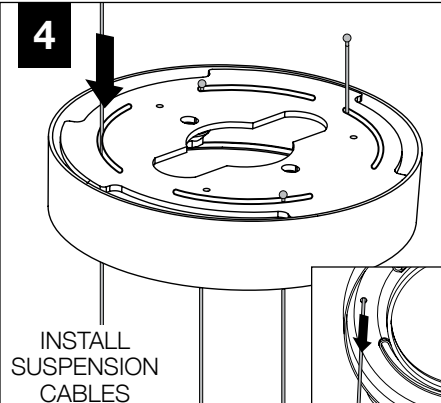
THREADED RODS MUST EXTEND .80 MIN/.85 MAX BEYOND CEILING PLANE

3



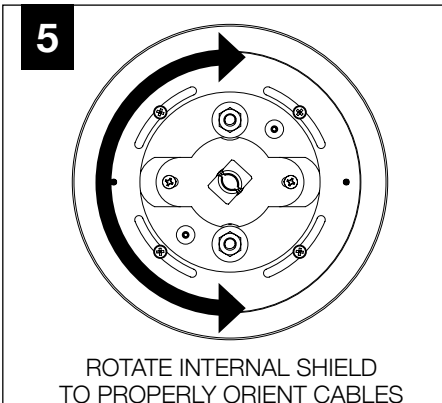
LEAVE GROUND WIRE EXPOSED FOR ELECTRICAL CONNECTION (STEP 14)

4



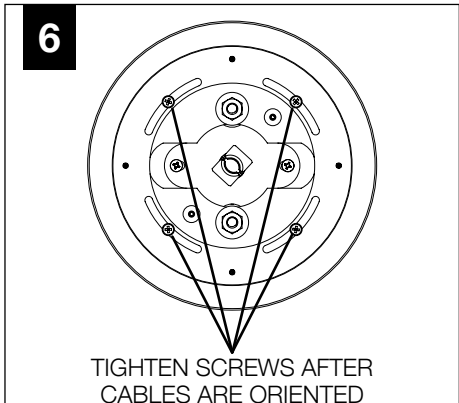
INSTALL SUSPENSION CABLES

5



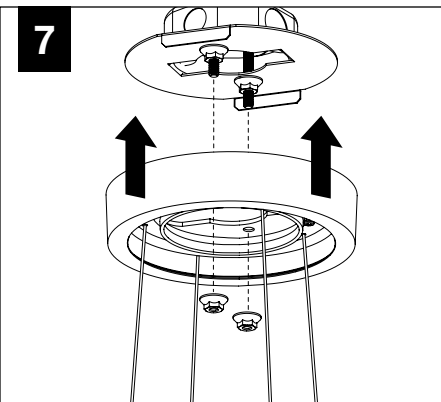
ROTATE INTERNAL SHIELD TO PROPERLY ORIENT CABLES

6

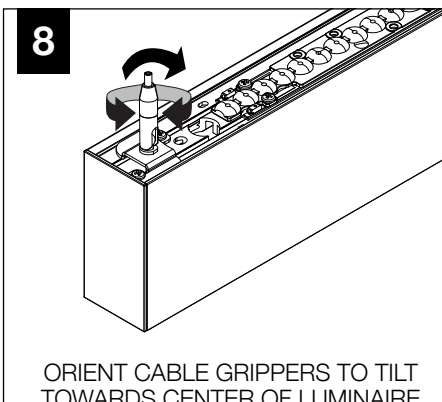


TIGHTEN SCREWS AFTER CABLES ARE ORIENTED

7

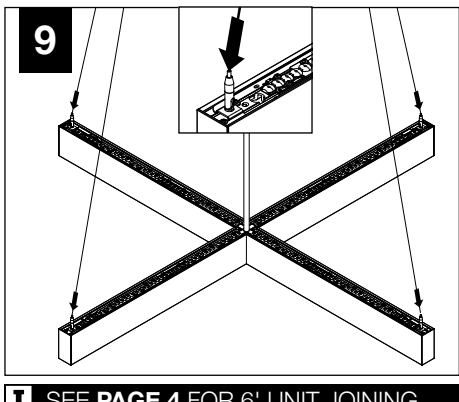


8



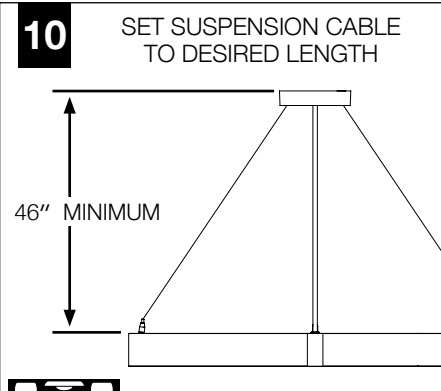
ORIENT CABLE GRIPPERS TO TILT TOWARDS CENTER OF LUMINAIRE

9



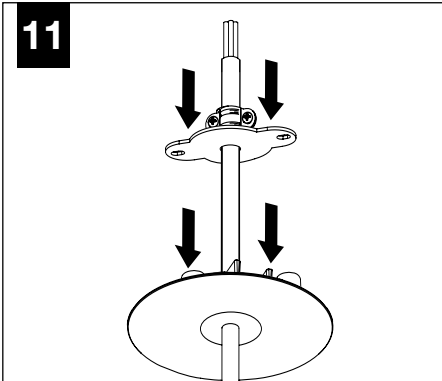
I SEE PAGE 4 FOR 6' UNIT JOINING

10 SET SUSPENSION CABLE TO DESIRED LENGTH

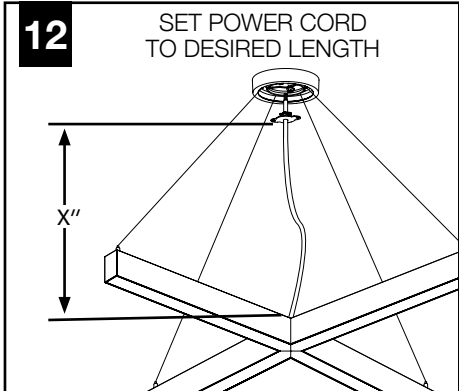


46" MINIMUM

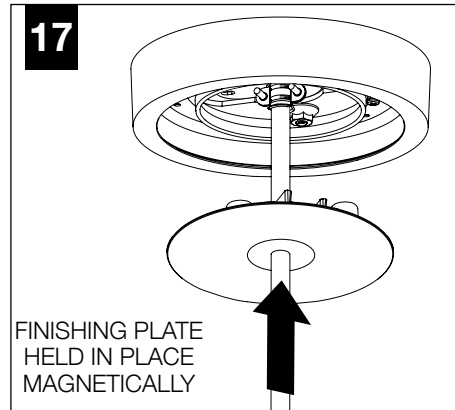
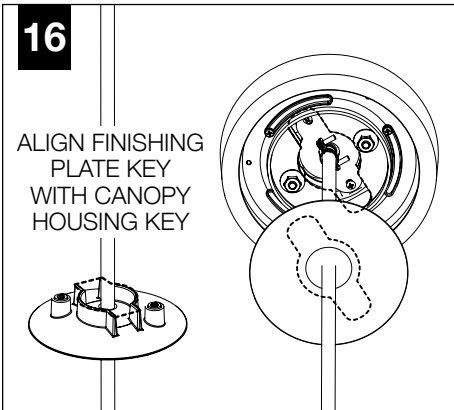
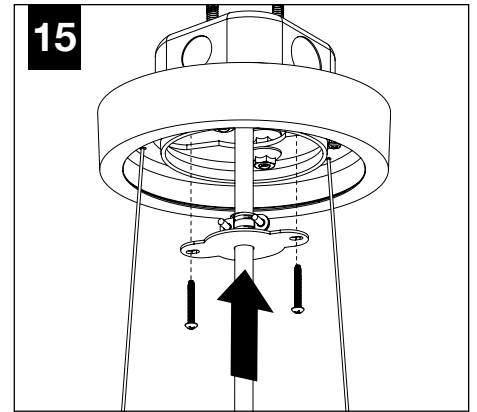
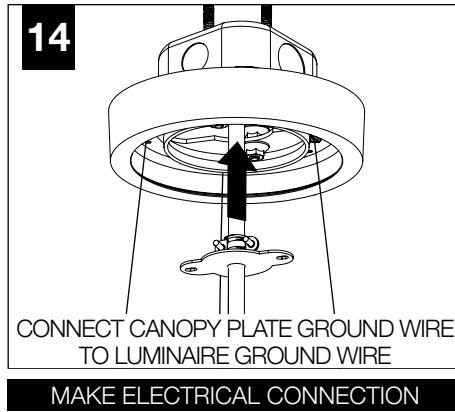
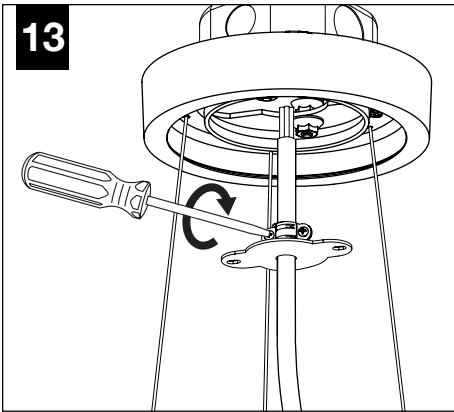
11



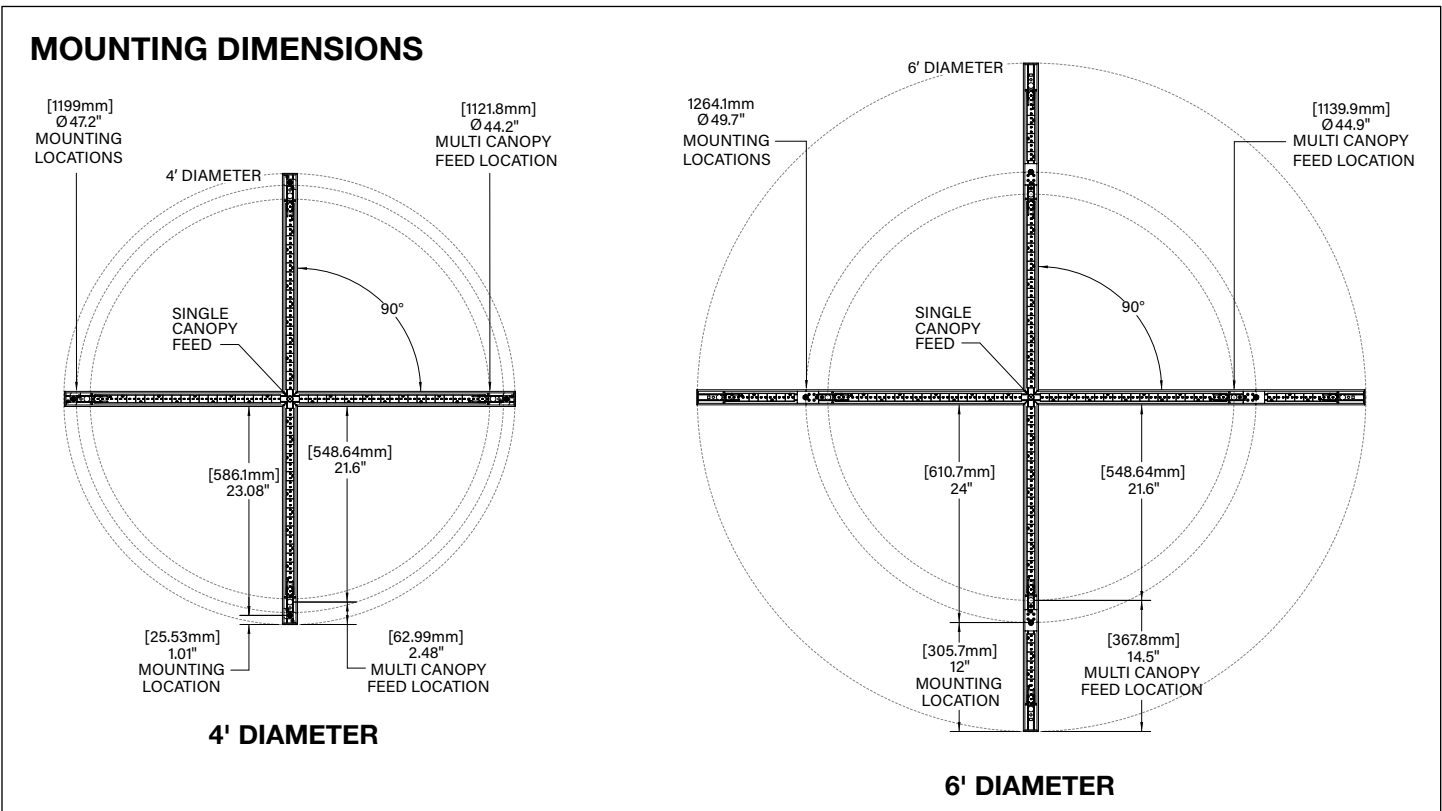
12 SET POWER CORD TO DESIRED LENGTH



X"



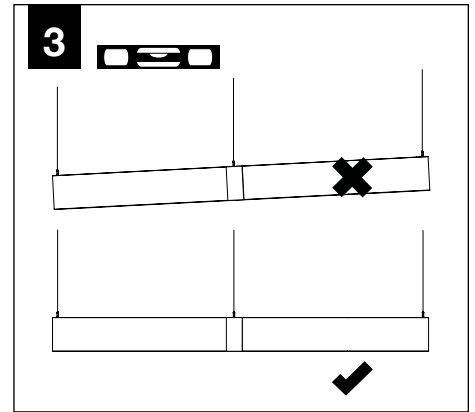
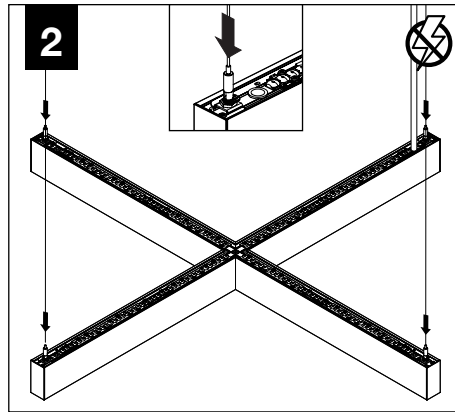
MULTI-POINT SUSPENSION



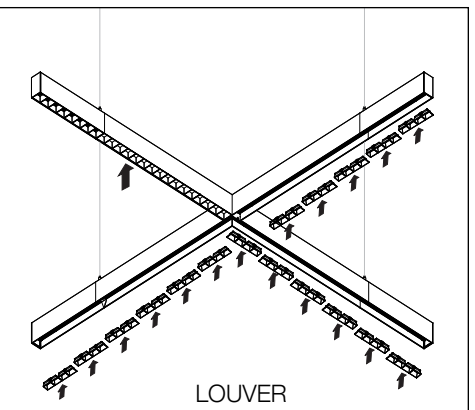
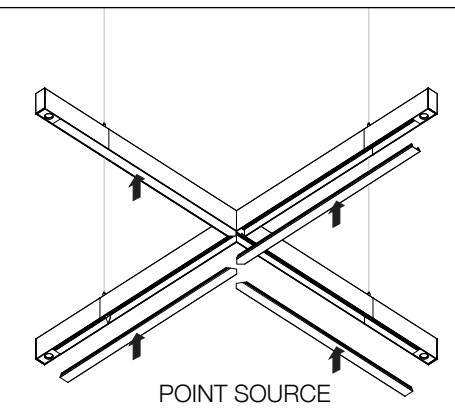
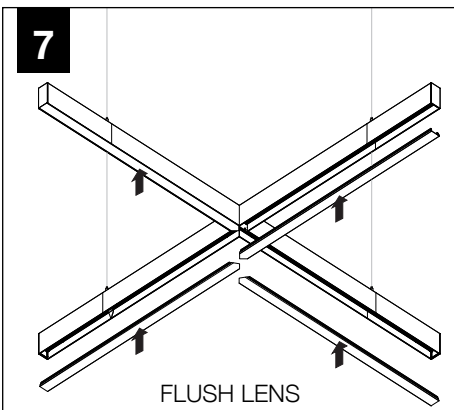
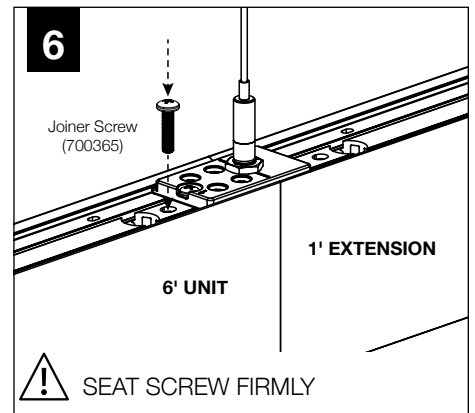
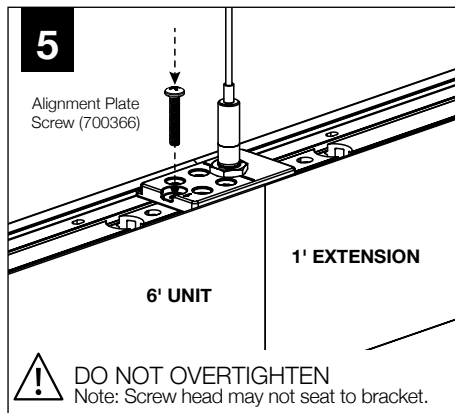
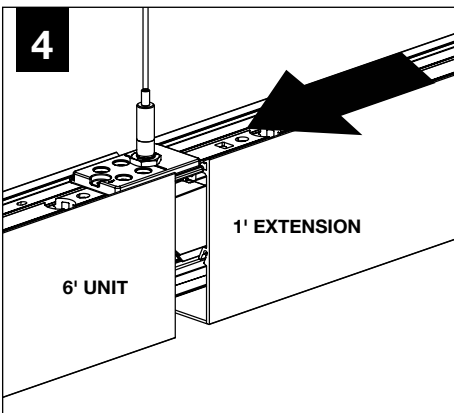
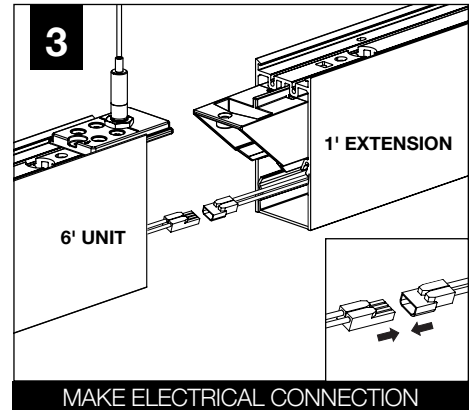
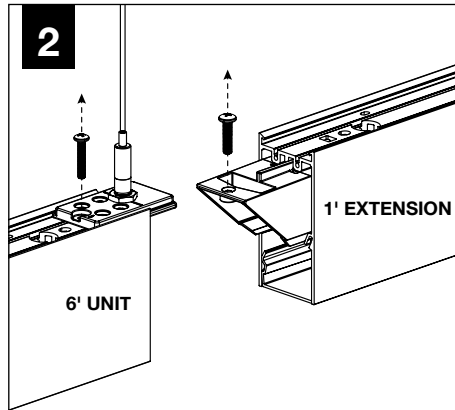
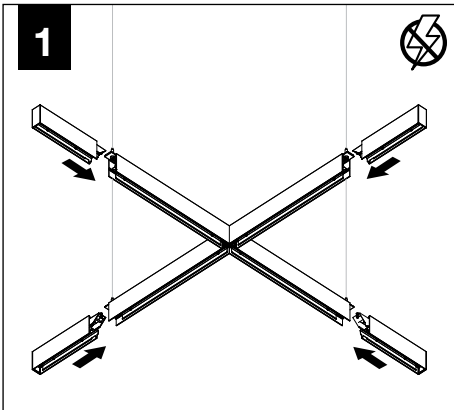
1

I

Follow Focal Point instructions for Universal Suspension System assembly
See IS0166



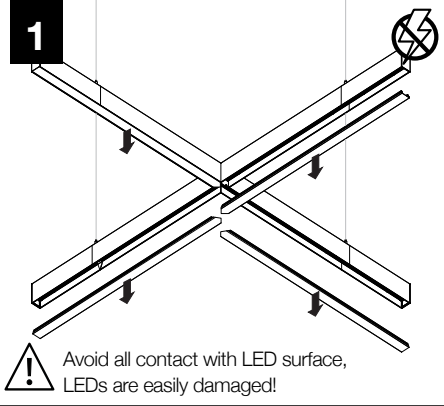
6' UNIT JOINING



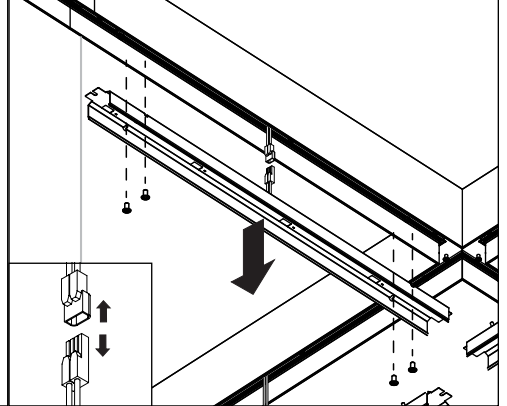
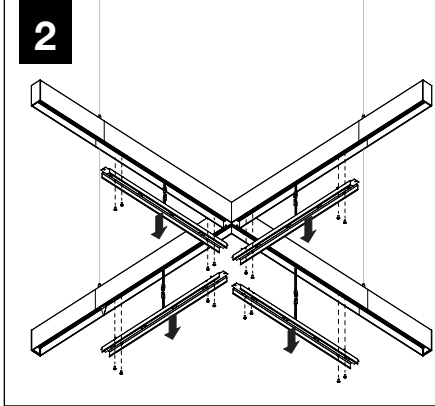
DRIVER SERVICE

FLUSH LENS

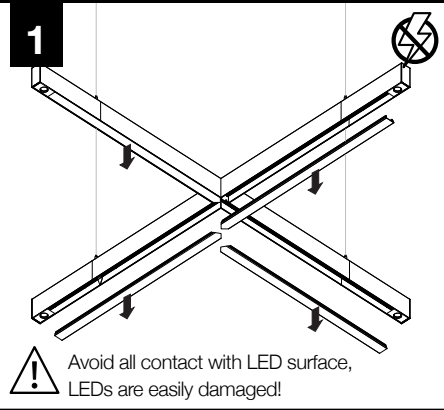
1



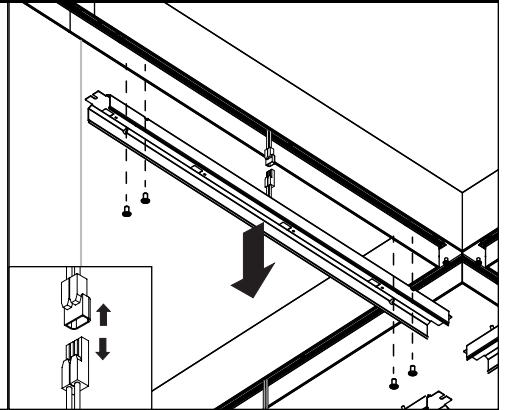
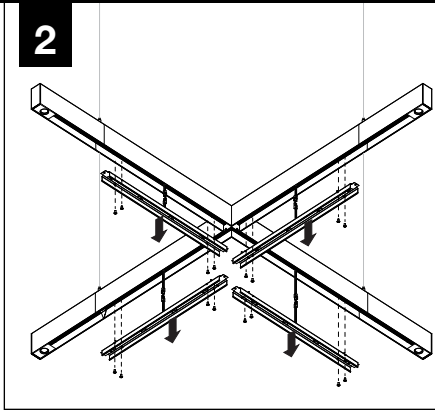
2



1

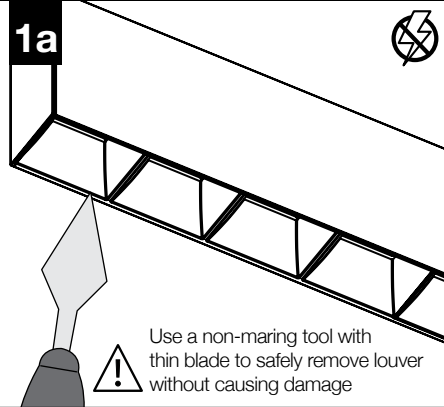


2

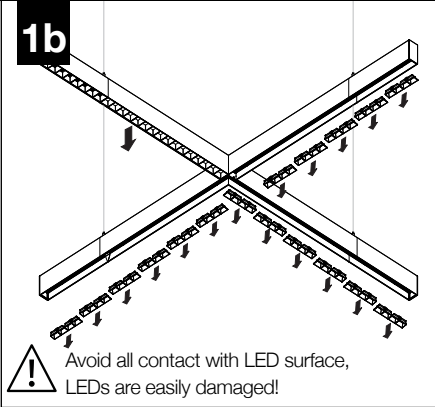


LOUVER

1a



1b



2

