

Seem® 1 Point Source

Surface Mount | FSM1DS-SM



BEFORE YOU BEGIN

- Luminaires must be installed by a qualified electrician (check with local and national codes for proper installation).
- To prevent electrical shock, disconnect electrical supply before installation or servicing.
- Contractor is responsible for adequately reinforcing walls and/or ceilings to support fixture weight.
- Focal Point, LLC accepts no responsibility for inadequately reinforced walls and/or ceilings.
- The information contained in this drawing is the sole property of Focal Point, LLC. Any reproduction in part or whole without the written permission of Focal Point, LLC is prohibited.

INSTRUCTION KEY

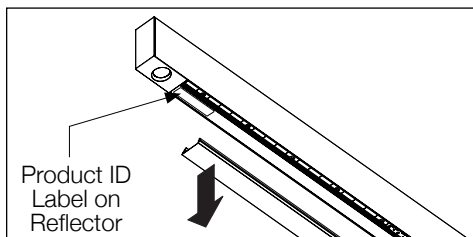
ATTENTION

SEE ADDITIONAL INSTRUCTIONS

POWER OFF

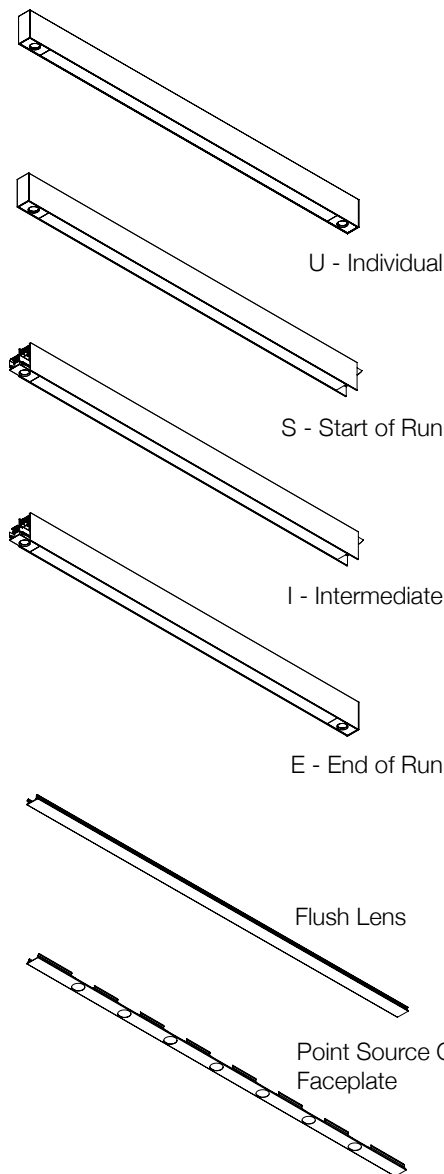
POWER ON

PRODUCT ID LOCATION

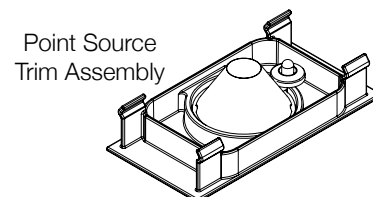
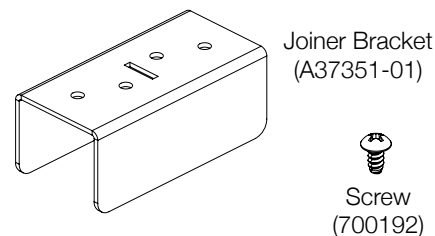


COMPONENT KEY

FOCAL POINT

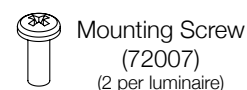


SHIPPED INSTALLED

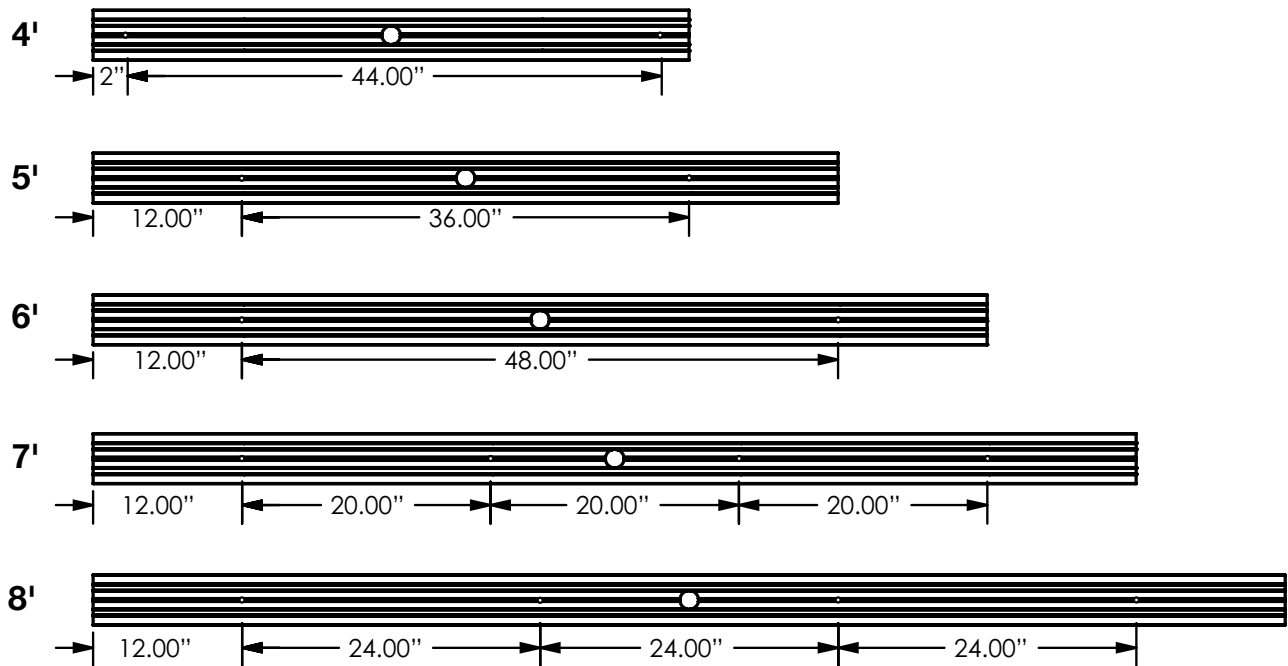


POINT SOURCE TRIM ASSEMBLY SHIPS INSTALLED IN SOME, BUT NOT ALL INSTANCES. COMPLETE INSTALL OF RUN PRIOR TO TRIM ASSEMBLY INSTALLATION.

SHIPPED IN HARDWARE BAG

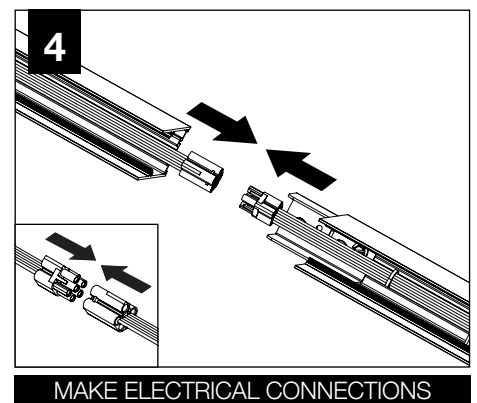
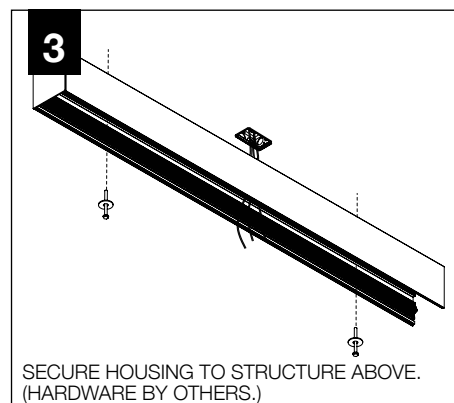
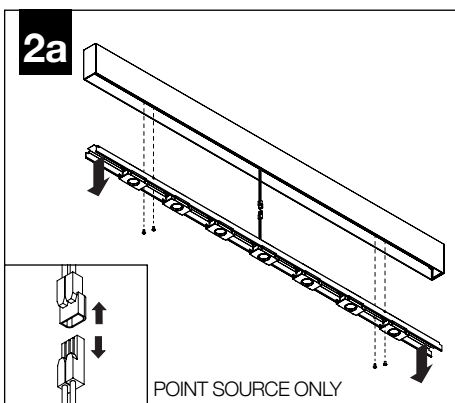
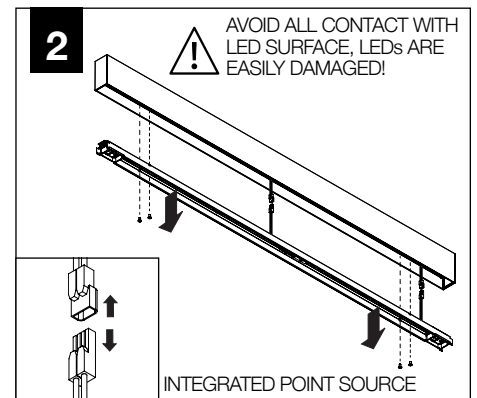
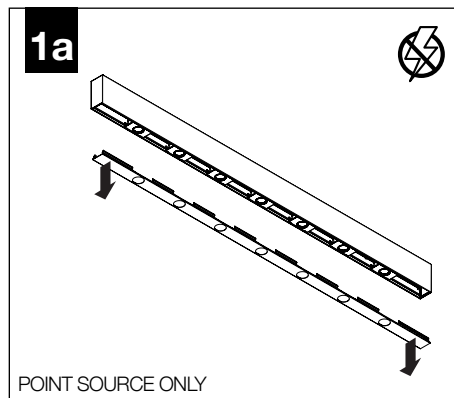
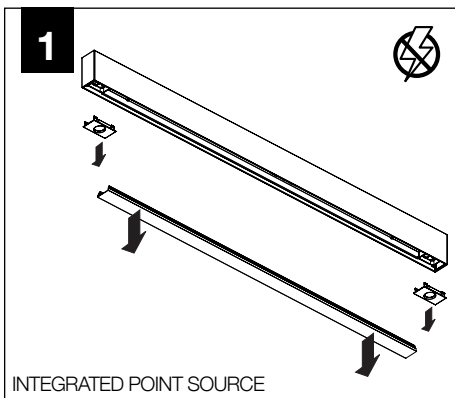


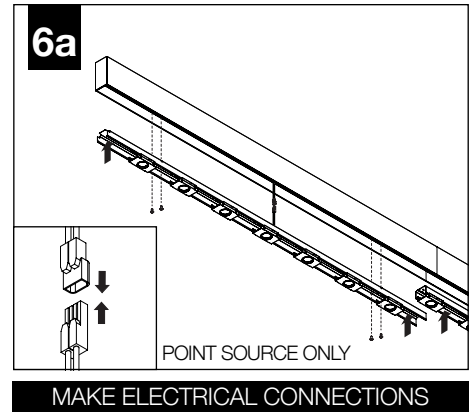
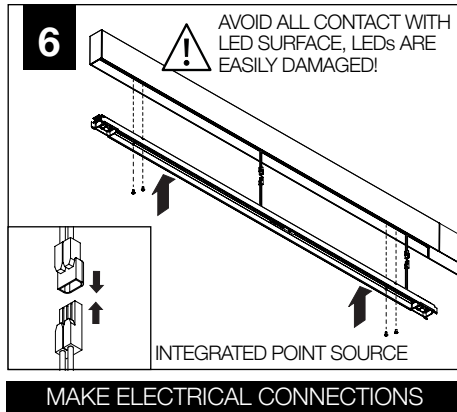
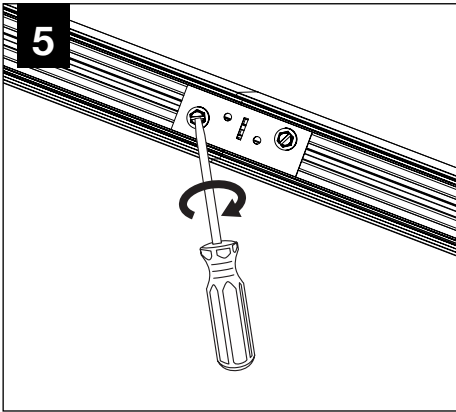
MOUNTING



Feed location is always centered in housing, with the exception of the 2' housing. Use single device cover or single gang handy box and mounting hardware (by others)

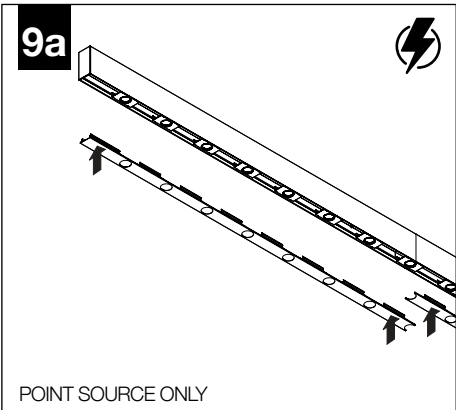
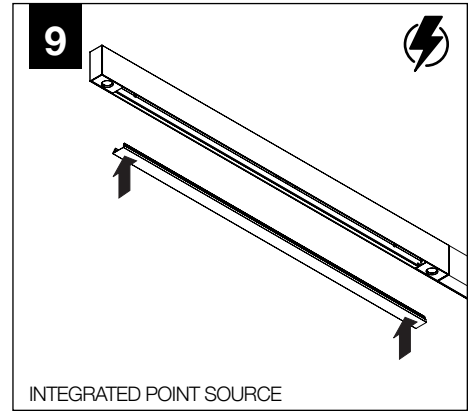
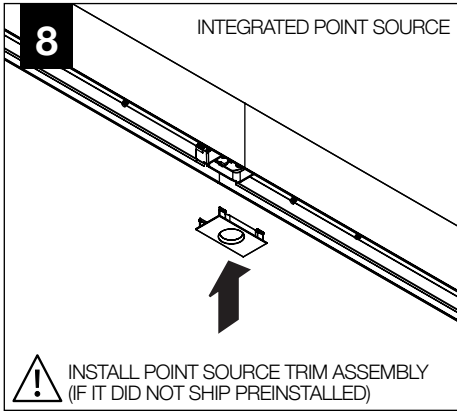
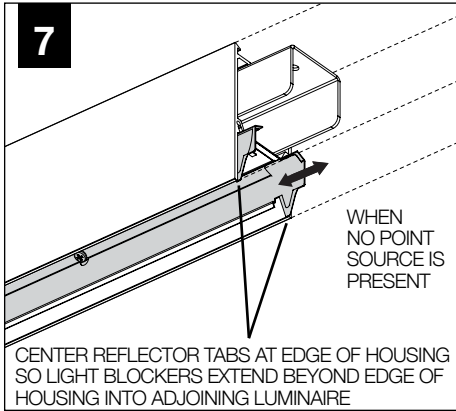
⚠️ INDIVIDUAL INSTALLATIONS FOLLOW STEPS 1, 3, 6, 8 & 9



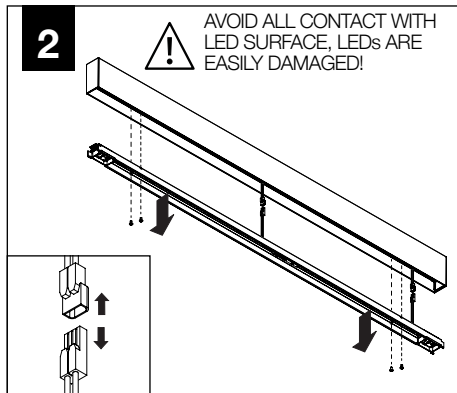
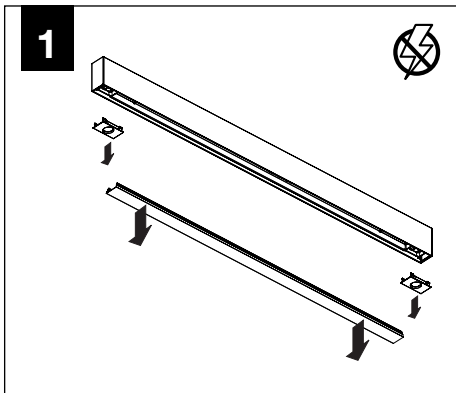


MAKE ELECTRICAL CONNECTIONS

MAKE ELECTRICAL CONNECTIONS



DRIVER SERVICE - INTEGRATED POINT SOURCE



DRIVER SERVICE - POINT SOURCE ONLY

