

Seem® 1 Point Source

Grid Ceiling | FSM1D



FOCAL POINT®



BEFORE YOU BEGIN

- Luminaires must be installed by a qualified electrician (check with local and national codes for proper installation).
- To prevent electrical shock, disconnect electrical supply before installation or servicing.
- Contractor is responsible for adequately reinforcing walls and/or ceilings to support fixture weight.
- Focal Point, LLC accepts no responsibility for inadequately reinforced walls and/or ceilings.
- The information contained in this drawing is the sole property of Focal Point, LLC. Any reproduction in part or whole without the written permission of Focal Point, LLC is prohibited.

INSTRUCTION KEY



ATTENTION



SEE ADDITIONAL INSTRUCTIONS

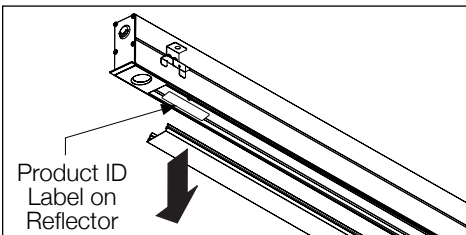


POWER OFF



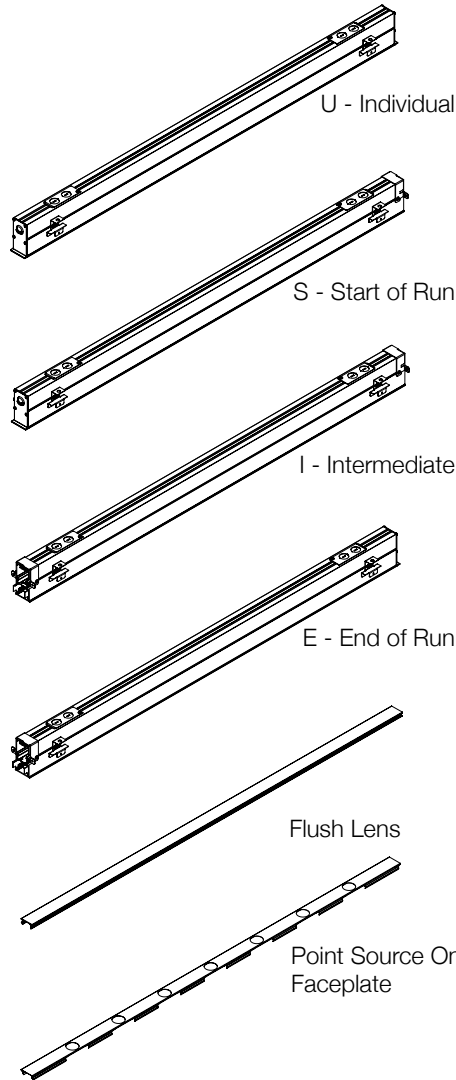
POWER ON

PRODUCT ID LOCATION

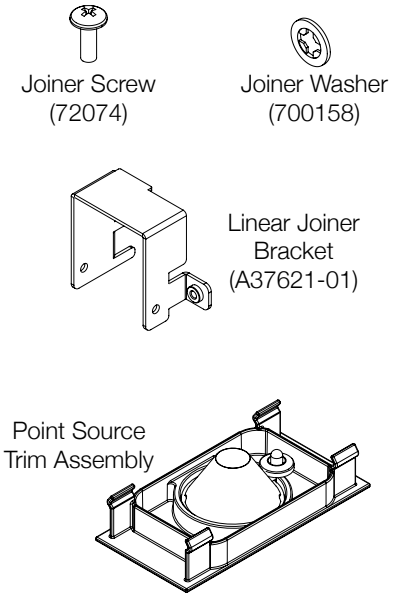


COMPONENT KEY

FOCAL POINT

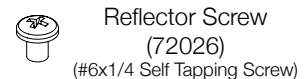


SHIPPED INSTALLED

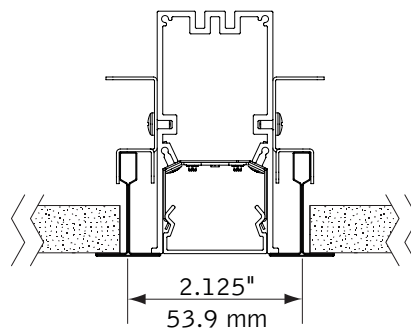


POINT SOURCE TRIM ASSEMBLY SHIPS INSTALLED IN SOME, BUT NOT ALL INSTANCES. COMPLETE INSTALL OF RUN PRIOR TO TRIM ASSEMBLY INSTALLATION.

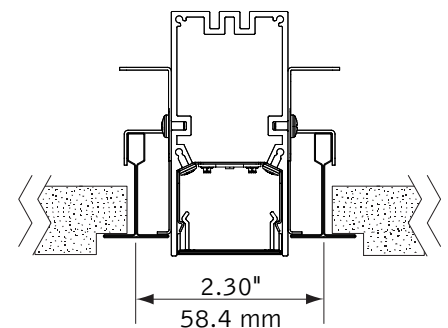
SHIPPED IN HARDWARE BAG



LAY-IN GRID SPACING



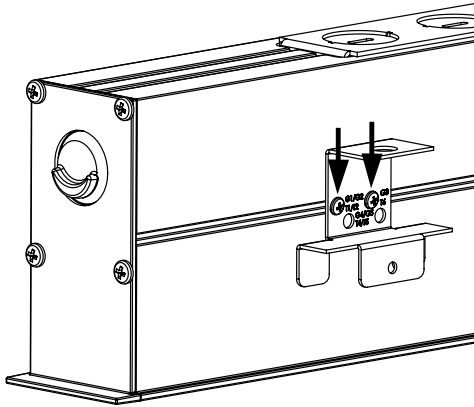
REGULAR GRID SPACING



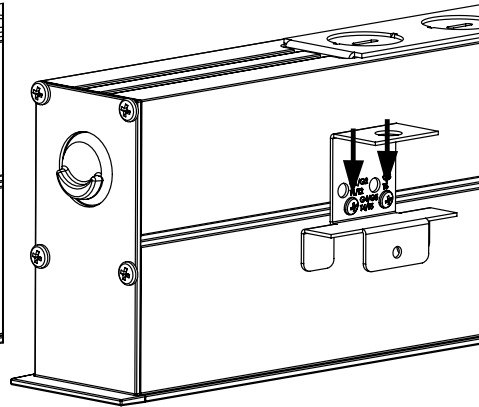
RAIL & CLIP GUIDE



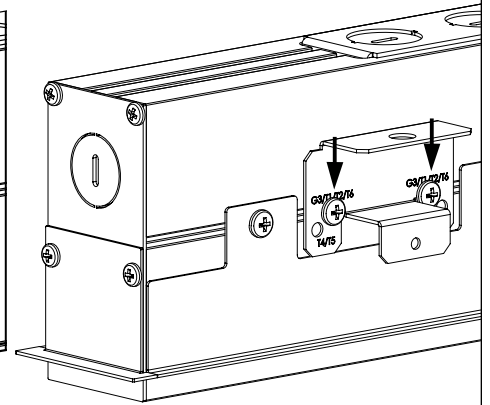
CHECK RAIL & CLIP POSITIONS BEFORE INSTALLATION. ARROWS INDICATE SCREW POSITIONS. TO CHANGE IN THE FIELD REMOVE AND REINSTALL ACCORDING TO DIAGRAMS BELOW.



G1: STD 15/16" Lay-In Tile
G2: STD 9/16" Lay-In Tile



G4: Tall 15/16" Lay-In Tile
G5: Tall 9/16" Lay-In Tile

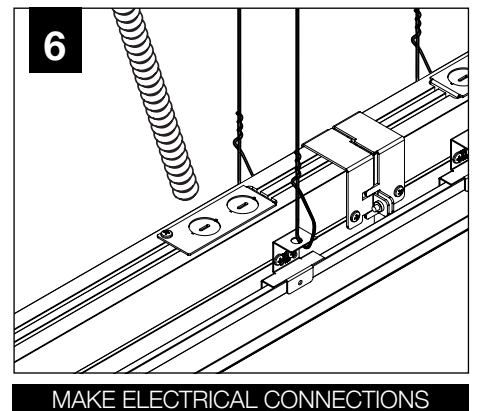
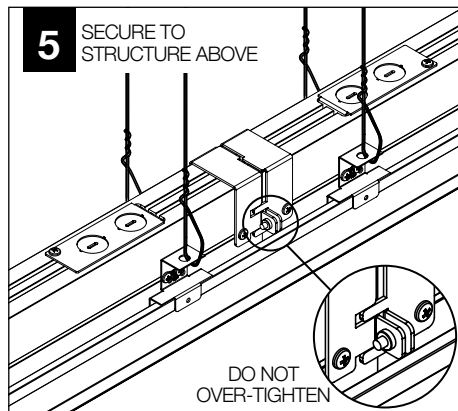
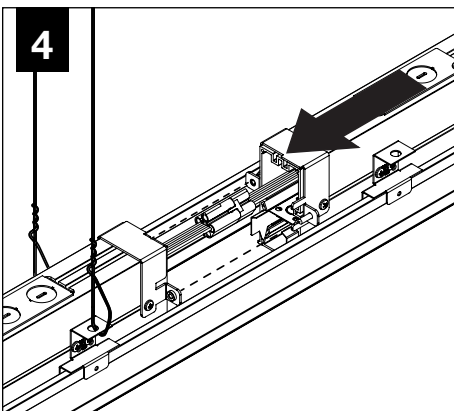
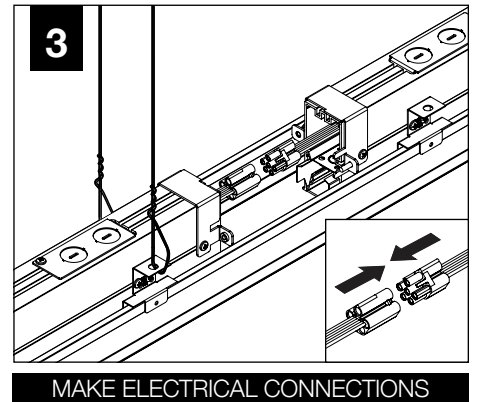
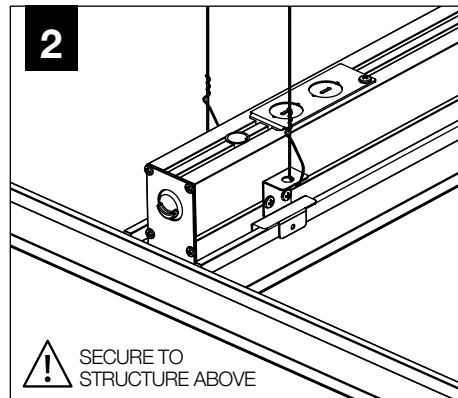
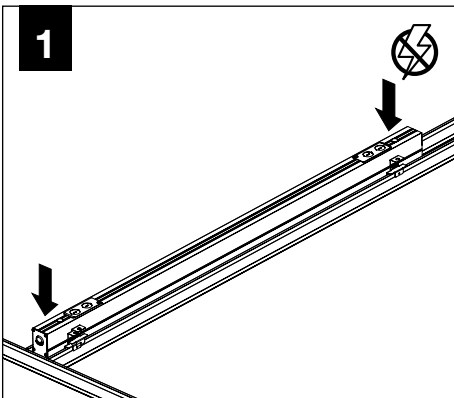


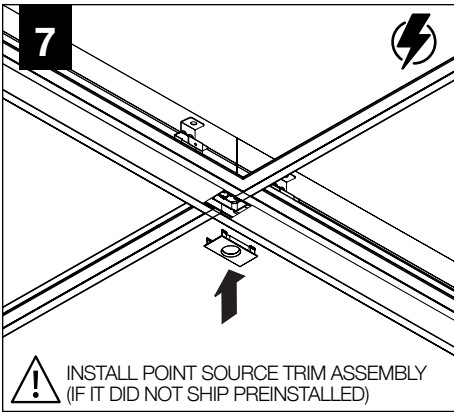
G3: 9/16" Slot-Tee Tegular Tile
T1: STD 15/16" Tegular Tile
T2: STD 9/16" Tegular Tile
T4: Tall 15/16" Tegular Tile
T5: Tall 9/16" Tegular Tile
T6: 9/16" Node Tegular Tile



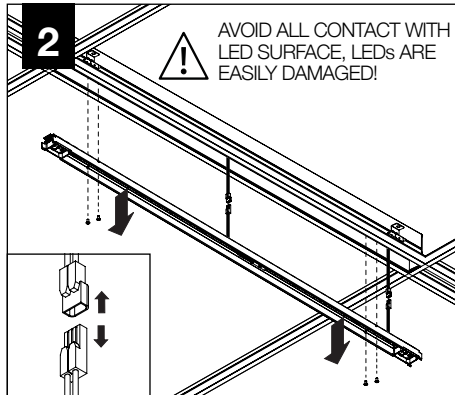
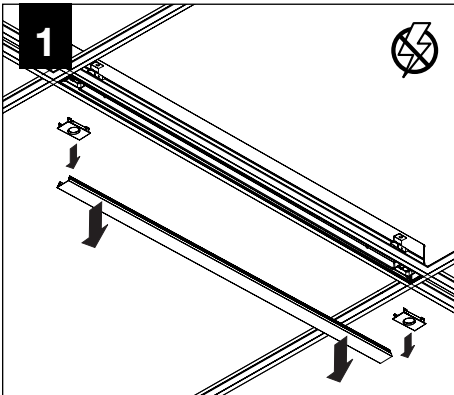
STD = 1-1/2" Tee Height, Tall = 1-11/16" Tee Height

INDIVIDUAL INSTALLATIONS FOLLOW STEPS 1, 2 & 6





DRIVER SERVICE - INTEGRATED POINT SOURCE



DRIVER SERVICE - POINT SOURCE ONLY

