

Seem® 1 Louver

Mud-In Drywal | FSM1C-XF



FOCAL POINT®



BEFORE YOU BEGIN

- Luminaires must be installed by a qualified electrician (check with local and national codes for proper installation).
- To prevent electrical shock, disconnect electrical supply before installation or servicing.
- Contractor is responsible for adequately reinforcing walls and/or ceilings to support fixture weight.
- Focal Point, LLC accepts no responsibility for inadequately reinforced walls and/or ceilings.
- The information contained in this drawing is the sole property of Focal Point, LLC. Any reproduction in part or whole without the written permission of Focal Point, LLC is prohibited.

INSTRUCTION KEY



ATTENTION



SEE ADDITIONAL INSTRUCTIONS

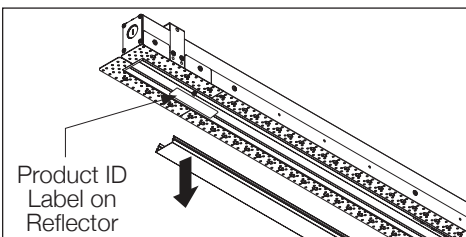


POWER OFF



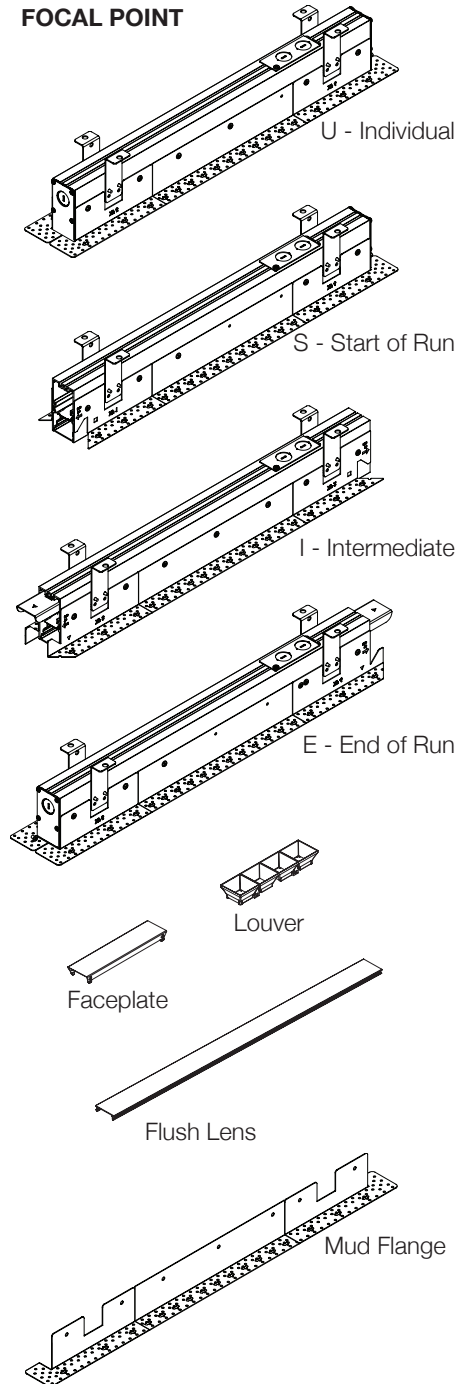
POWER ON

PRODUCT ID LOCATION



COMPONENT KEY

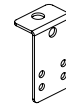
FOCAL POINT



SHIPPED INSTALLED



Tie-Wire Bracket Screw (72010)
(8-18 x 1/4 Self Tapping Screw)



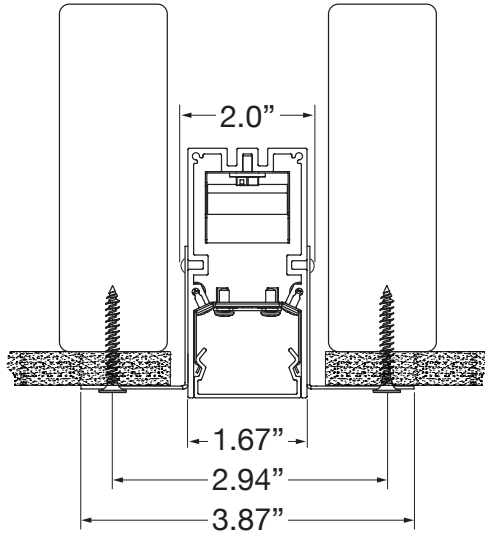
Tie Wire Bracket
(A38635-01)

SHIPPED IN HARDWARE BAG



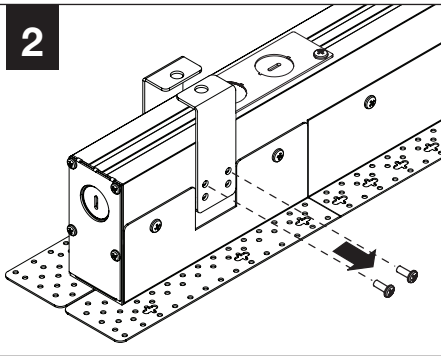
Reflector Screw
(72026)
(8-18 x 1/4 Self Tapping Screw)

1



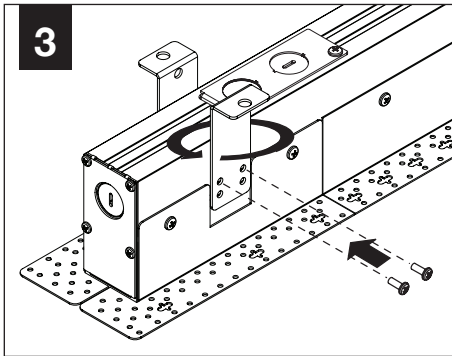
2"X6" FRAMING REQUIRED ON BOTH SIDES OF HOUSING

2



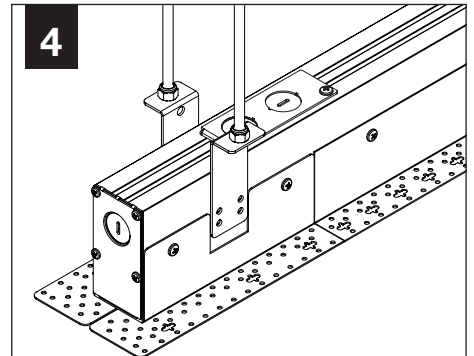
OPTIONAL

3



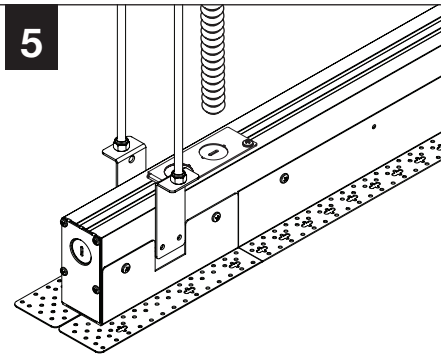
OPTIONAL

4



SECURE TO STRUCTURE ABOVE

5



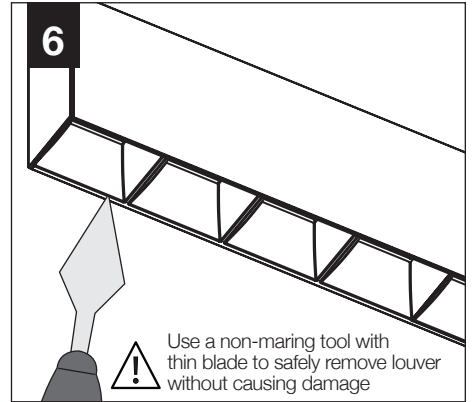
MAKE ELECTRICAL CONNECTIONS



STEPS 6-10 OPTIONAL

**LOUVER, LENS, FACEPLATE
REMOVAL IS ONLY NECESSARY
IF THERE IS NO ABOVE-CEILING
ACCESS AT INDIVIDUAL AND
FEED LOCATIONS**

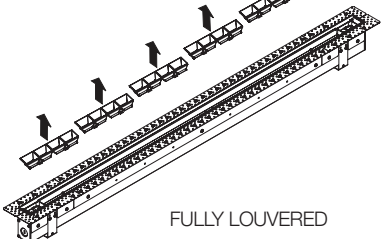
6



Use a non-marring tool with thin blade to safely remove louver without causing damage

6a

INDIVIDUAL AND FEED LOCATION ONLY

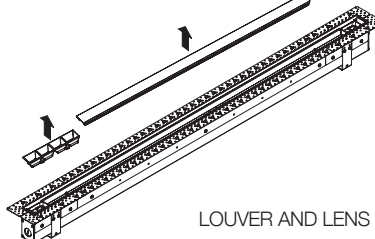


FULLY LOUVERED

! AVOID ALL CONTACT WITH LED SURFACE, LEDs ARE EASILY DAMAGED!

6b

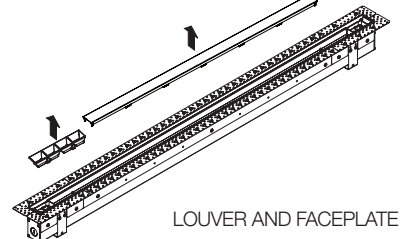
INDIVIDUAL AND FEED LOCATION ONLY



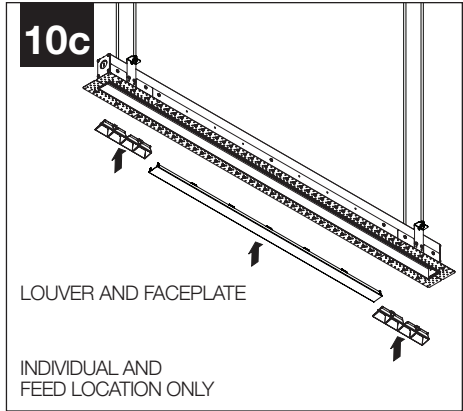
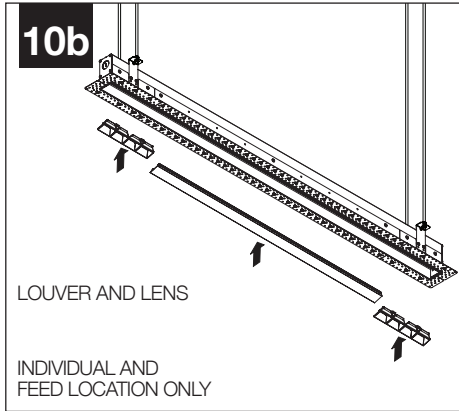
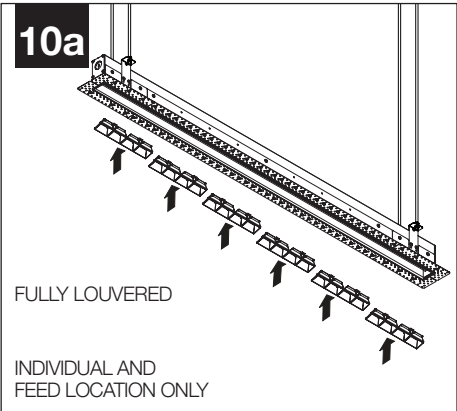
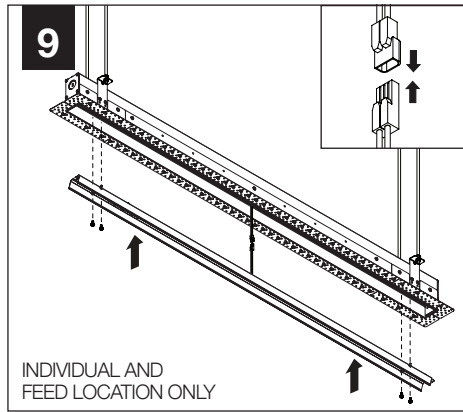
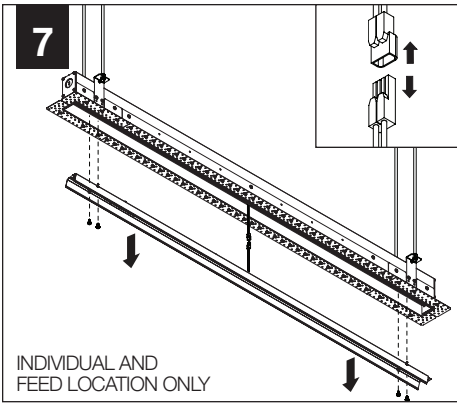
LOUVER AND LENS

6c

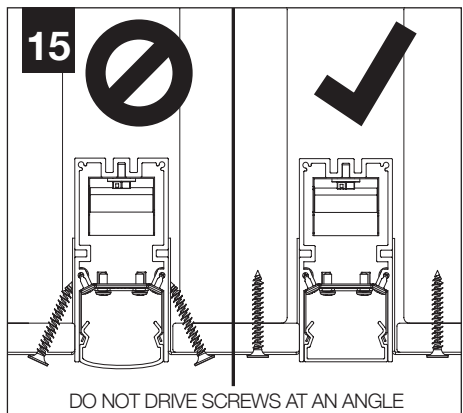
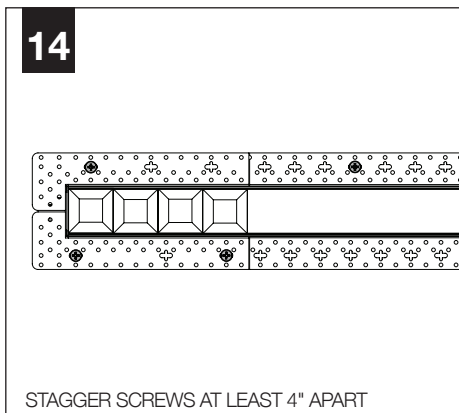
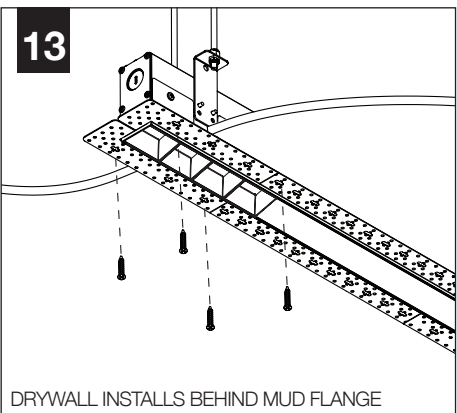
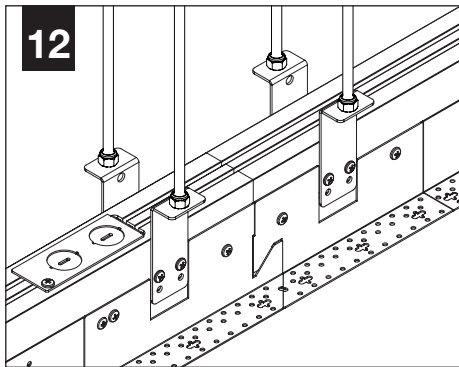
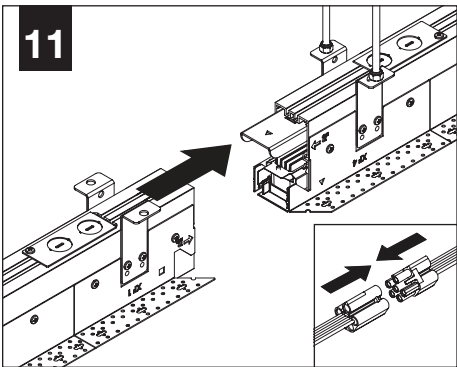
INDIVIDUAL AND FEED LOCATION ONLY

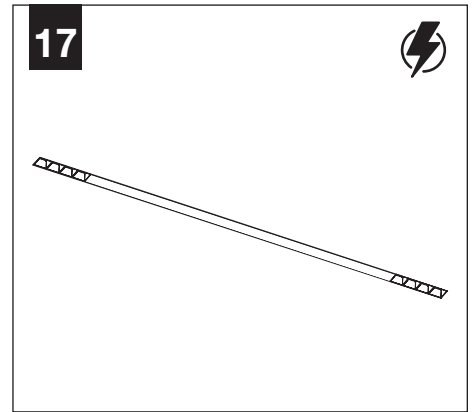
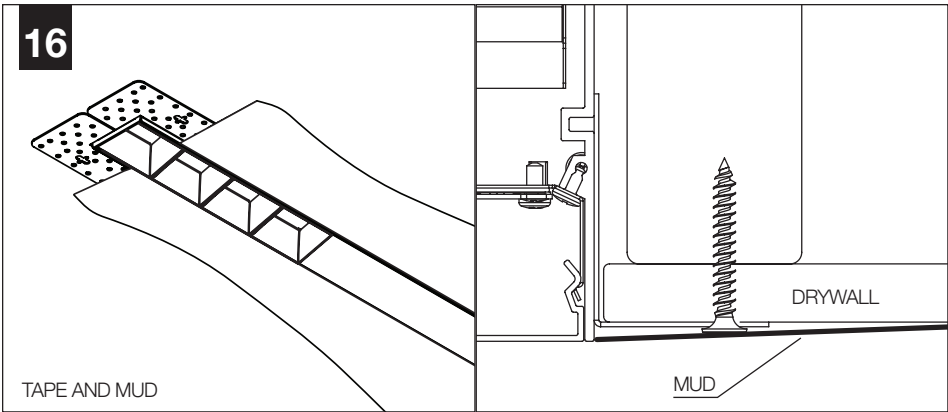


LOUVER AND FACEPLATE



INDIVIDUAL INSTALLATIONS SKIP TO STEP 13





EM- MOUNTING HEIGHT

I

See Battery Manufacturer Instructions

Emergency maximum mounting height:

External Switch: 26.4'

Internal Switch: 8.0'

DRIVER SERVICE

