

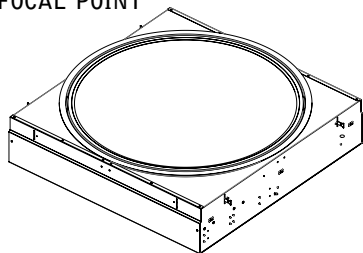
skydome™ led

FSDL 22 | 33 | 44

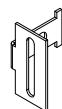


FOCAL POINT®

FOCAL POINT



INCLUDED HARDWARE



8 - LEVELLING SUPPORT BRACKETS

PROVIDED BY OTHERS

4 - 1/4-20 HANGER RODS
4 - C-CHANNELS (DRYWALL ONLY)

KEY



POWER OFF



POWER ON

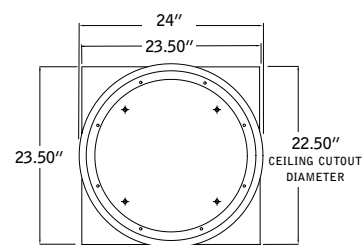
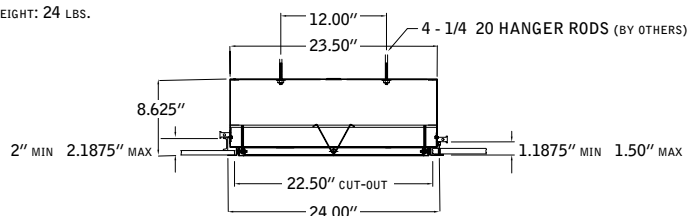


ATTENTION

⚠ LUMINAIRE MUST BE INSTALLED PRIOR TO CEILING

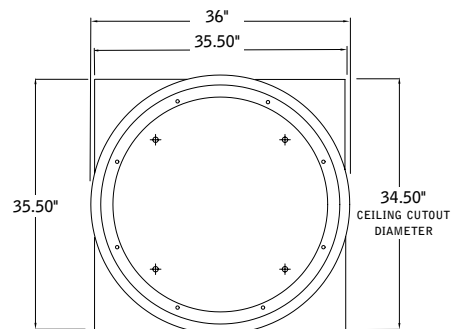
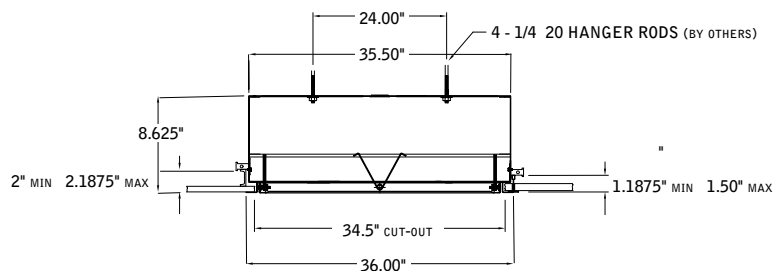
skydome 2x2

UNIT WEIGHT: 24 LBS.



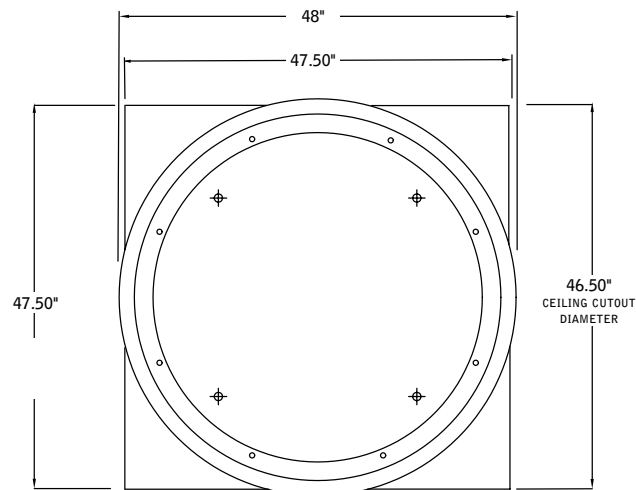
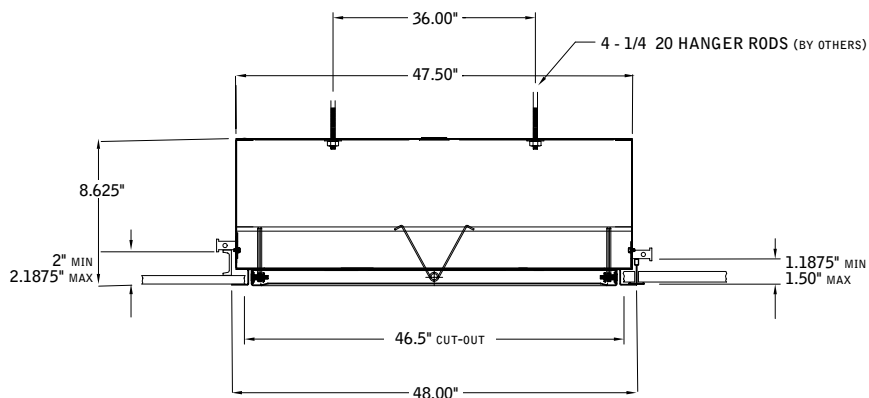
skydome 3x3

UNIT WEIGHT: 44 LBS.



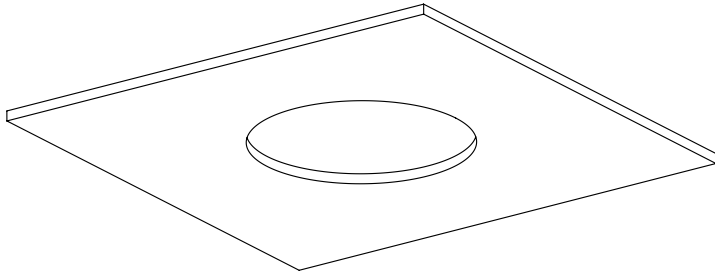
skydome 4x4

UNIT WEIGHT: 58 LBS.



Luminaires must be installed by a qualified electrician (check with local and national codes for proper installation).
To prevent electrical shock, disconnect electrical supply before installation or servicing.

CEILING CUTOUT DIAMETER - GRID & DRYWALL

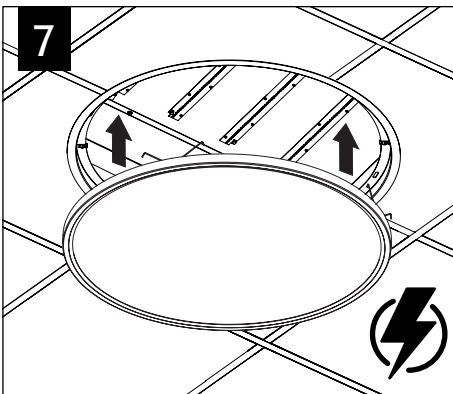
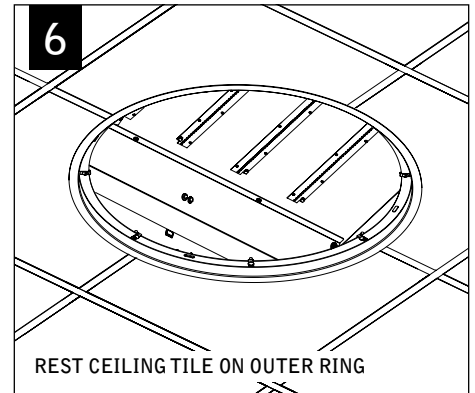
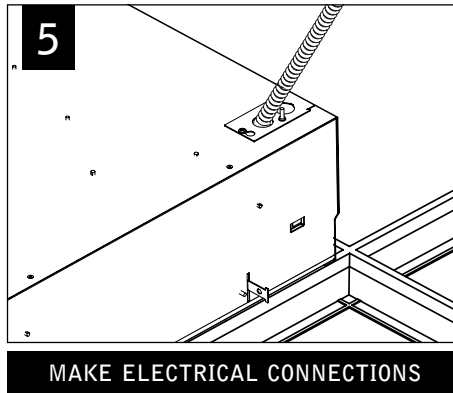
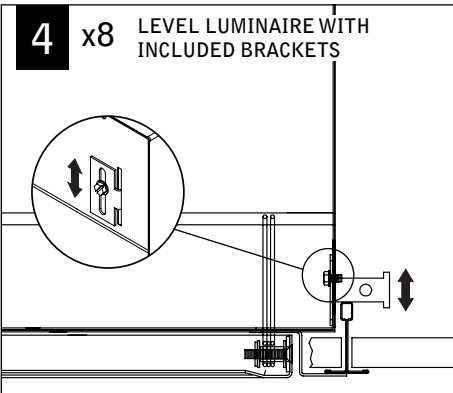
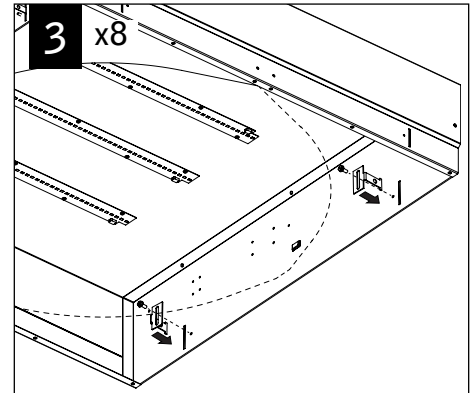
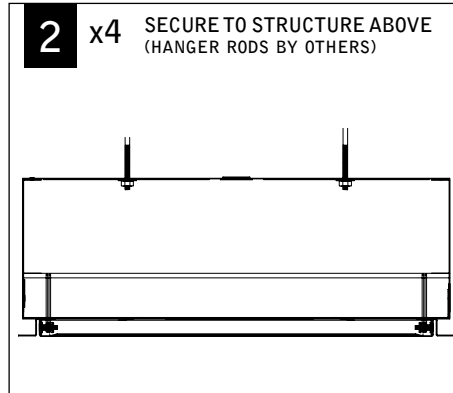
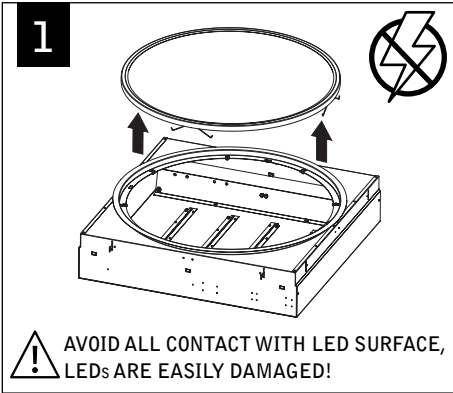


skydome 2x2 – 22.10" MIN 22.50" MAX

skydome 3x3 – 34.10" MIN 34.50" MAX

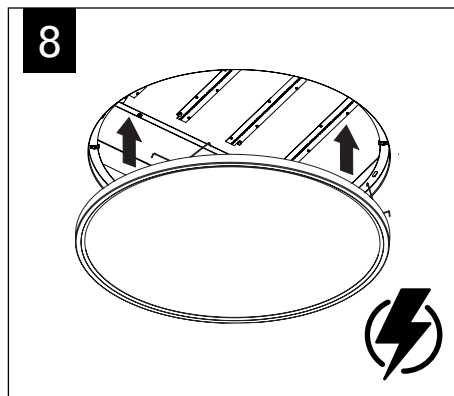
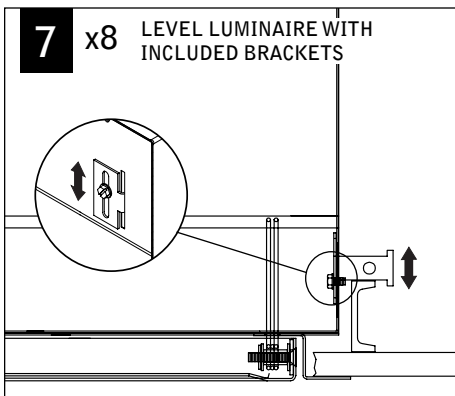
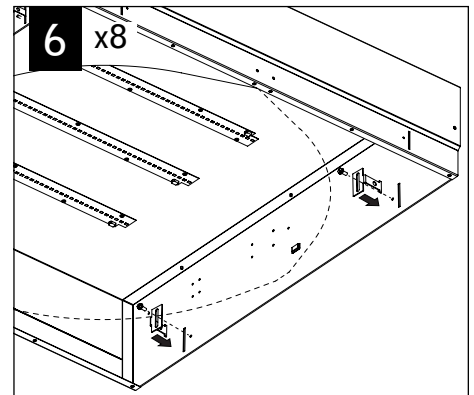
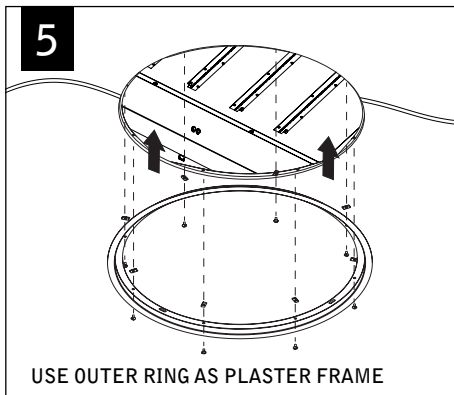
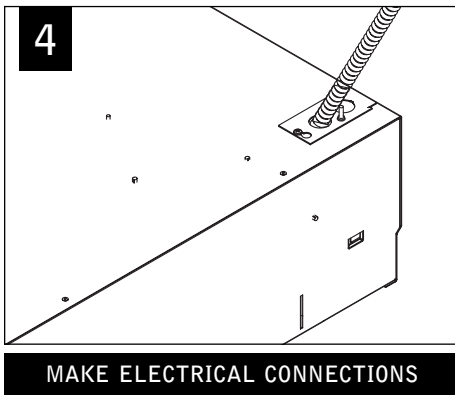
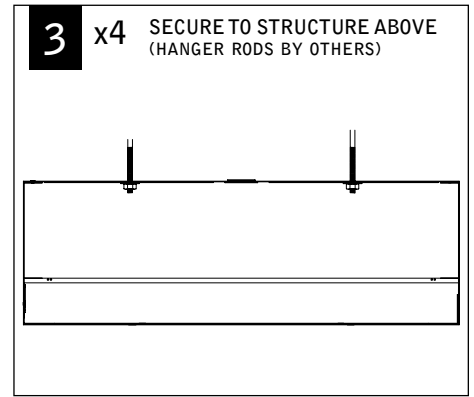
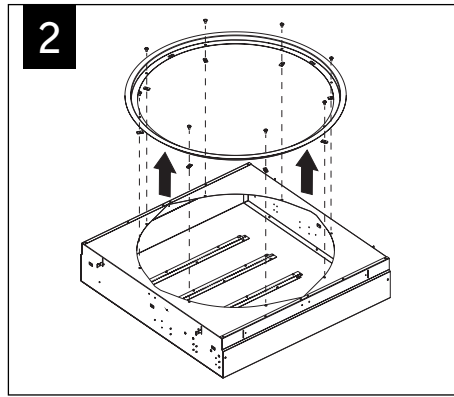
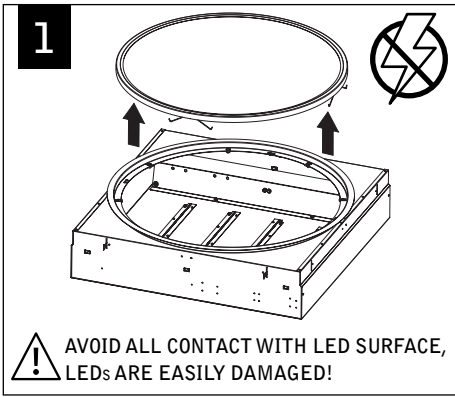
skydome 4x4 – 46.10" MIN 46.50" MAX

GRID

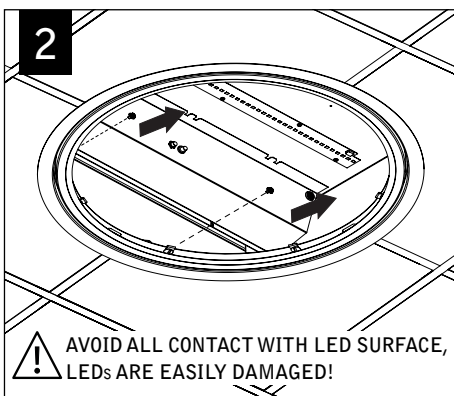
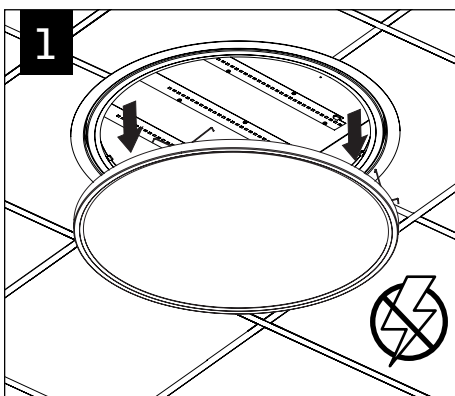


Luminaires must be installed by a qualified electrician (check with local and national codes for proper installation).
To prevent electrical shock, disconnect electrical supply before installation or servicing.

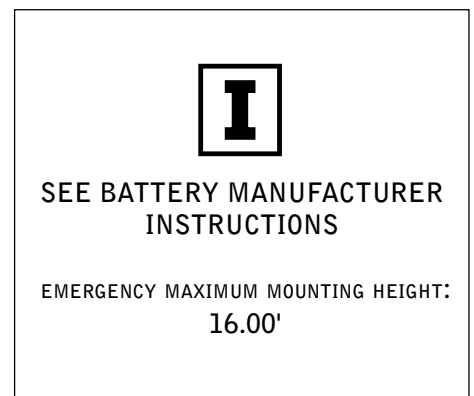
DRYWALL



DRIVER SERVICE



EMERGENCY



Contractor is responsible for adequately reinforcing walls and/or ceilings to support luminaire weight. Focal Point, LLC accepts no responsibility for inadequately reinforced walls and/or ceilings. The information contained in this drawing is the sole property of Focal Point, LLC. Any reproduction in part or whole without the written permission of Focal Point, LLC is prohibited.