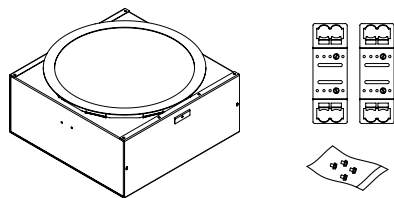


skydome™ led 1x1

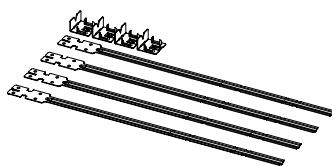
FSDL-11



FOCAL POINT



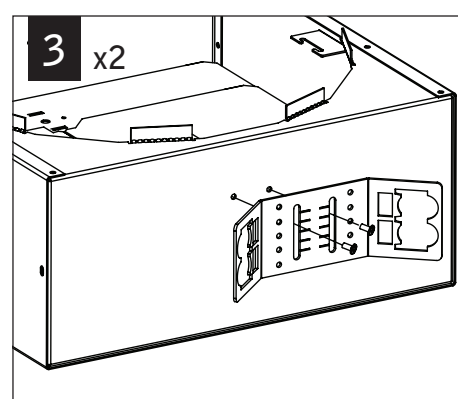
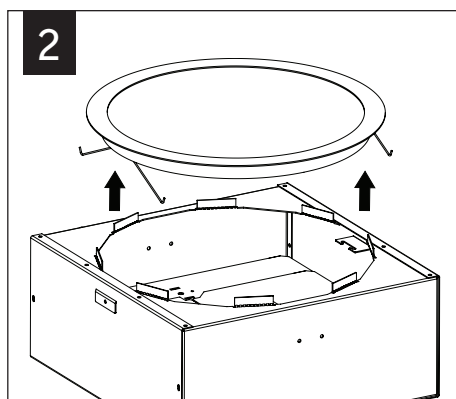
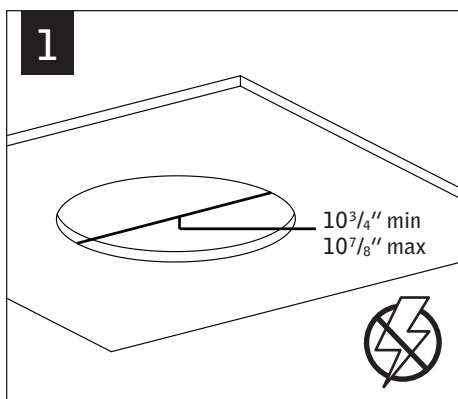
OPTIONAL - SOLD SEPARATELY



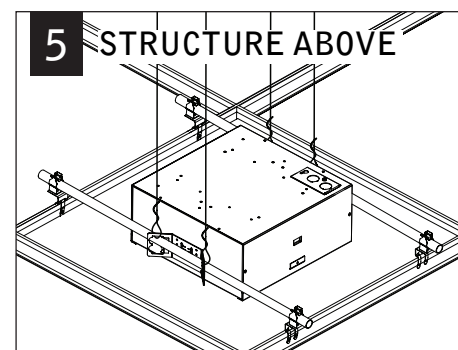
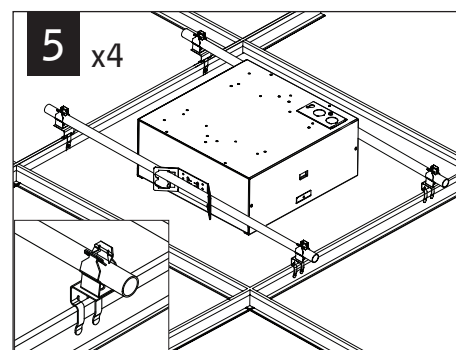
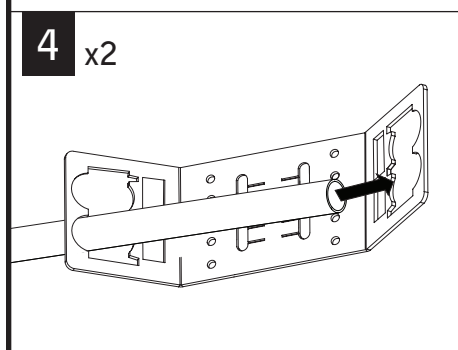
KEY



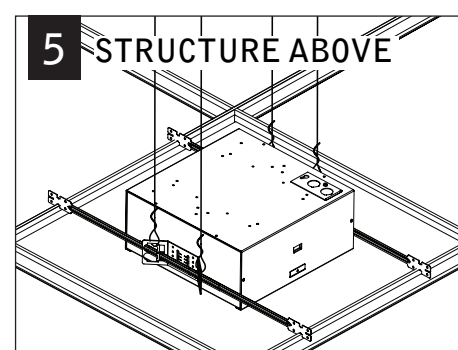
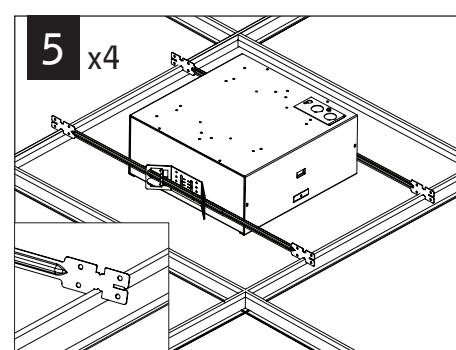
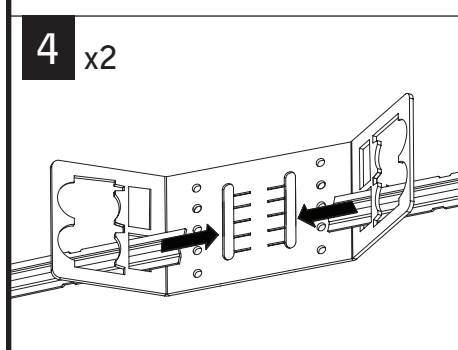
! LUMINAIRE MUST BE INSTALLED PRIOR TO DRYWALL CEILING NOT RECOMMENDED FOR ON GRID INSTALLATION



GRID - 1/2" CONDUIT & CLIP (BY OTHERS)

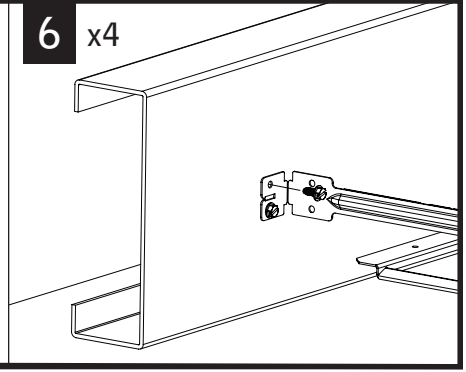
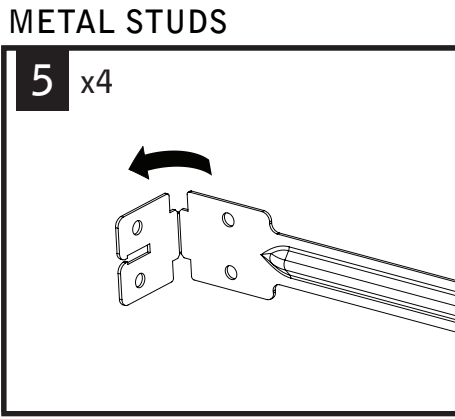
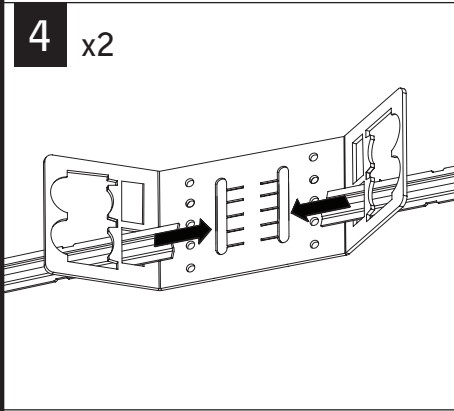


GRID - BAR HANGERS (SOLD SEPARATELY)

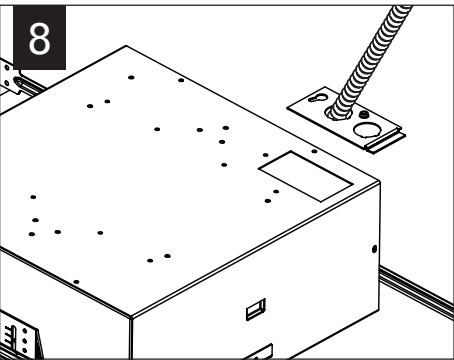
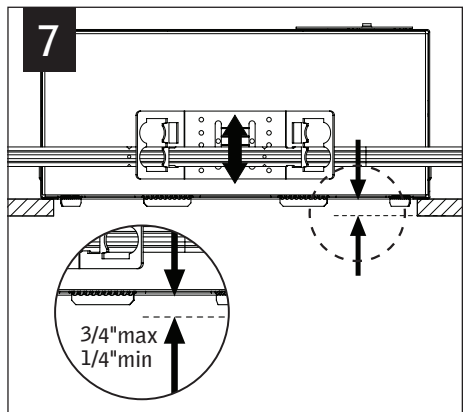
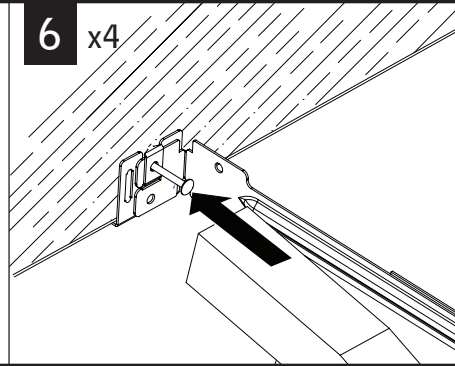
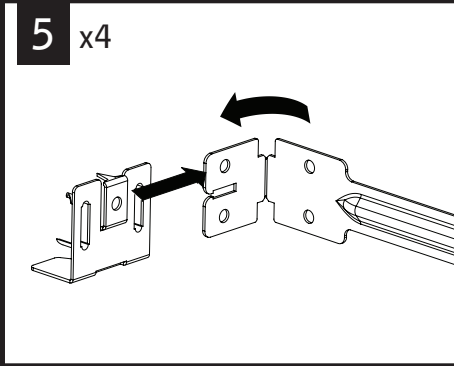


Luminaires must be installed by a qualified electrician (check with local and national codes for proper installation).
To prevent electrical shock, disconnect electrical supply before installation or servicing.

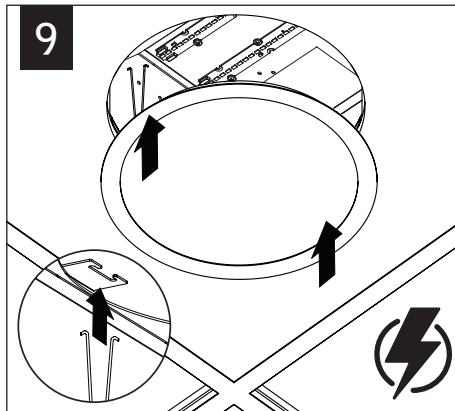
DRYWALL - BAR HANGERS (SOLD SEPARATELY)



WOOD STUDS



MAKE ELECTRICAL CONNECTIONS



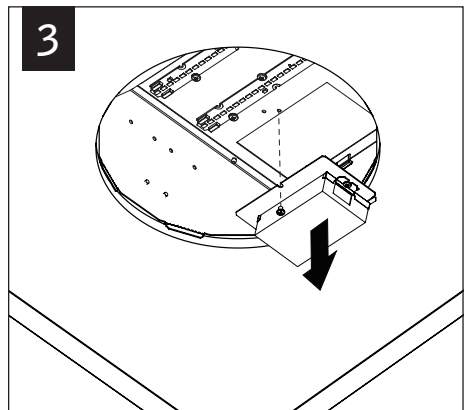
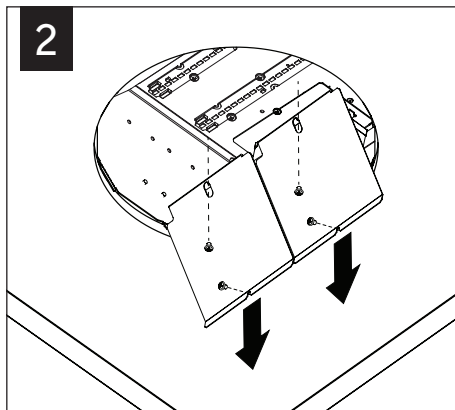
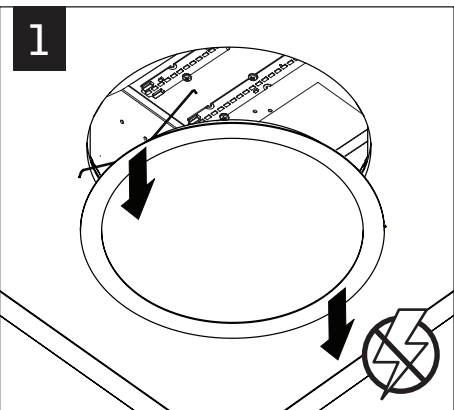
EMERGENCY



SEE BATTERY MANUFACTURER INSTRUCTIONS

EMERGENCY MAXIMUM MOUNTING HEIGHT: 8.00'

DRIVER SERVICE



Contractor is responsible for adequately reinforcing walls and/or ceilings to support luminaire weight. Focal Point, LLC accepts no responsibility for inadequately reinforced walls and/or ceilings. The information contained in this drawing is the sole property of Focal Point, LLC. Any reproduction in part or whole without the written permission of Focal Point, LLC is prohibited.