

BEFORE YOU BEGIN

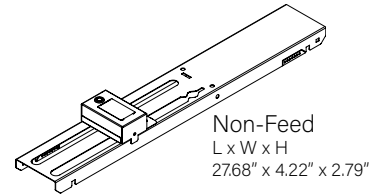
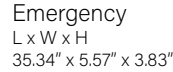
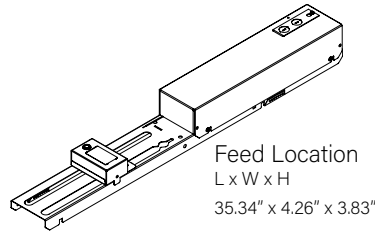
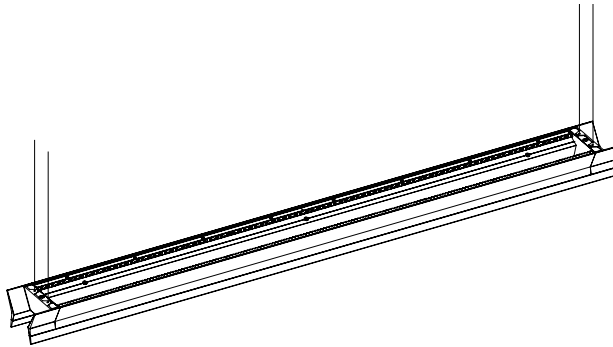
- Luminaires must be installed by a qualified electrician (check with local and national codes for proper installation).
- To prevent electrical shock, disconnect electrical supply before installation or servicing.
- Contractor is responsible for adequately reinforcing walls and/or ceilings to support fixture weight.
- Focal Point, LLC accepts no responsibility for inadequately reinforced walls and/or ceilings.
- The information contained in this drawing is the sole property of Focal Point, LLC. Any reproduction in part or whole without the written permission of Focal Point, LLC is prohibited.

INSTRUCTION KEY

- ATTENTION**
- SEE ADDITIONAL INSTRUCTIONS**
- POWER OFF**
- POWER ON**

COMPONENT KEY

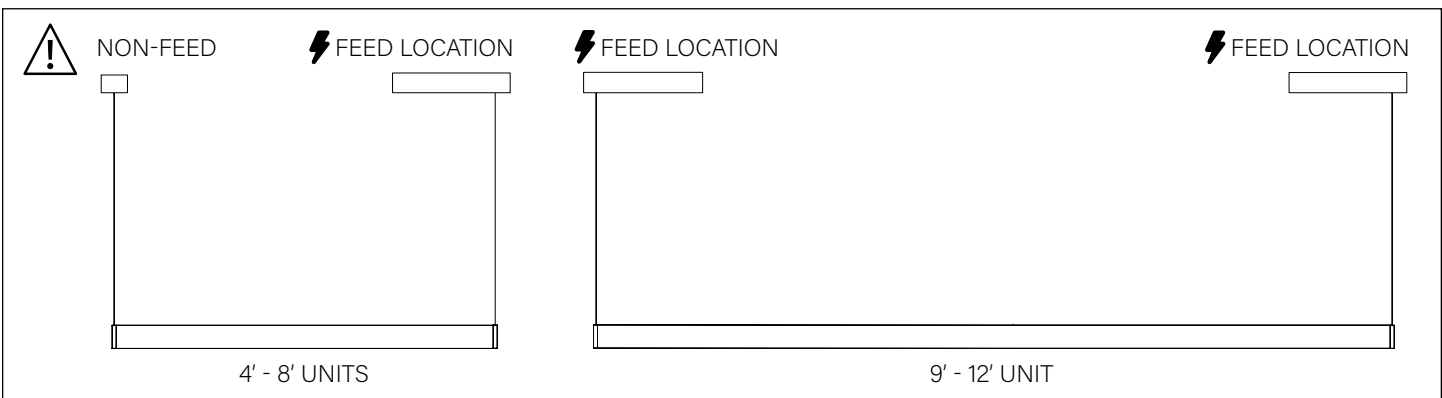
FOCAL POINT



PARTS LIST

- O-Rings (2 per canopy) (700153)
- Cable Sleeve (700122)
- Clear Cable Sleeve (optional) (700124)

RUN FEED LOCATIONS

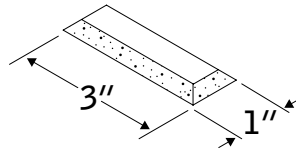




**DO NOT TRIM EXCESS
SUSPENSION CABLE UNTIL
LUMINAIRE IS FULLY ADJUSTED.**

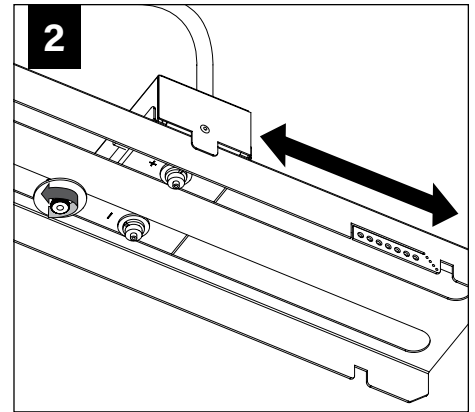
**CABLES ARE NOT
FIELD REPLACABLE.**

1

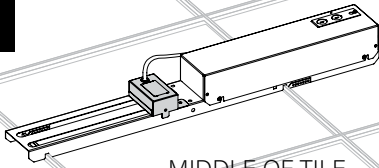


CUTOUT

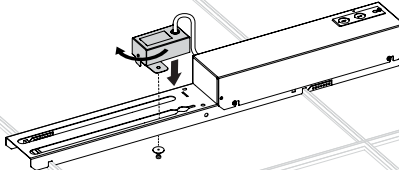
2



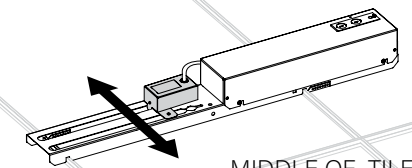
3



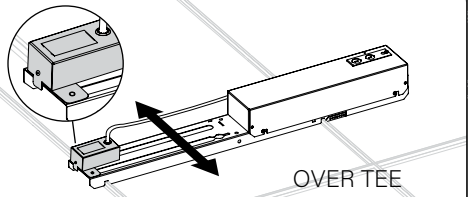
MIDDLE OF TILE



ROTATE CABLE GRIPPER CARRIAGE
IF NECESSARY

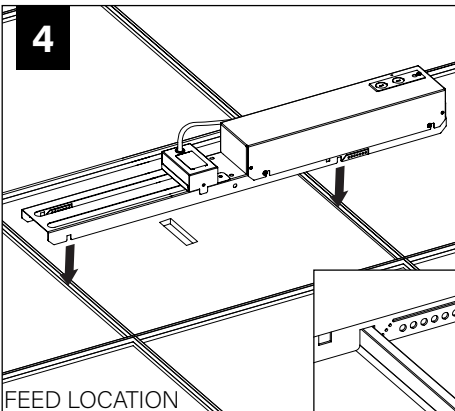


MIDDLE OF TILE



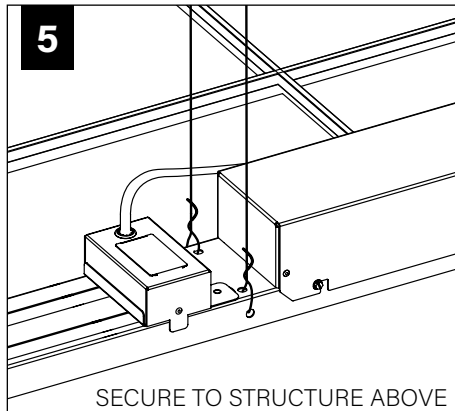
OVER TILE

4



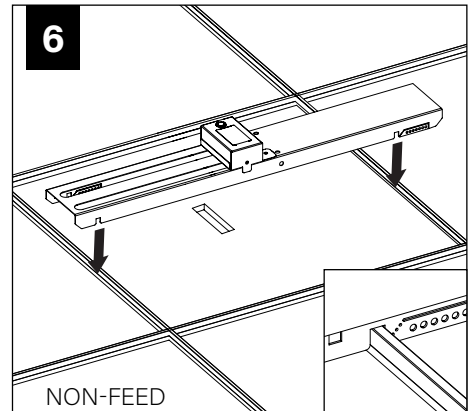
FEED LOCATION

5



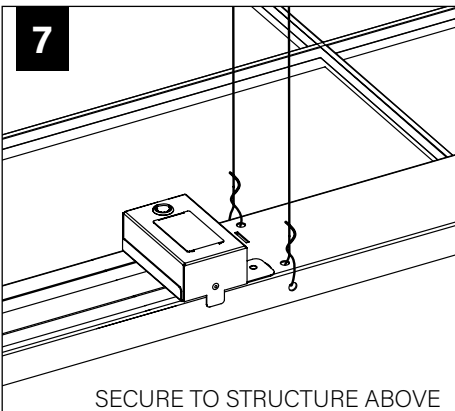
SECURE TO STRUCTURE ABOVE

6



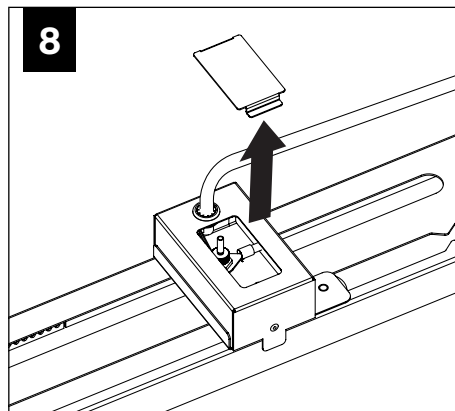
NON-FEED

7

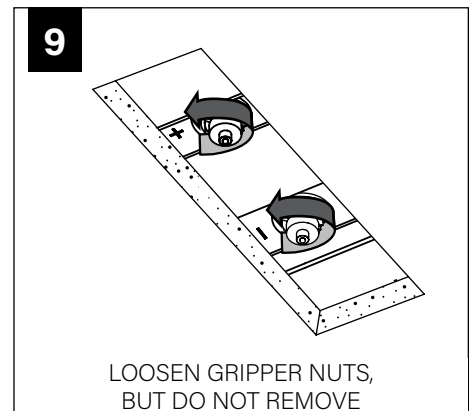


SECURE TO STRUCTURE ABOVE

8



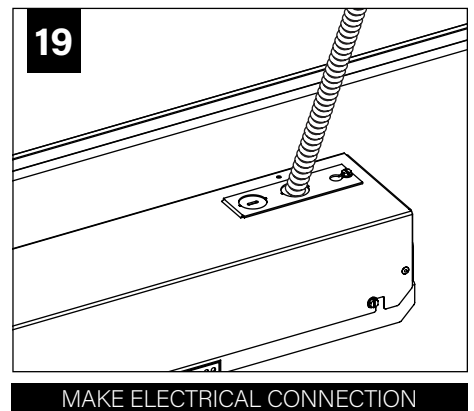
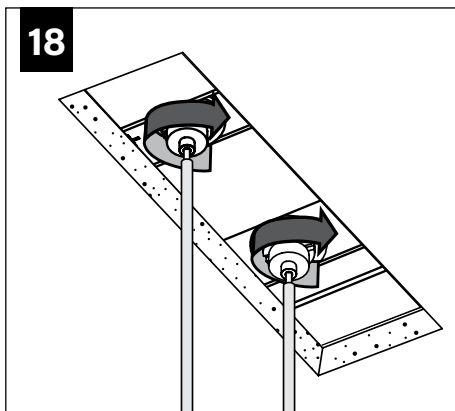
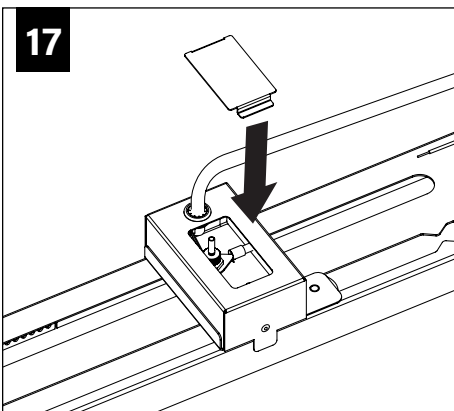
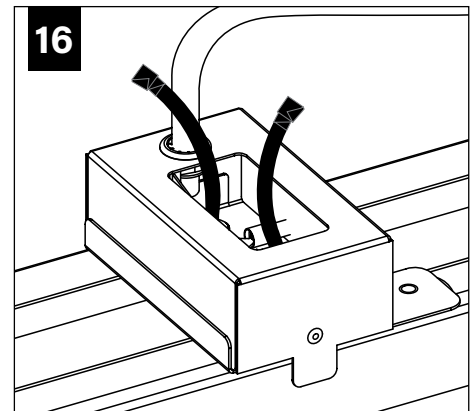
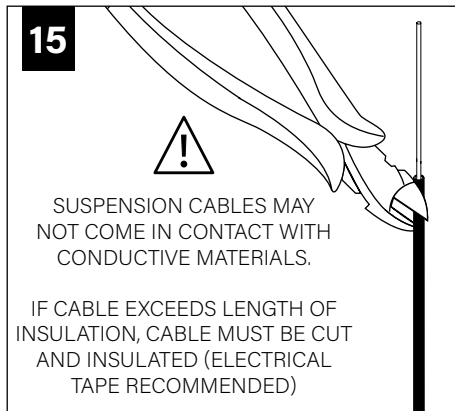
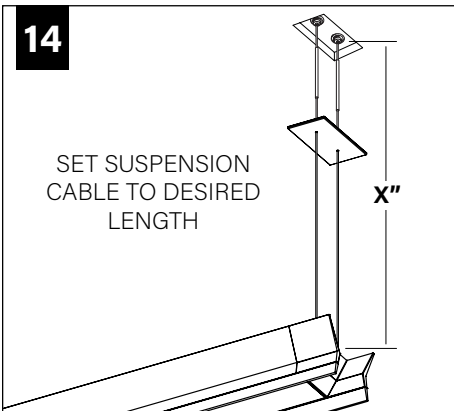
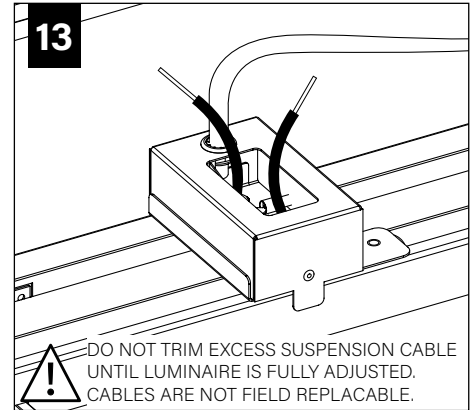
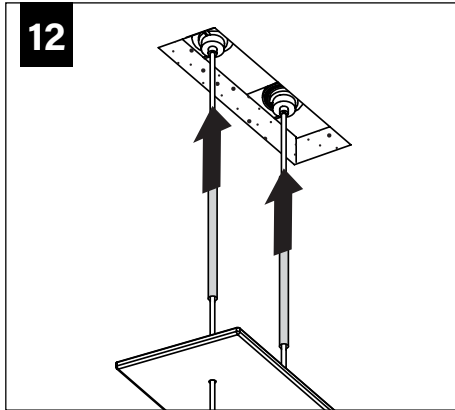
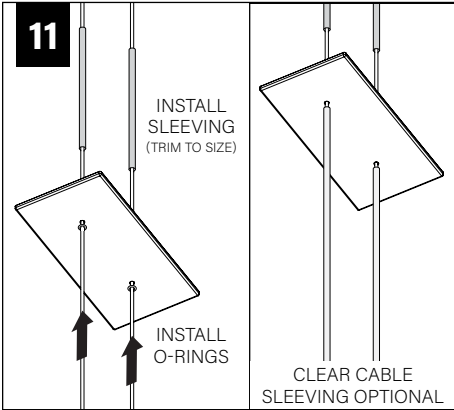
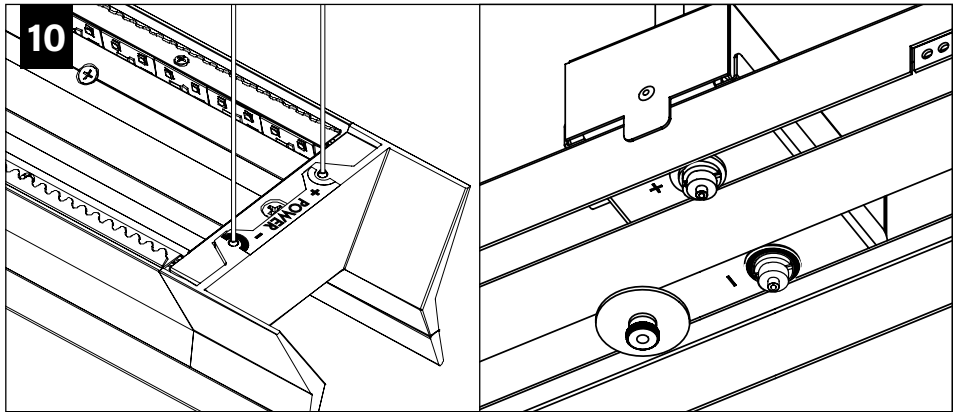
9

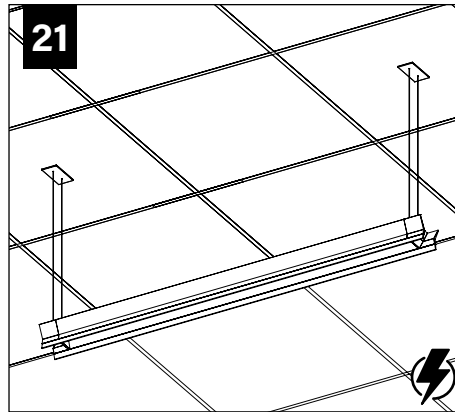
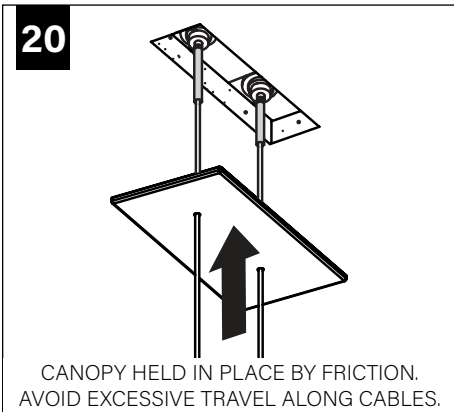


LOOSEN GRIPPER NUTS,
BUT DO NOT REMOVE

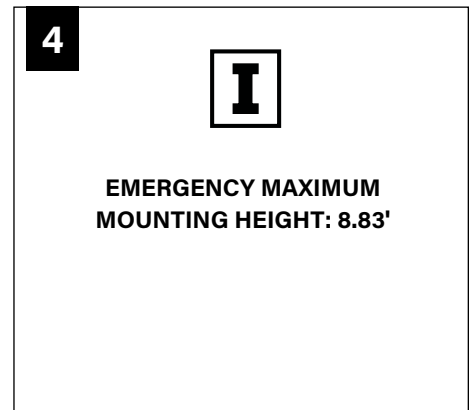
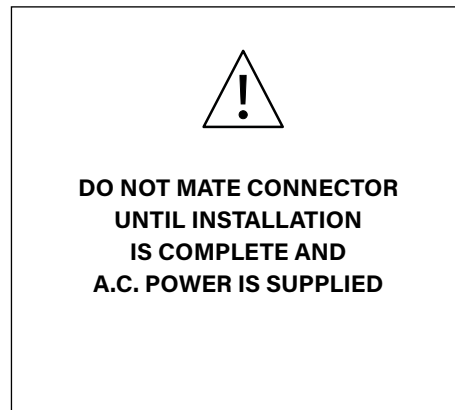
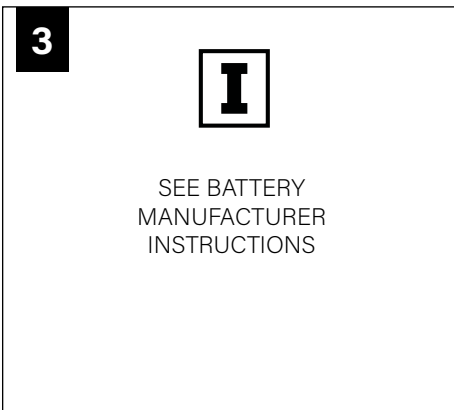
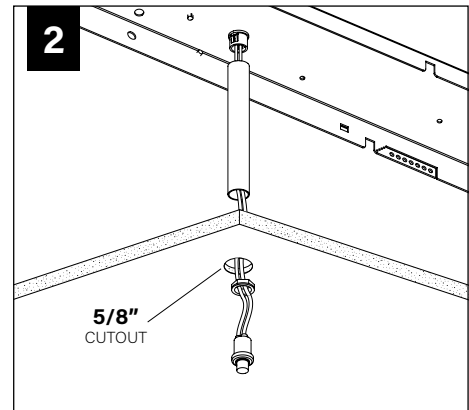
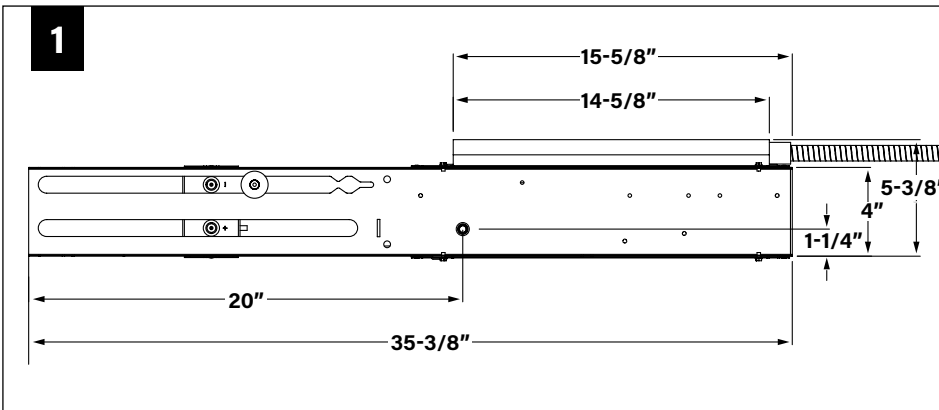


MATCH POLARITY OF LOW VOLTAGE CABLES ON LUMINAIRE WITH POSITIVE AND NEGATIVE TERMINALS ON POWERED FEED AS INDICATED

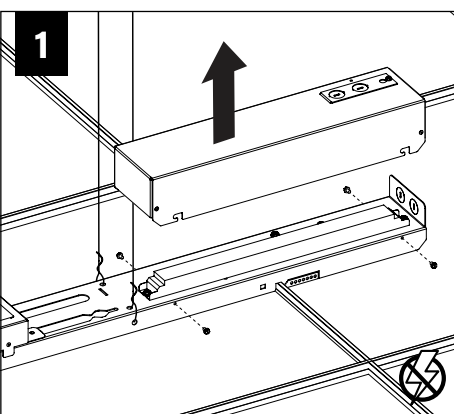




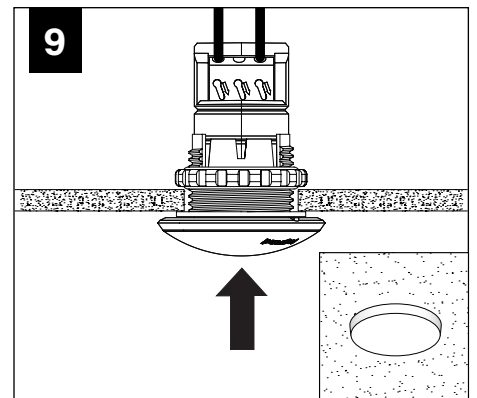
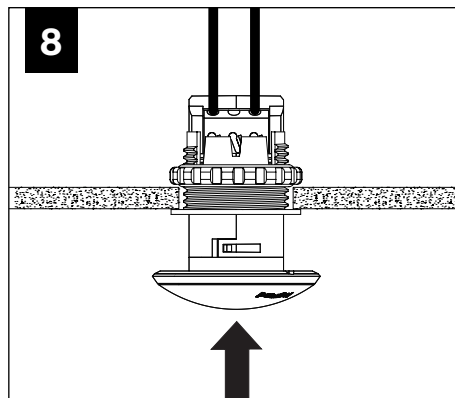
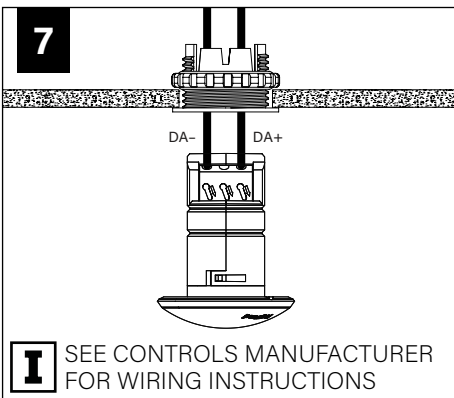
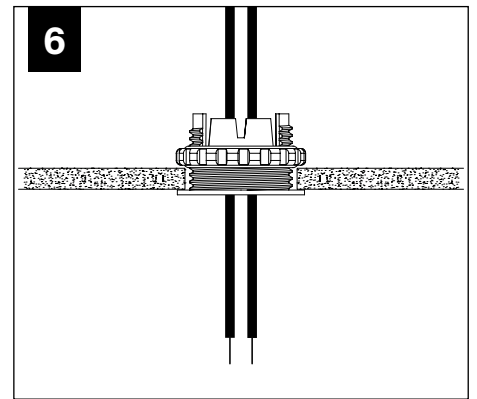
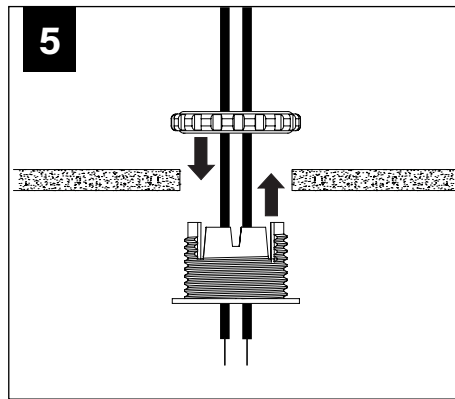
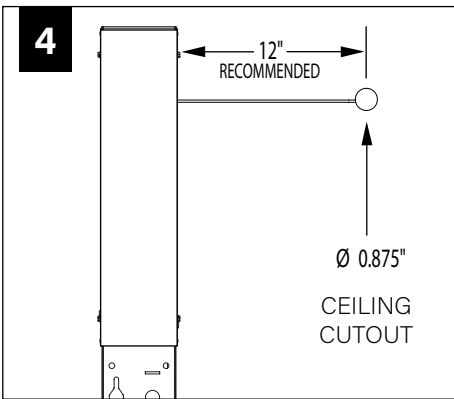
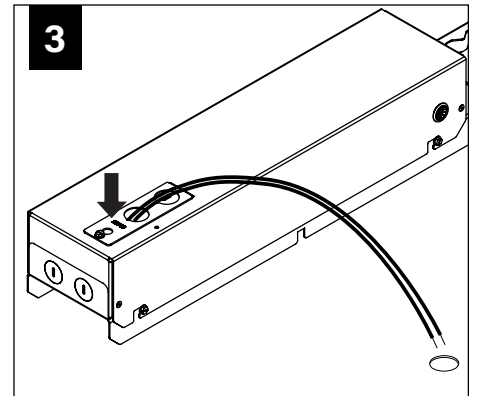
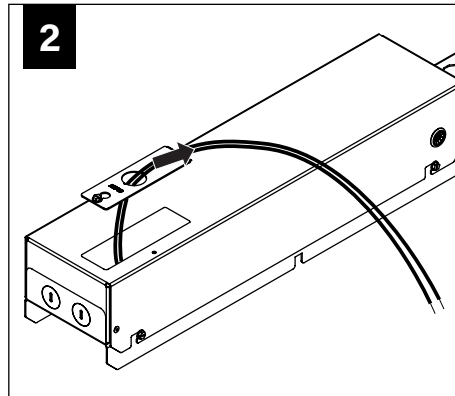
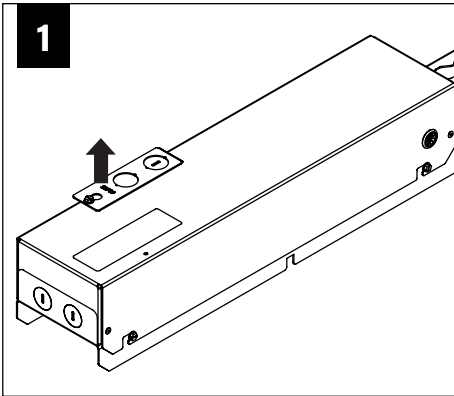
EMERGENCY



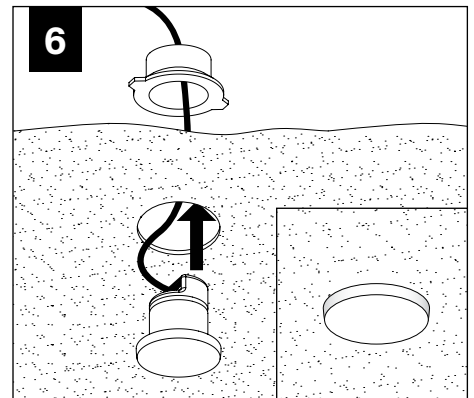
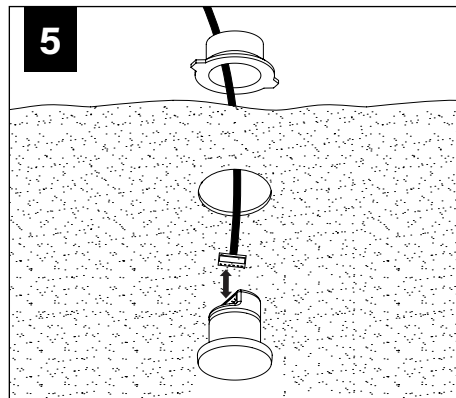
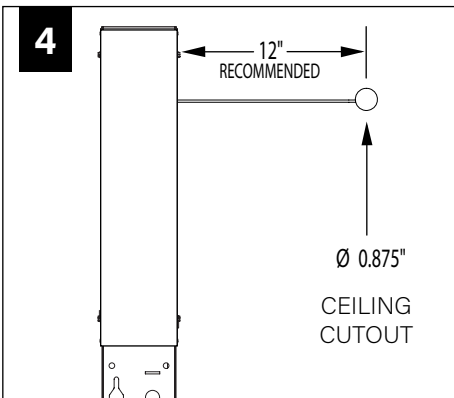
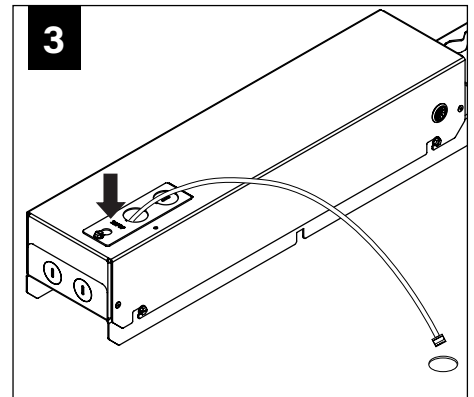
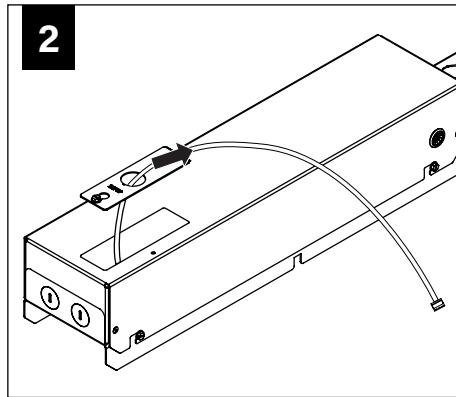
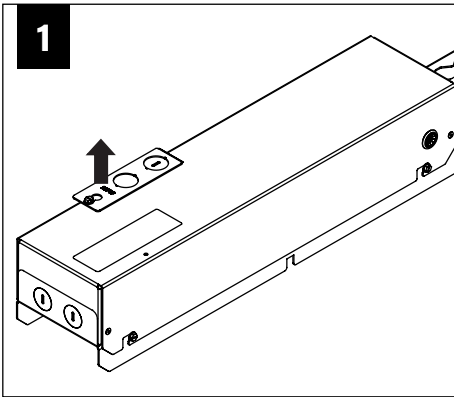
DRIVER SERVICE



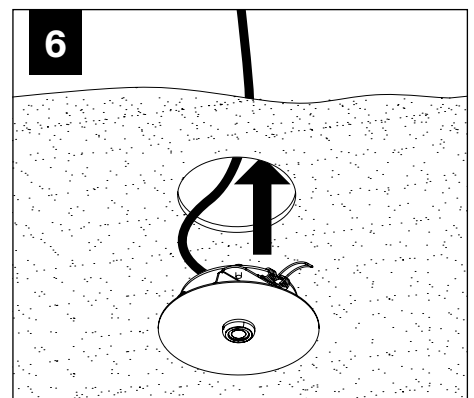
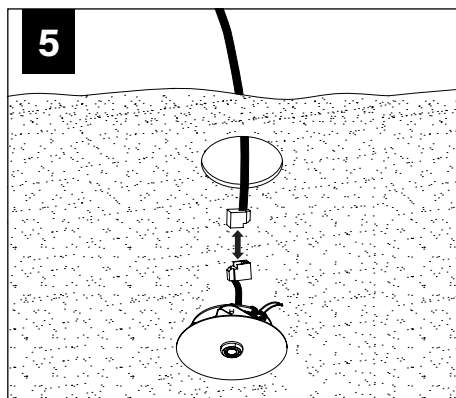
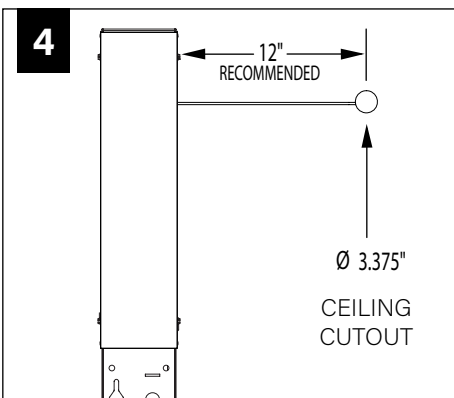
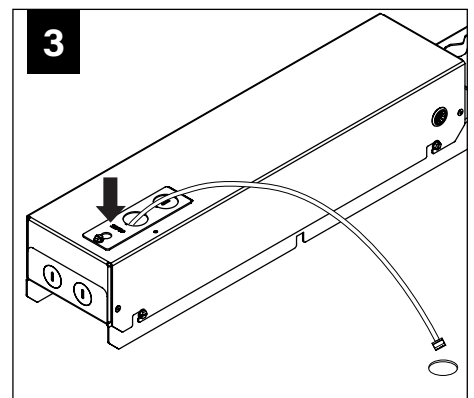
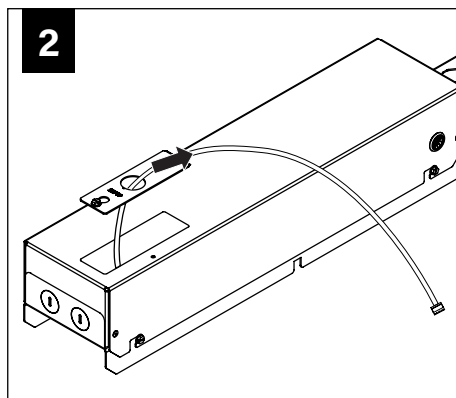
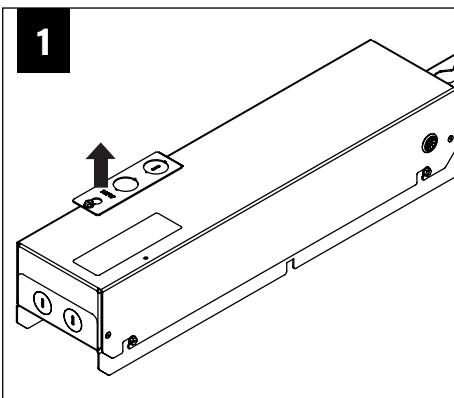
WATTSTOPPER



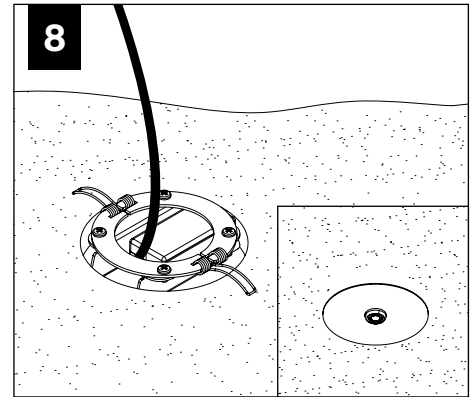
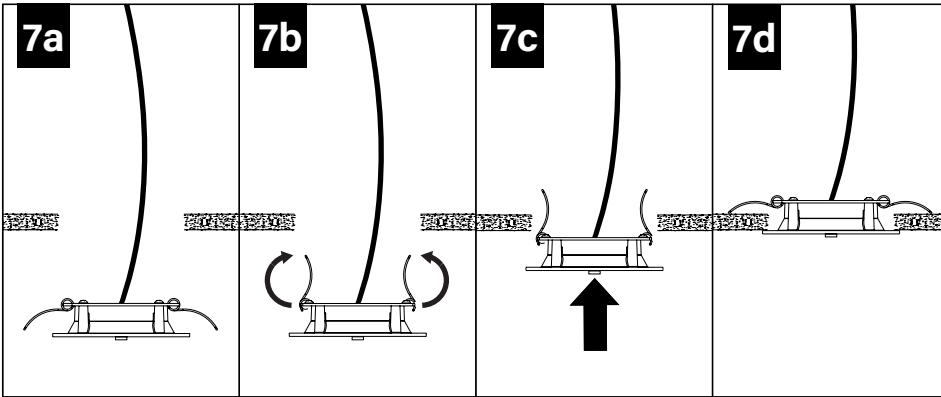
ENLIGHTED



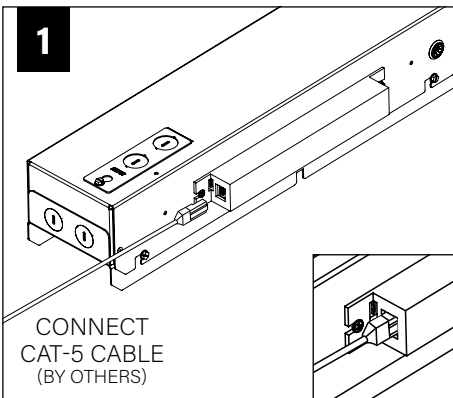
WAVELINX



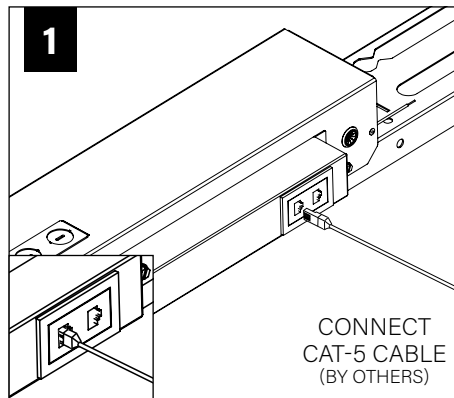
WAVELINX



ACUITY nLIGHT



WATTSTOPPER



HUBBELL NX

