

Nera™ linear hard ceiling

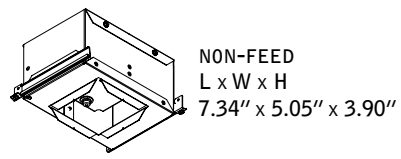
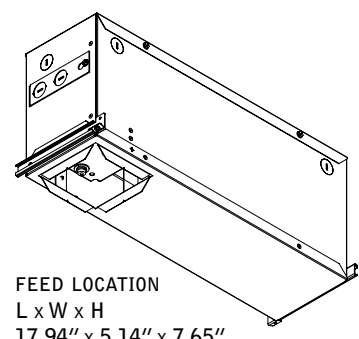
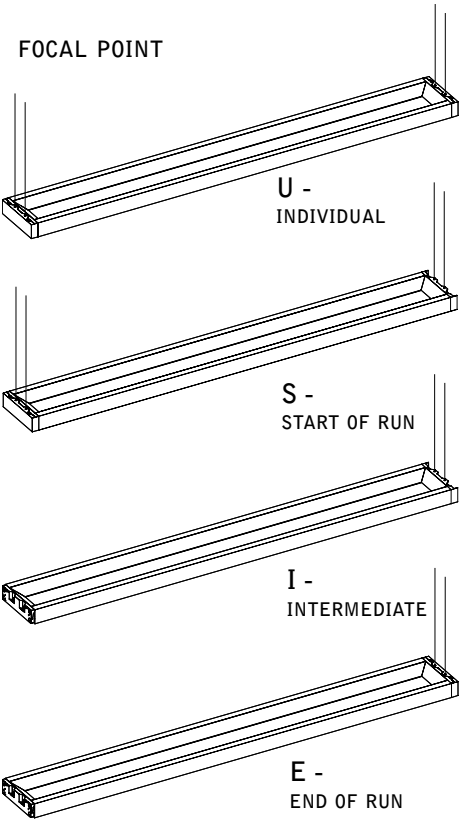
FNRS-HS



FOCAL POINT™

! DO NOT POWER LUMINAIRE UNTIL INSTALLATION IS COMPLETE. SUSPENSION CABLES ARE POWERED. DO NOT ALLOW CABLES TO COME IN CONTACT WITH CONDUCTIVE MATERIALS. !

! CONFIGURATIONS ARE RUN SPECIFIC, PLEASE CONSULT FACTORY DRAWINGS BEFORE BEGINNING INSTALLATION. !



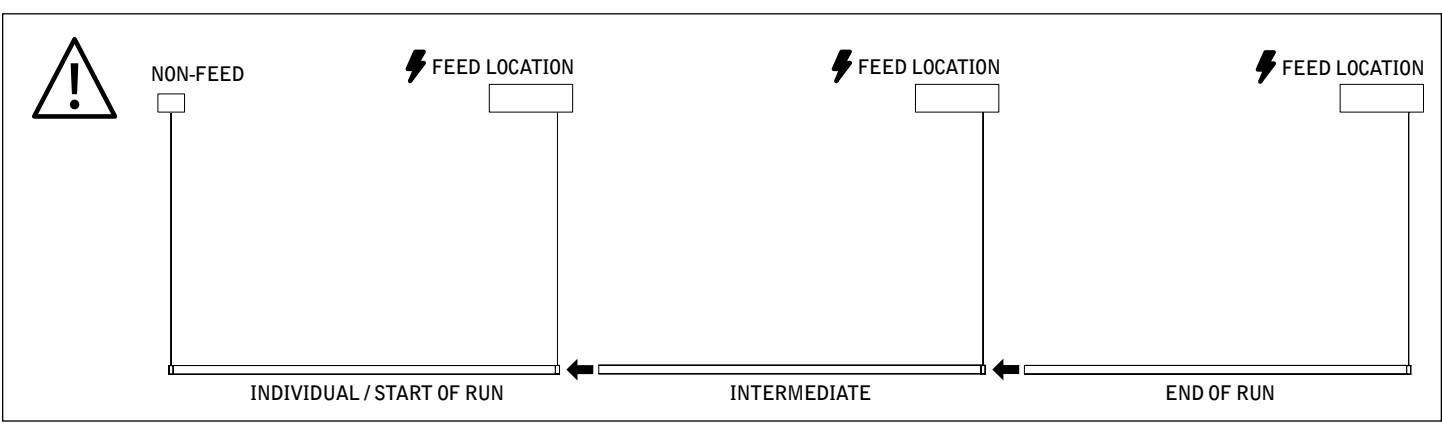
KEY

- POWER OFF
- POWER ON
- ATTENTION
- SEE ADDITIONAL INSTRUCTIONS

PARTS LISTS

- BAR HANGERS
- JOINER SCREW (70005)
- CLEAR CABLE SLEEVE (OPTIONAL) (700124)

RUN FEED LOCATIONS



Luminaires must be installed by a qualified electrician (check with local and national codes for proper installation). To prevent electrical shock, disconnect electrical supply before installation or servicing.

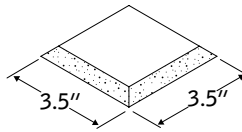
DRYWALL/HARD SURFACE INSTALLATION



DO NOT TRIM EXCESS
SUSPENSION CABLE UNTIL
LUMINAIRE IS FULLY ADJUSTED.

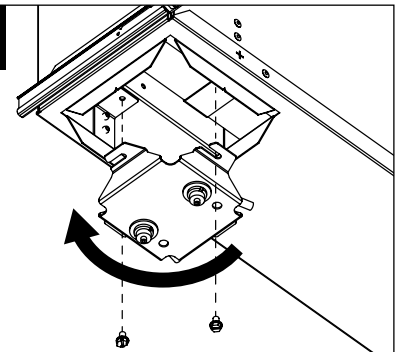
CABLES ARE NOT FIELD REPLACABLE.

1



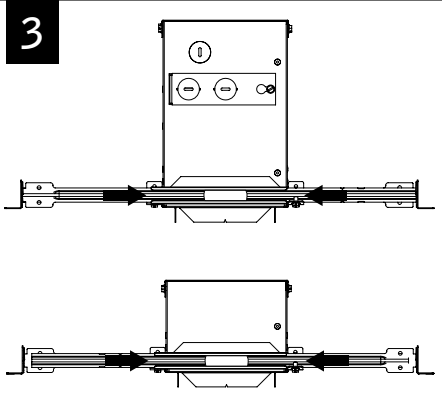
CUTOUT

2

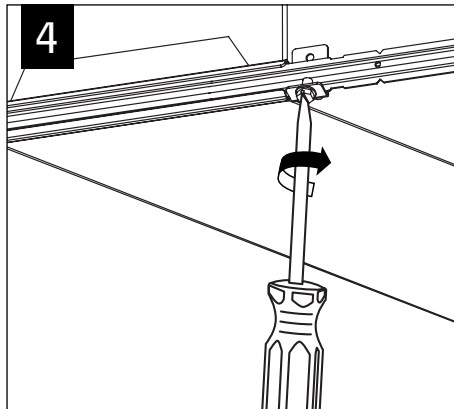


ROTATE CABLE GRIPPER CARRIAGE IF NECESSARY

3

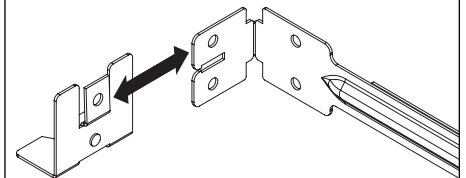


4



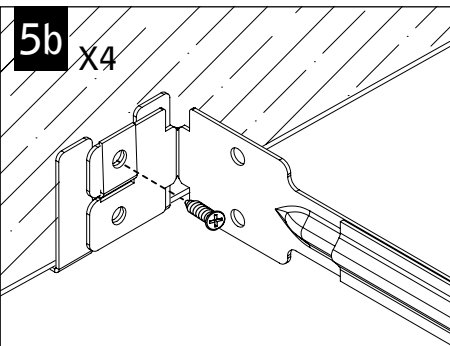
WOOD STUDS

5a X4



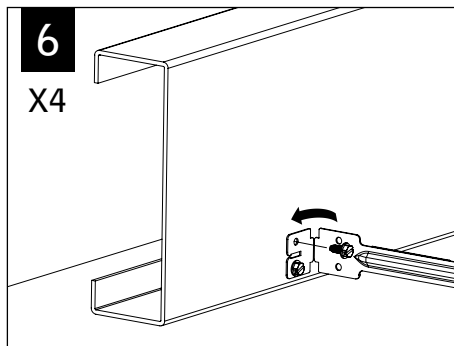
WOOD STUDS

5b X4

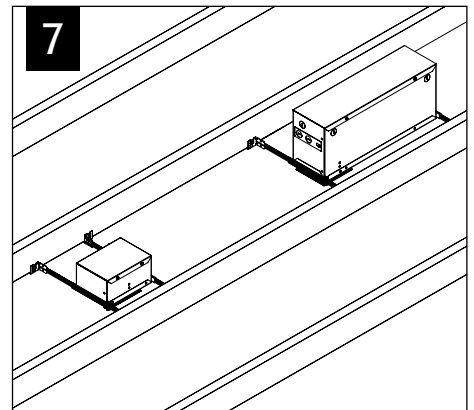


METAL STUDS

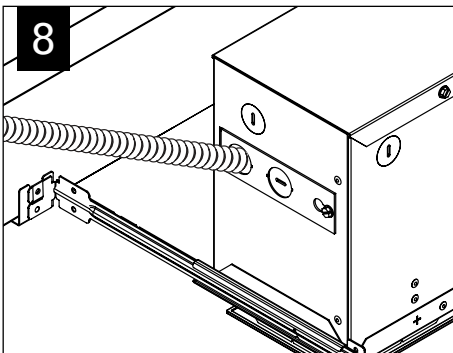
6 X4



7

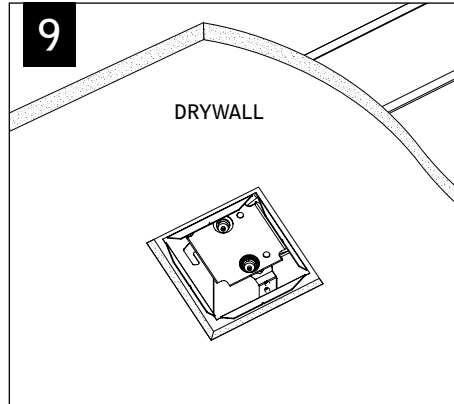


8



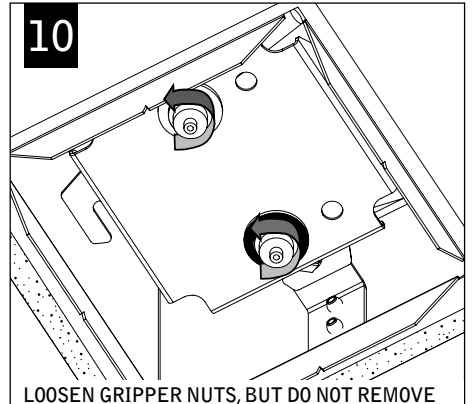
MAKE ELECTRICAL CONNECTIONS

9



DRYWALL

10

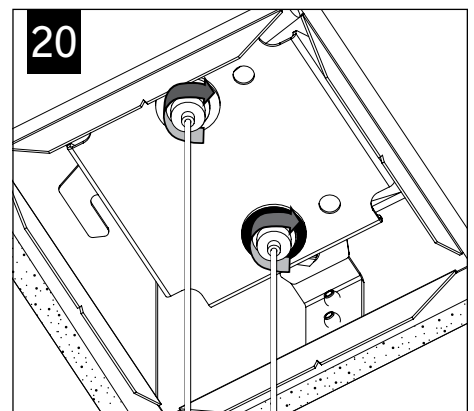
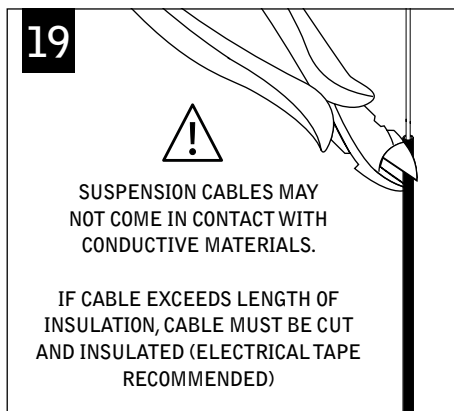
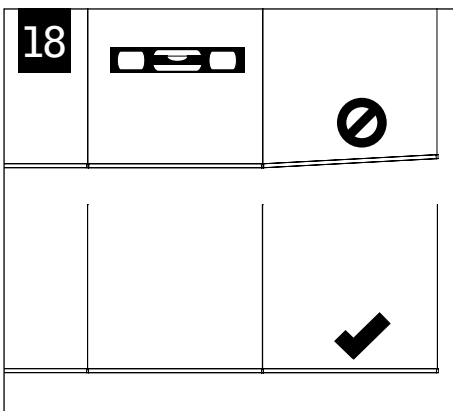
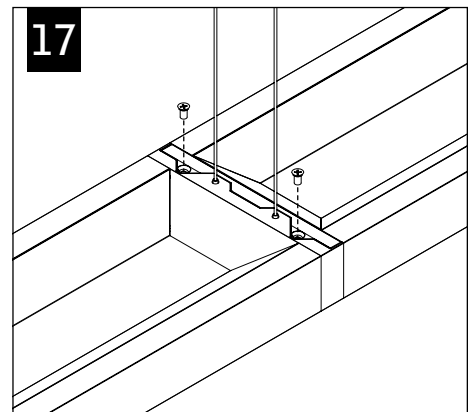
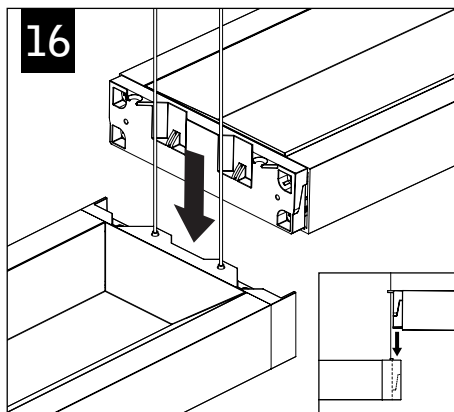
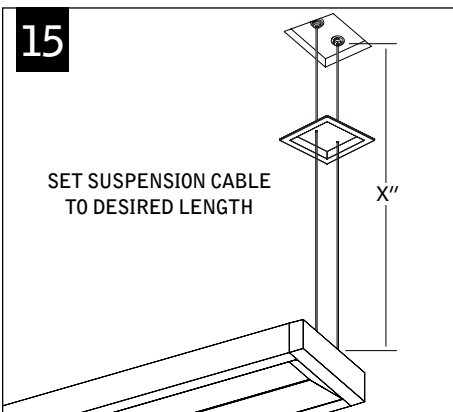
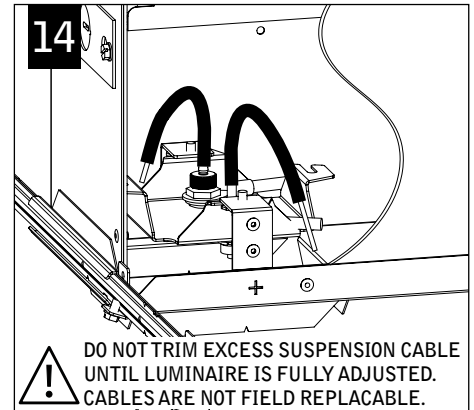
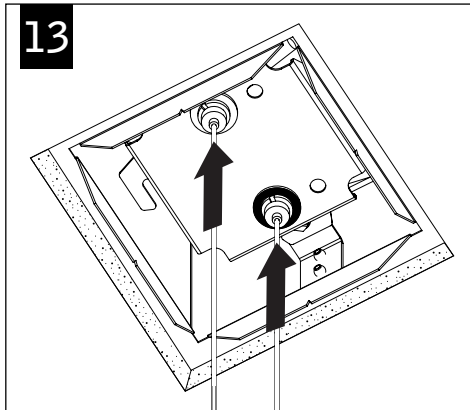
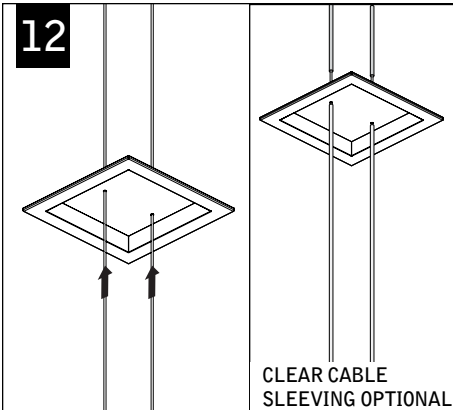
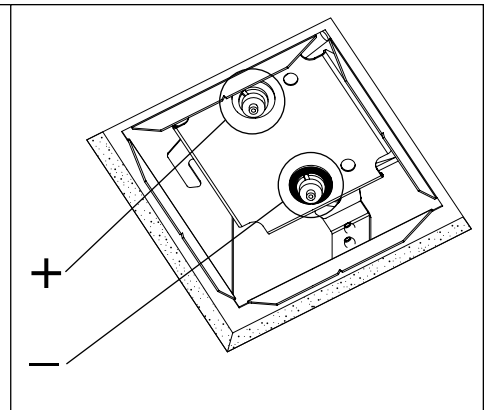
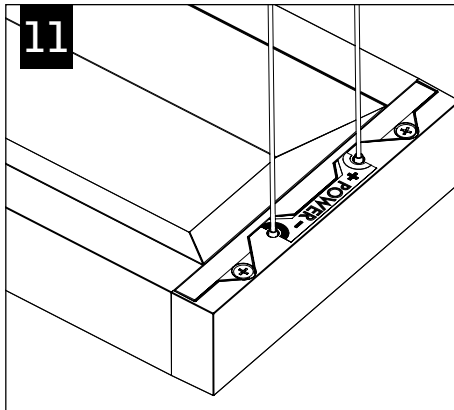


LOOSEN GRIPPER NUTS, BUT DO NOT REMOVE

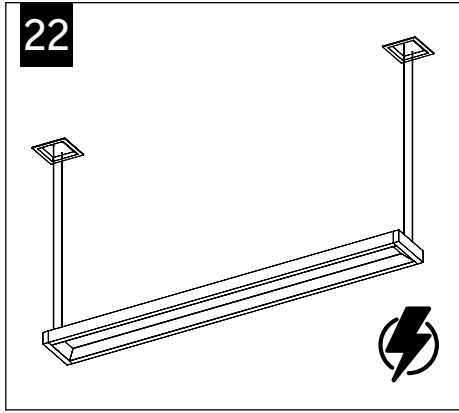
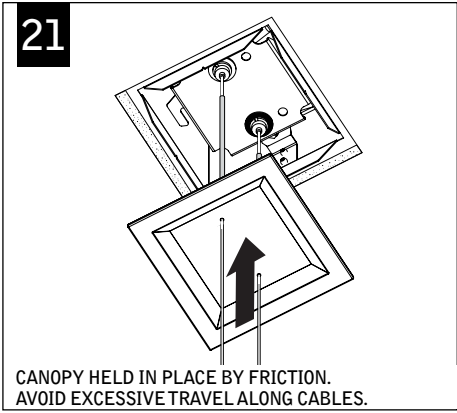
Luminaires must be installed by a qualified electrician (check with local and national codes for proper installation).
To prevent electrical shock, disconnect electrical supply before installation or servicing.



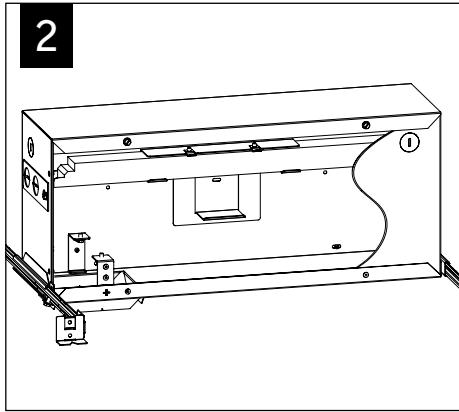
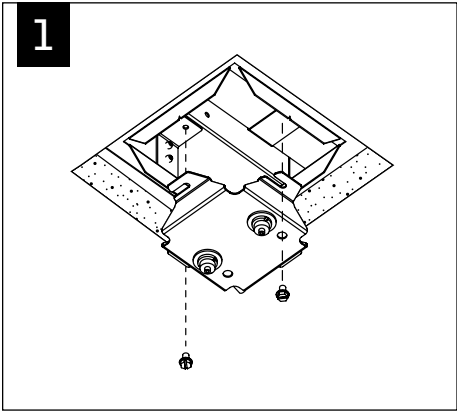
MATCH POLARITY OF LOW VOLTAGE CABLES ON LUMINAIRE WITH POSITIVE AND NEGATIVE TERMINALS ON POWERED FEED AS INDICATED



Luminaires must be installed by a qualified electrician (check with local and national codes for proper installation). To prevent electrical shock, disconnect electrical supply before installation or servicing.



DRIVER SERVICE



Luminaires must be installed by a qualified electrician (check with local and national codes for proper installation).
To prevent electrical shock, disconnect electrical supply before installation or servicing.