

## BEFORE YOU BEGIN

- Luminaires must be installed by a qualified electrician (check with local and national codes for proper installation).
- To prevent electrical shock, disconnect electrical supply before installation or servicing.
- Contractor is responsible for adequately reinforcing walls and/or ceilings to support fixture weight.
- Focal Point, LLC accepts no responsibility for inadequately reinforced walls and/or ceilings.
- The information contained in this drawing is the sole property of Focal Point, LLC. Any reproduction in part or whole without the written permission of Focal Point, LLC is prohibited.

## INSTRUCTION KEY

- ATTENTION
- SEE ADDITIONAL INSTRUCTIONS
- POWER OFF
- POWER ON

## COMPONENT KEY

**FOCAL POINT**

**U - Individual**

**S - Start of run**

**I - Intermediate**

**E - End of run**

**Feed Location**  
L x W x H  
35.34" x 4.26" x 3.83"

**Emergency**  
L x W x H  
35.34" x 5.57" x 3.83"

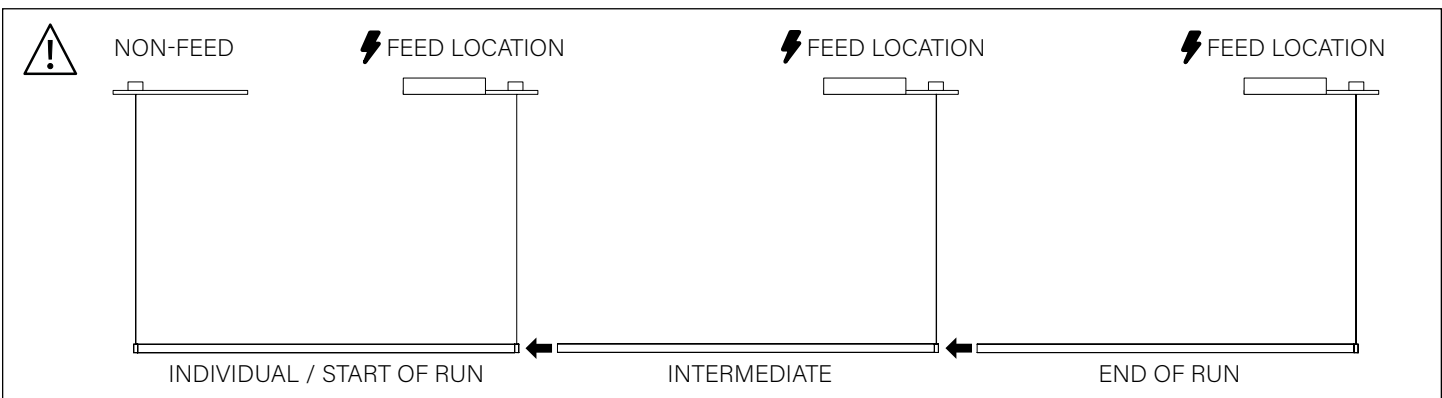
**Non-Feed**  
L x W x H  
27.68" x 4.22" x 2.79"

**Canopy**  
L x W  
4.00" x 2.00"

**PARTS LIST**

- Joiner Screw (70005)
- Cable Sleeve (700122)
- Clear Cable Sleeve (optional) (700124)
- O-Rings (2 per canopy) (700153)

## RUN FEED LOCATIONS

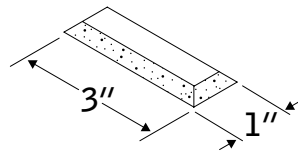




**DO NOT TRIM EXCESS  
SUSPENSION CABLE UNTIL  
LUMINAIRE IS FULLY ADJUSTED.**

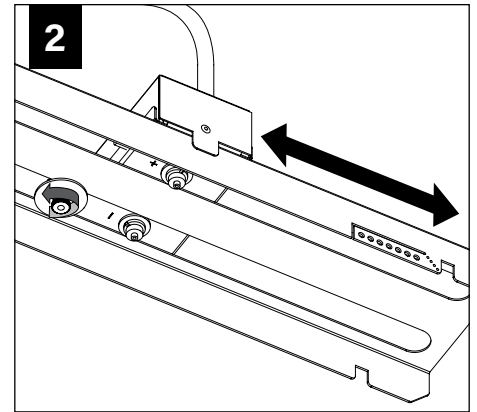
**CABLES ARE NOT  
FIELD REPLACABLE.**

**1**

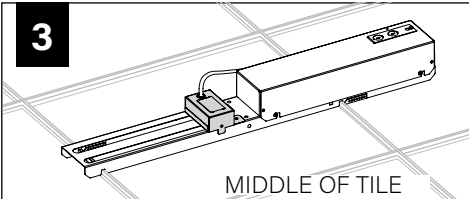


CUTOUT

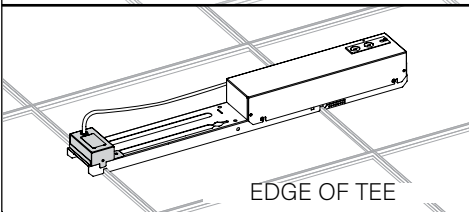
**2**



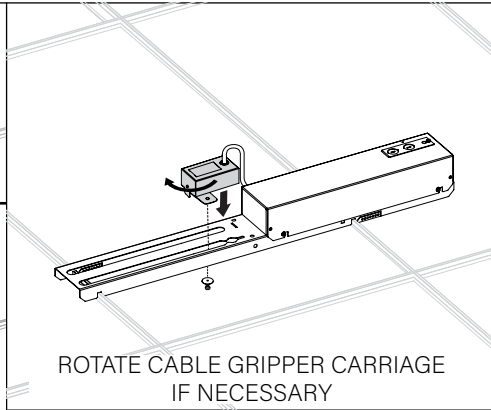
**3**



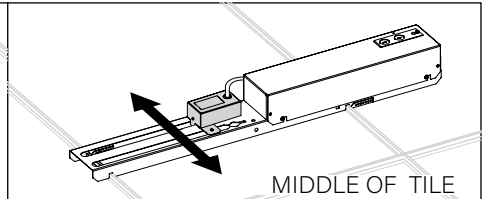
MIDDLE OF TILE



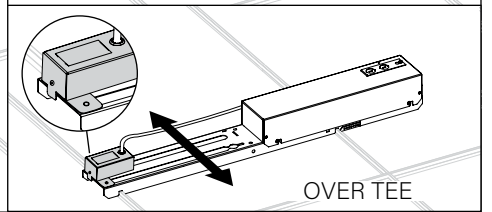
EDGE OF TEE



ROTATE CABLE GRIPPER CARRIAGE  
IF NECESSARY

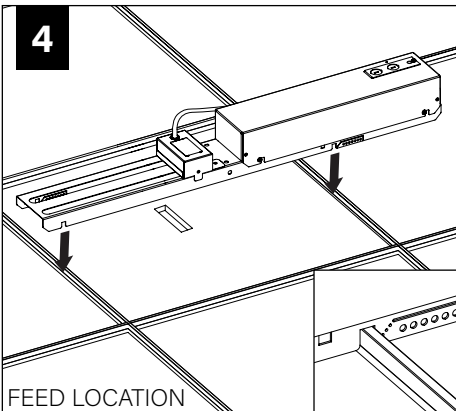


MIDDLE OF TILE



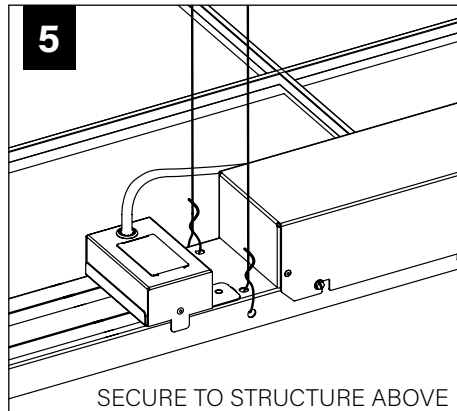
OVER TEE

**4**



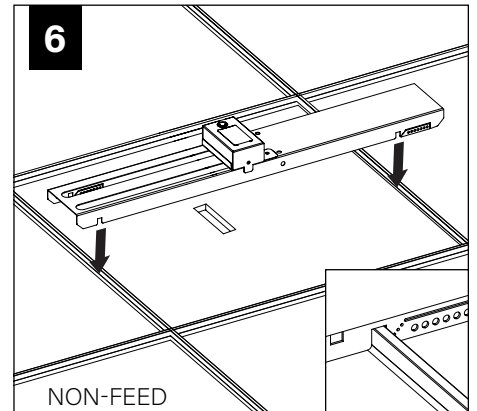
FEED LOCATION

**5**



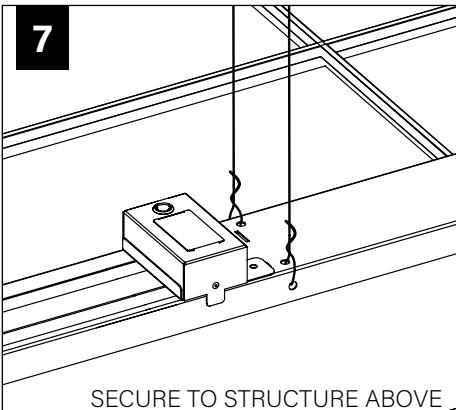
SECURE TO STRUCTURE ABOVE

**6**



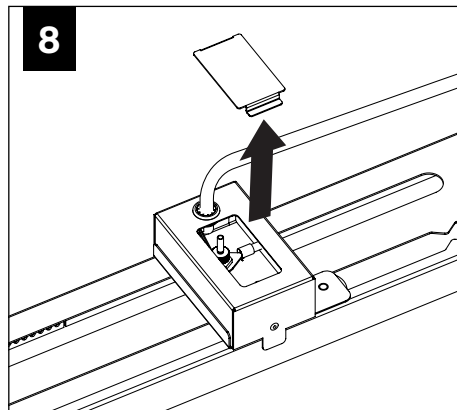
NON-FEED

**7**

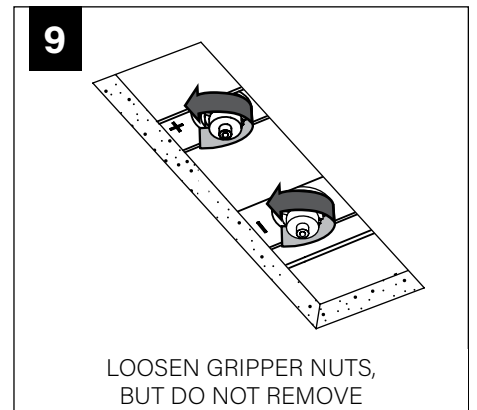


SECURE TO STRUCTURE ABOVE

**8**



**9**

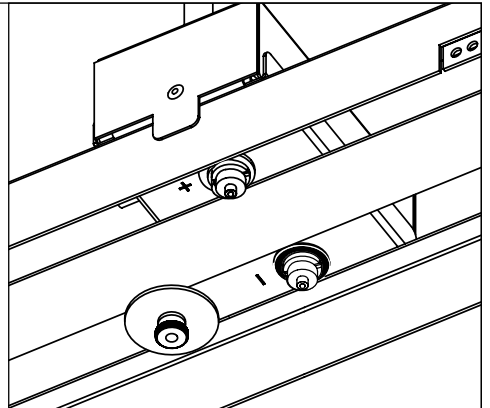
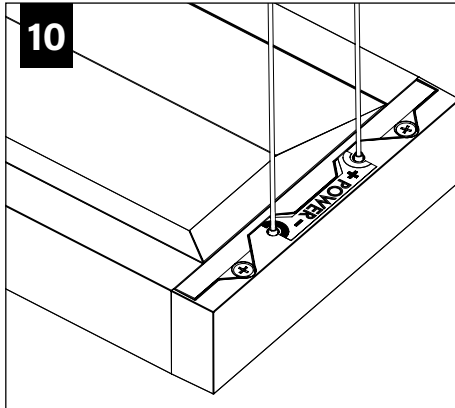


LOOSEN GRIPPER NUTS,  
BUT DO NOT REMOVE

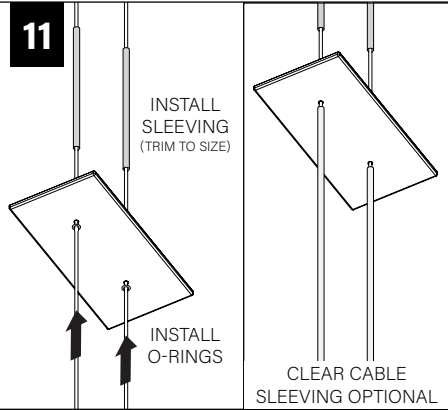


**MATCH POLARITY OF LOW VOLTAGE CABLES ON LUMINAIRE WITH POSITIVE AND NEGATIVE TERMINALS ON POWERED FEED AS INDICATED**

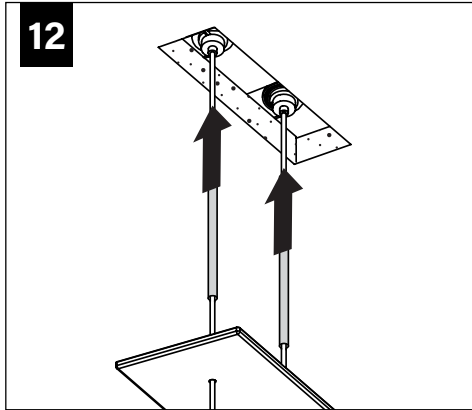
**10**



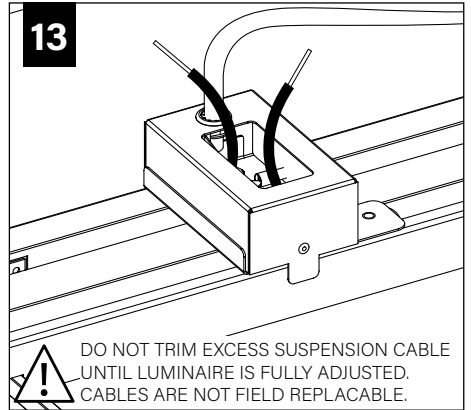
**11**



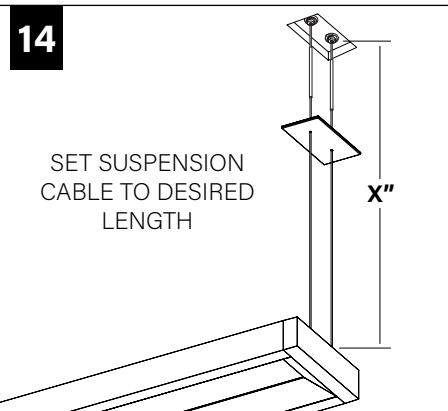
**12**



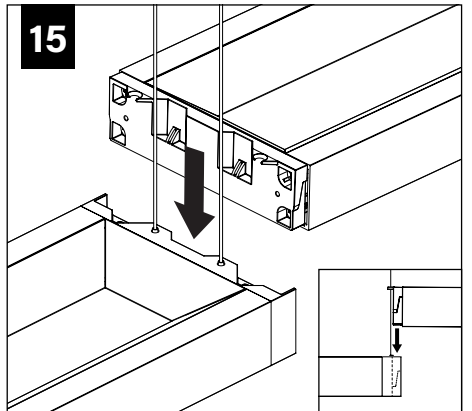
**13**



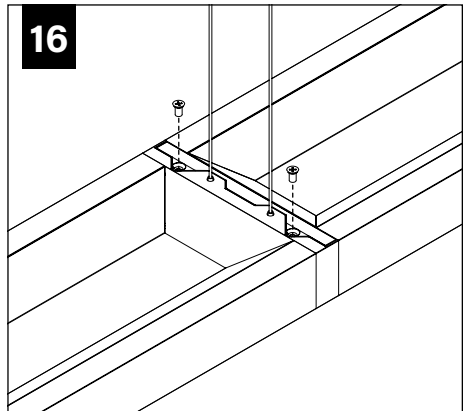
**14**



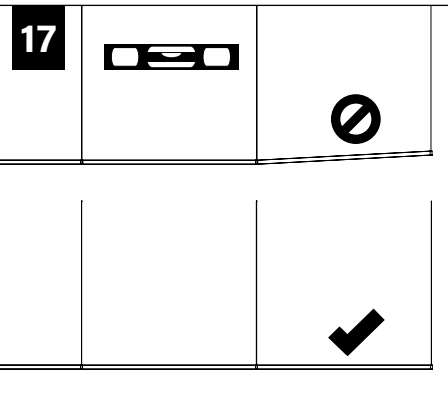
**15**



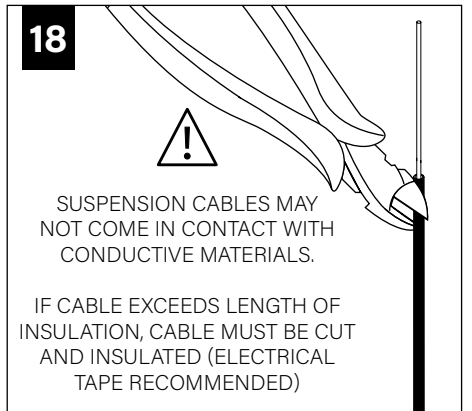
**16**



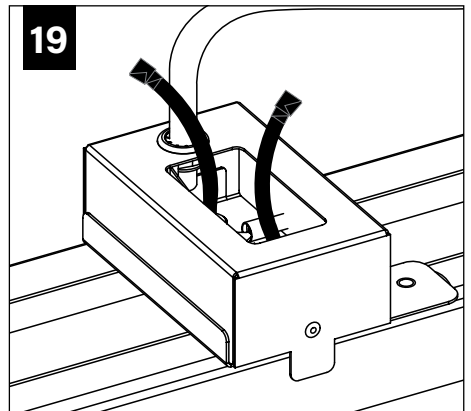
**17**

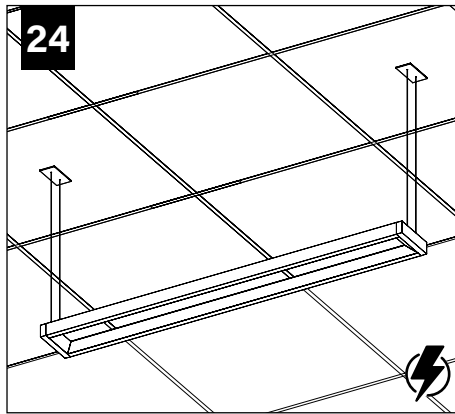
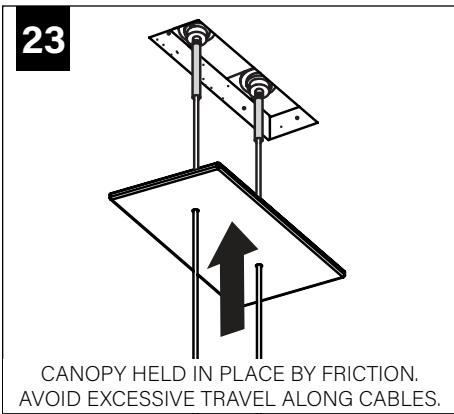
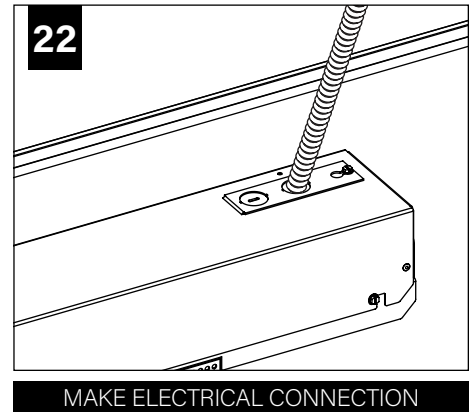
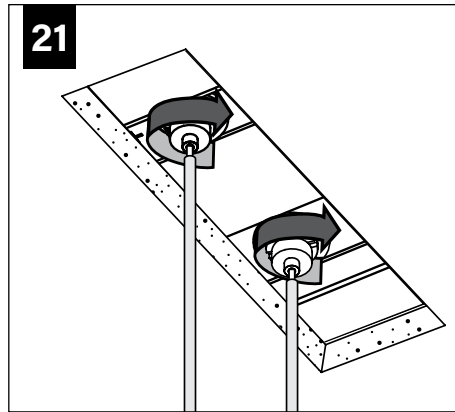
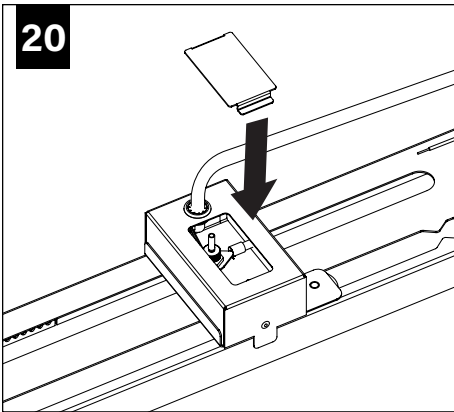


**18**

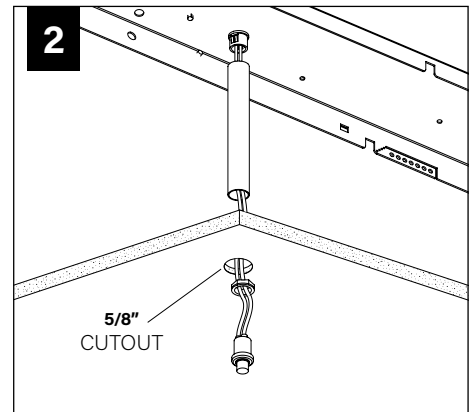
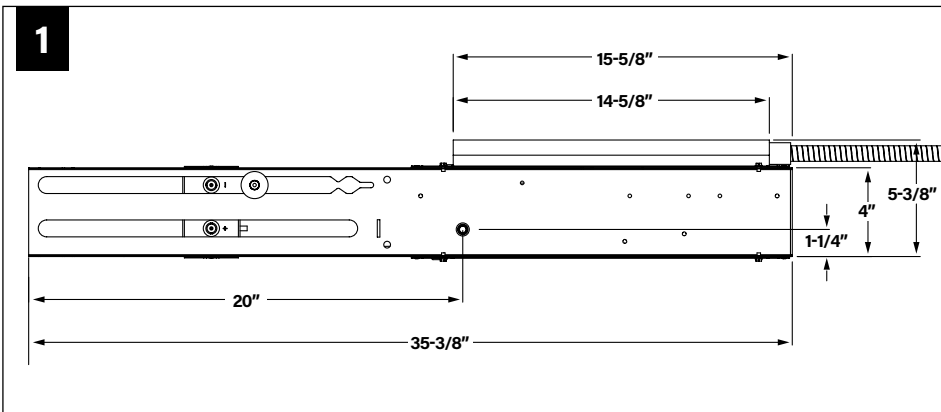


**19**





**EMERGENCY**



**3**

**I**

SEE BATTERY  
MANUFACTURER  
INSTRUCTIONS

**!**

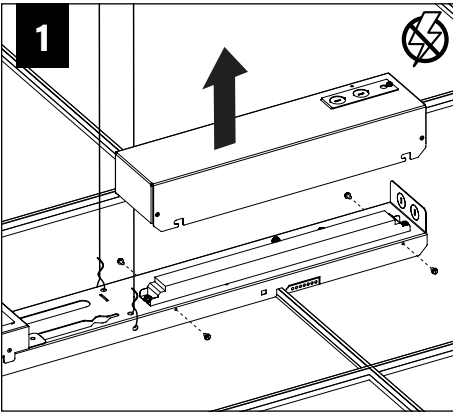
**DO NOT MATE CONNECTOR  
UNTIL INSTALLATION  
IS COMPLETE AND  
A.C. POWER IS SUPPLIED**

**4**

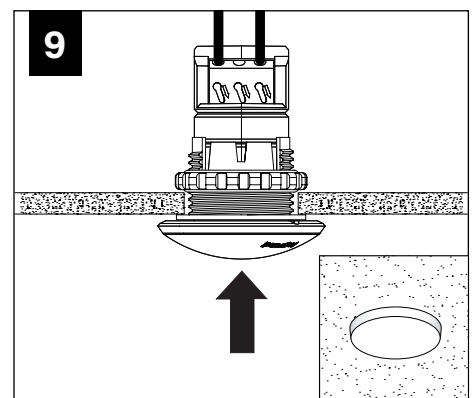
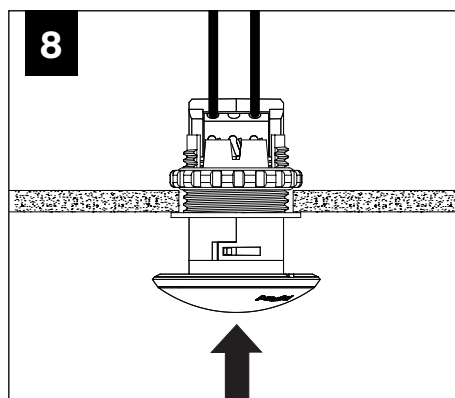
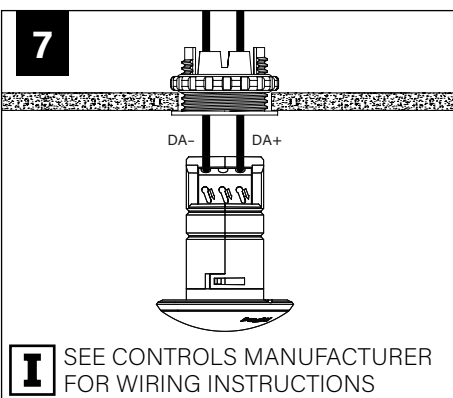
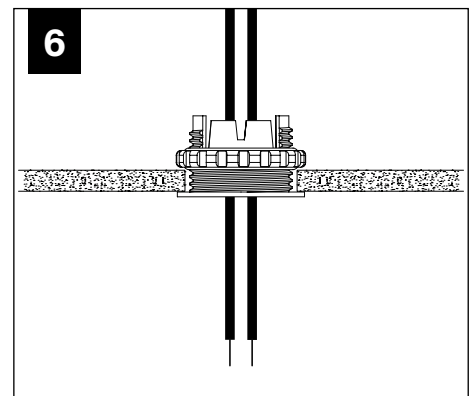
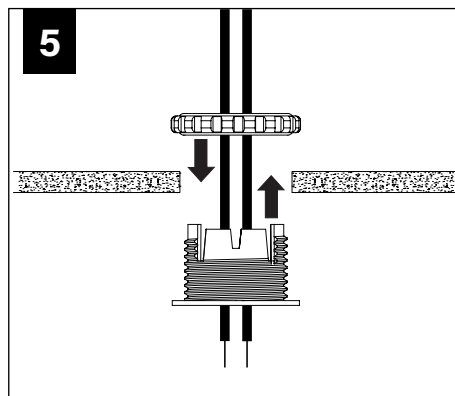
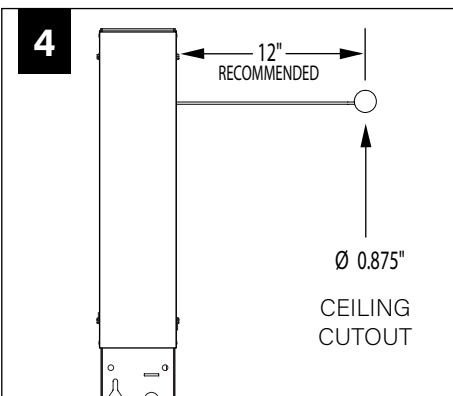
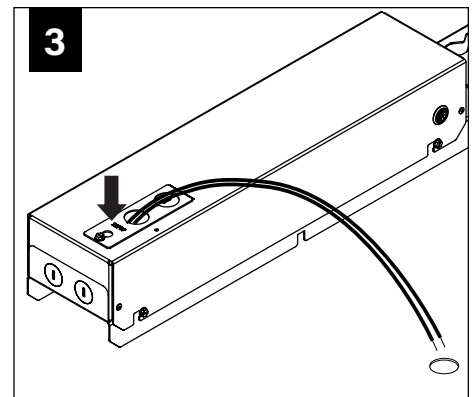
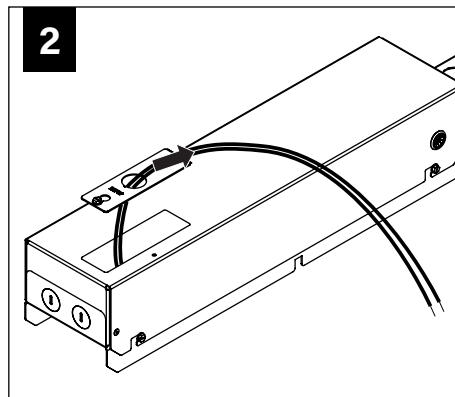
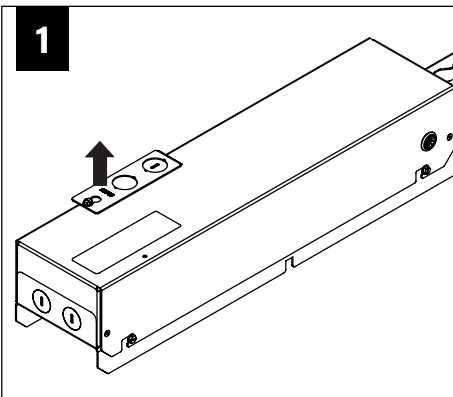
**I**

**EMERGENCY MAXIMUM  
MOUNTING HEIGHT: 15'**

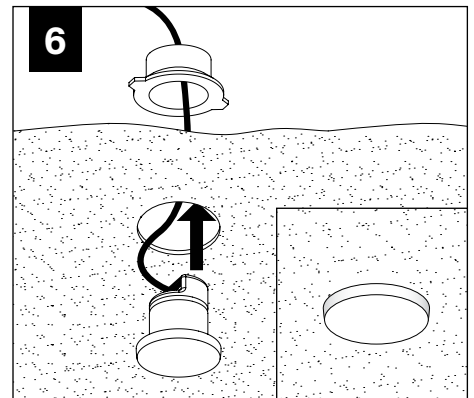
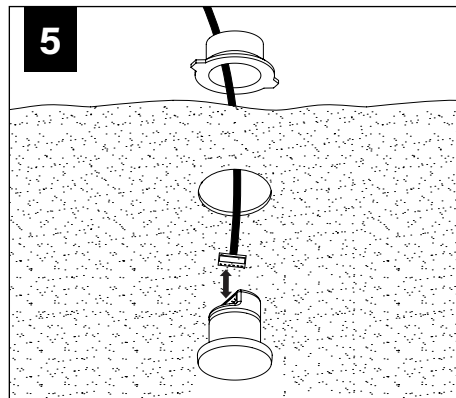
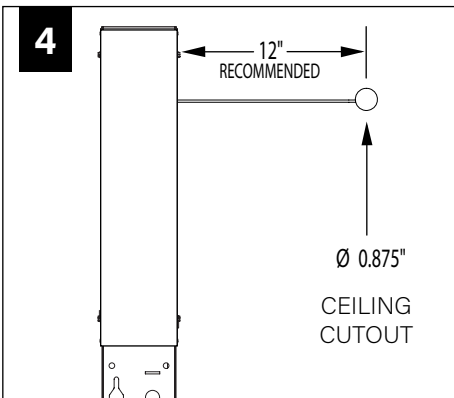
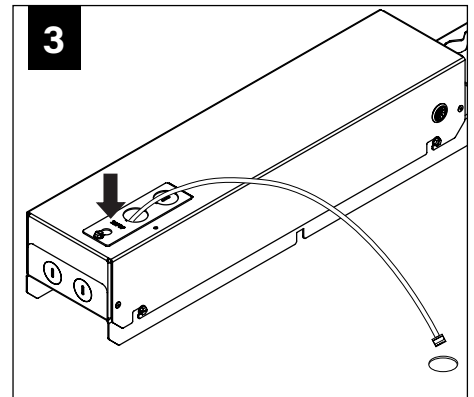
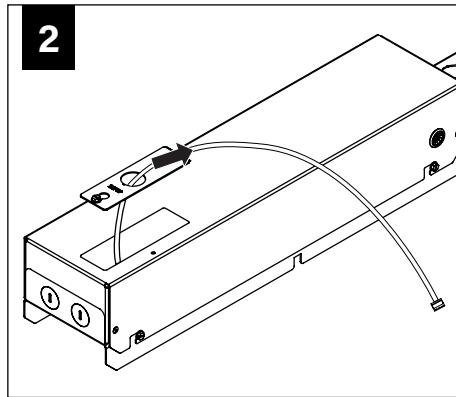
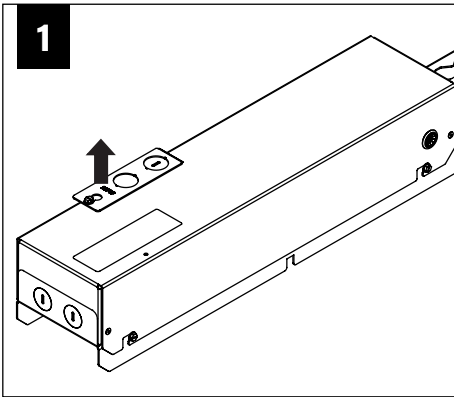
## DRIVER SERVICE



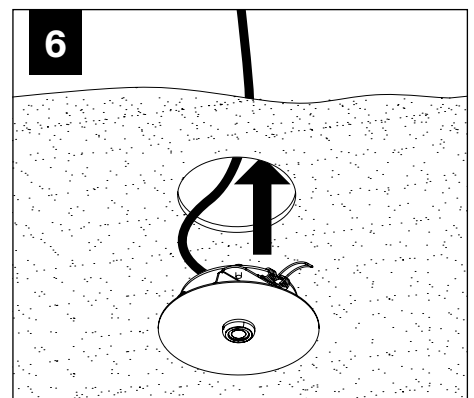
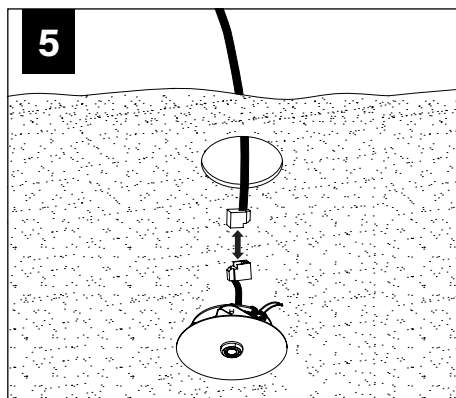
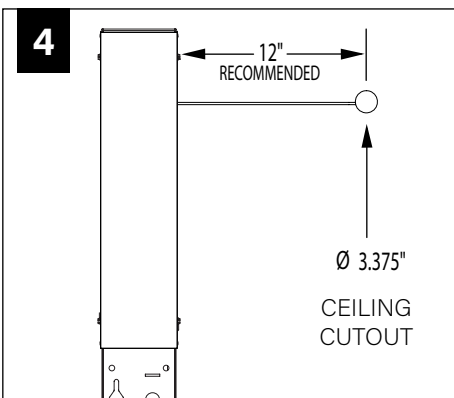
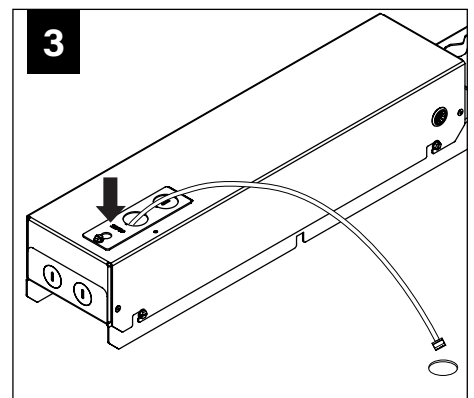
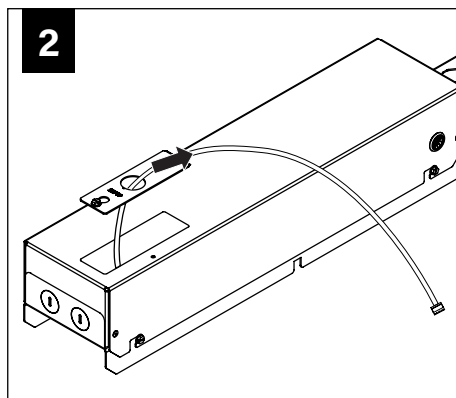
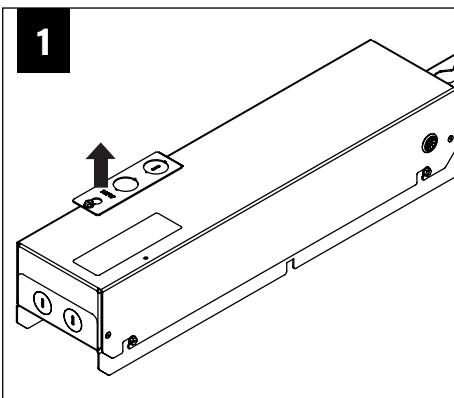
## WATTSTOPPER



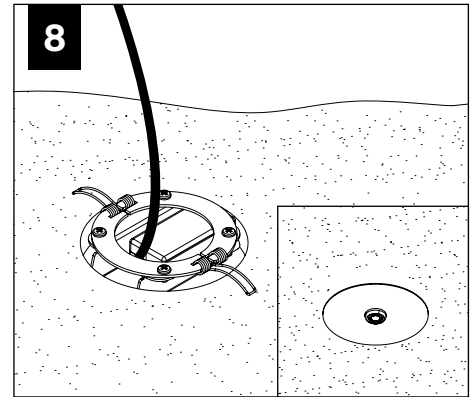
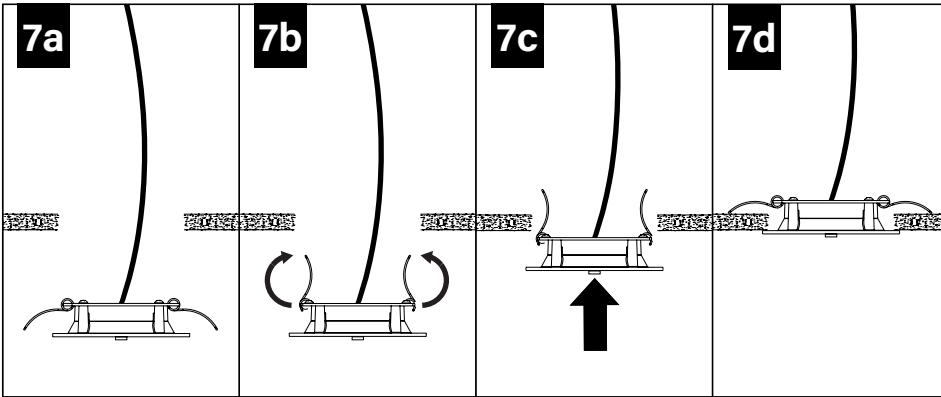
**ENLIGHTED**



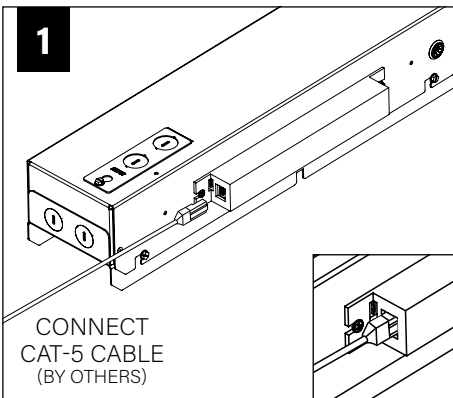
**WAVELINX**



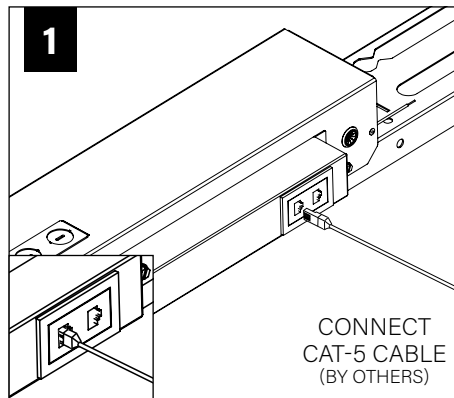
**WAVELINX**



**ACUITY nLIGHT**



**WATTSTOPPER**



**HUBBELL NX**

