

Nera™ pendant open ceiling

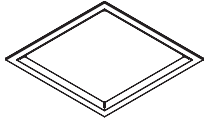
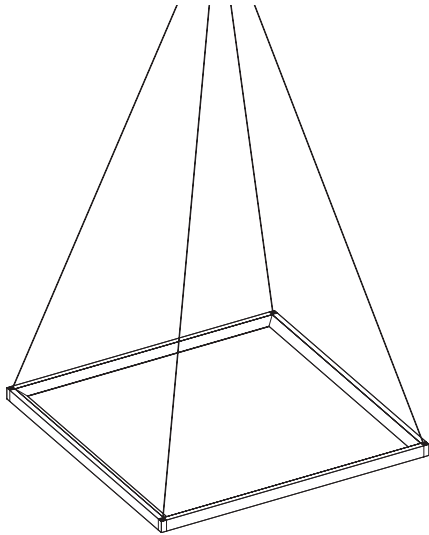
FNRP-0C



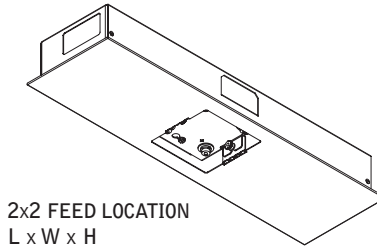
FOCAL POINT®

! DO NOT POWER LUMINAIRE UNTIL INSTALLATION IS COMPLETE. SUSPENSION CABLES ARE POWERED. DO NOT ALLOW CABLES TO COME IN CONTACT WITH CONDUCTIVE MATERIALS. !

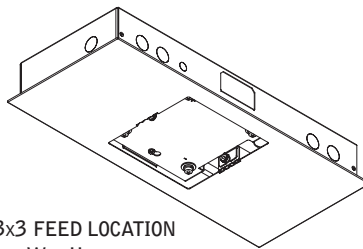
FOCAL POINT



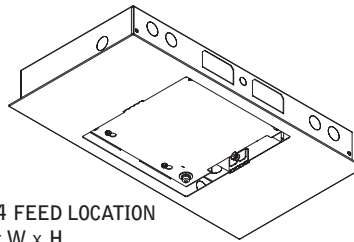
CANOPY



2x2 FEED LOCATION
L x W x H
18.80" x 5.50" x 2.48"



3x3 FEED LOCATION
L x W x H
18.80" x 8.14" x 2.48"



4x4 FEED LOCATION
L x W x H
18.80" x 10.00" x 2.48"

KEY



POWER OFF



POWER ON



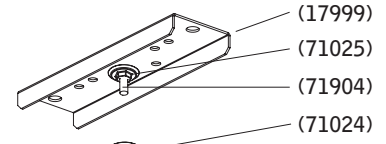
ATTENTION



SEE ADDITIONAL INSTRUCTIONS

PARTS LISTS

MOUNTING BRACKET ASSEMBLY



(17999)

(71025)

(71904)

(71024)



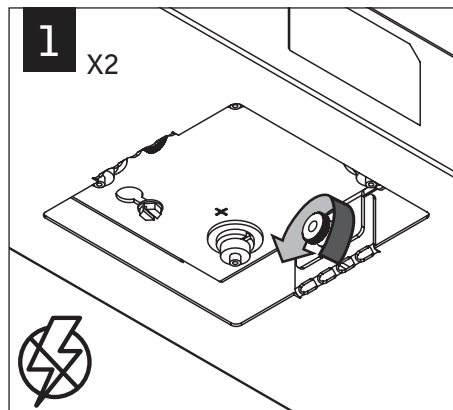
CLEAR CABLE SLEEVE
(OPTIONAL)
(700124)

OPEN CEILING INSTALLATION

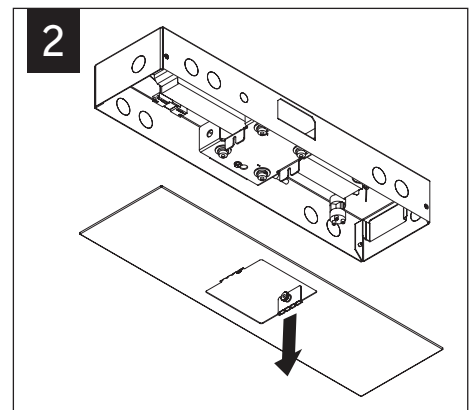


DO NOT TRIM EXCESS
SUSPENSION CABLE UNTIL
LUMINAIRE IS FULLY ADJUSTED.

CABLES ARE NOT FIELD REPLACABLE.



1 X2



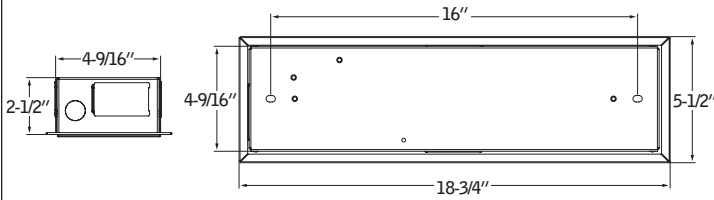
2

Luminaires must be installed by a qualified electrician (check with local and national codes for proper installation).
To prevent electrical shock, disconnect electrical supply before installation or servicing.

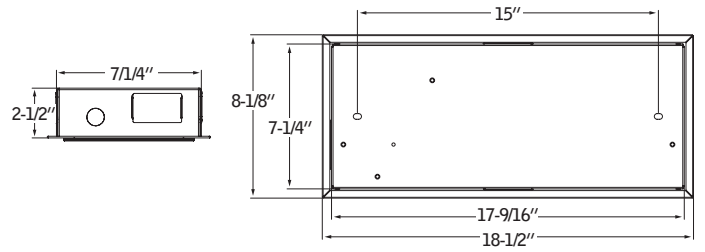
SURFACE MOUNT

3

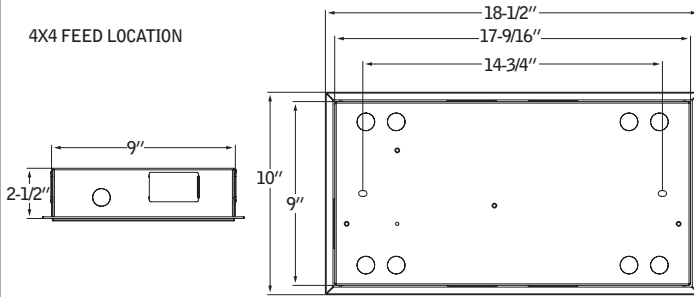
2X2 FEED LOCATION



3X3 FEED LOCATION



4X4 FEED LOCATION

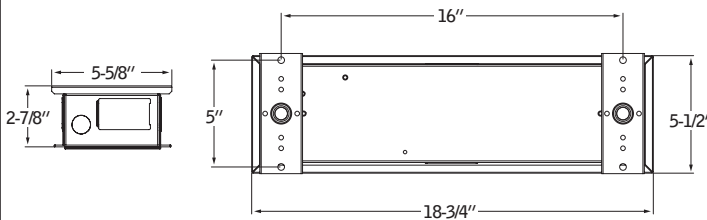


SECURE FEED LOCATION BOX TO STRUCTURE ABOVE.
MOUNTING HARDWARE BY OTHERS

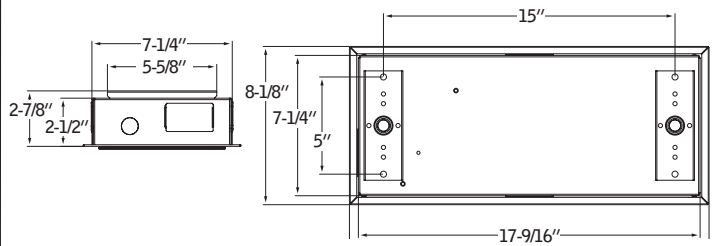
ACCESSIBLE CEILING

3a

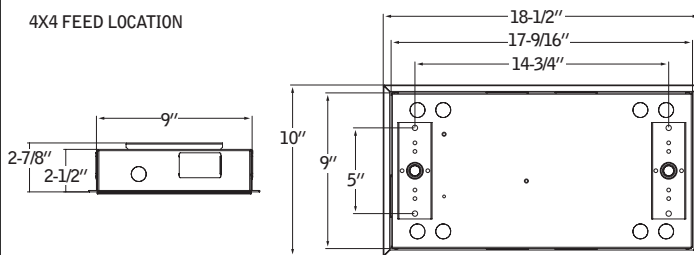
2X2 FEED LOCATION



3X3 FEED LOCATION

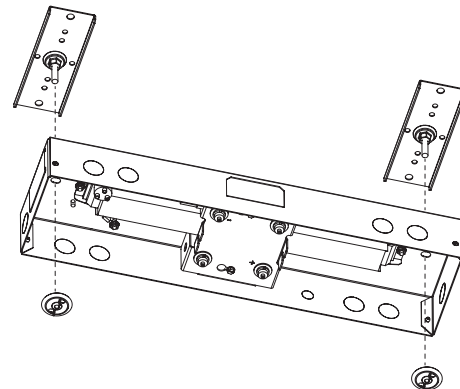


4X4 FEED LOCATION

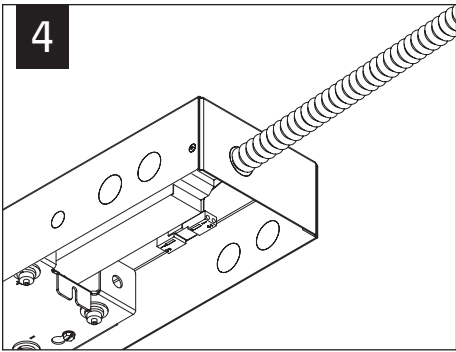


SECURE FEED LOCATION BOX TO STRUCTURE ABOVE.
MOUNTING HARDWARE BY OTHERS

3b

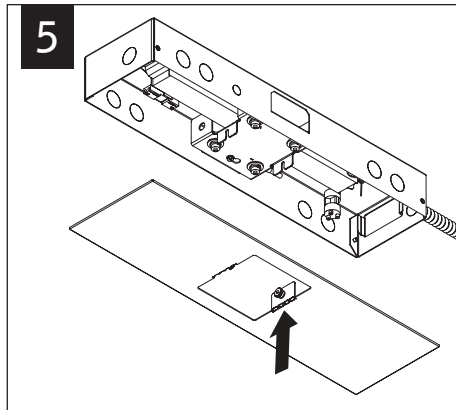


Luminaires must be installed by a qualified electrician (check with local and national codes for proper installation).
To prevent electrical shock, disconnect electrical supply before installation or servicing.

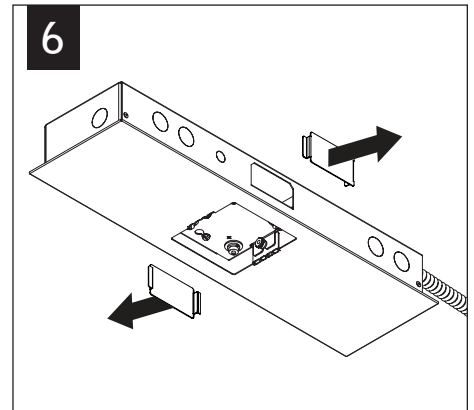


4

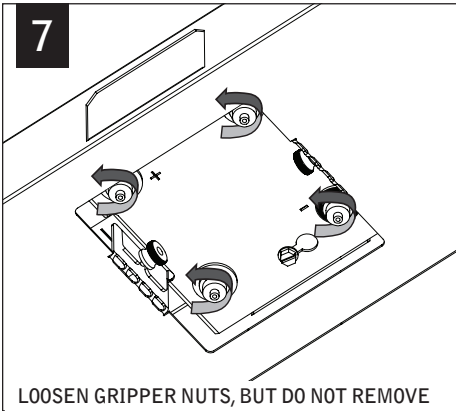
MAKE ELECTRICAL CONNECTIONS



5

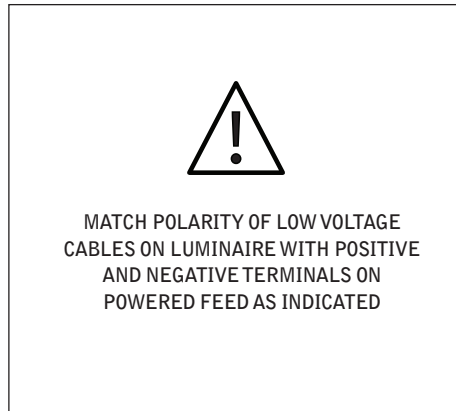


6

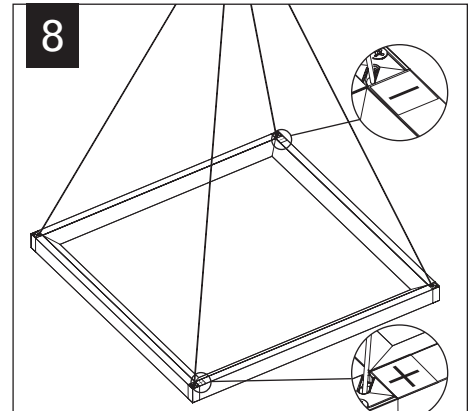


7

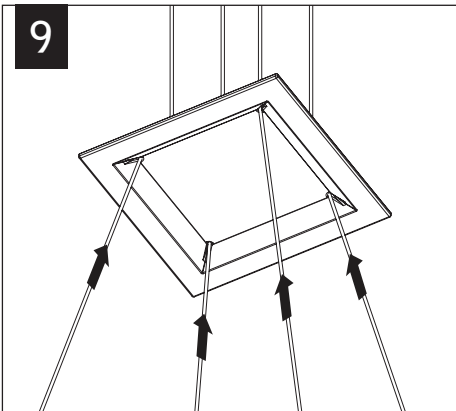
LOOSEN GRIPPER NUTS, BUT DO NOT REMOVE



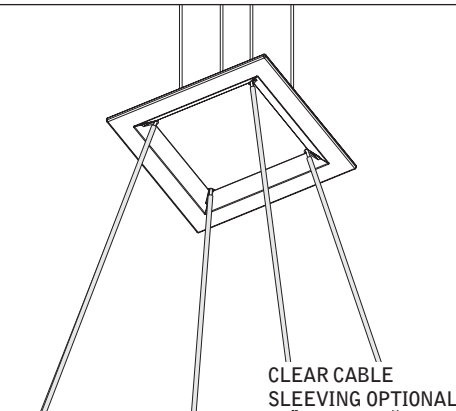
MATCH POLARITY OF LOW VOLTAGE CABLES ON LUMINAIRE WITH POSITIVE AND NEGATIVE TERMINALS ON POWERED FEED AS INDICATED



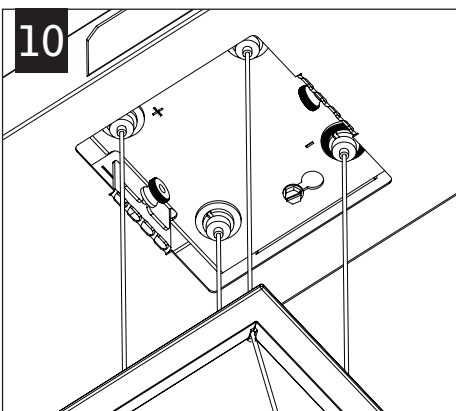
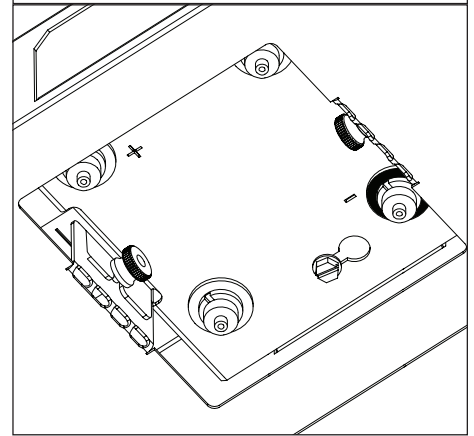
8



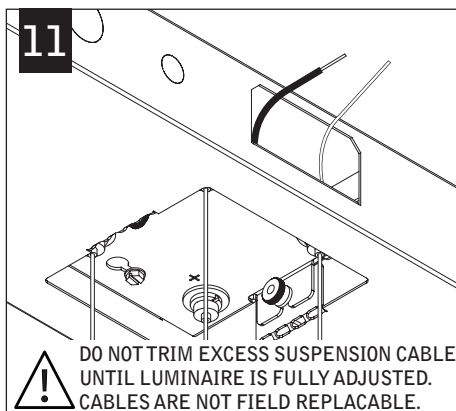
9



CLEAR CABLE SLEEVING OPTIONAL

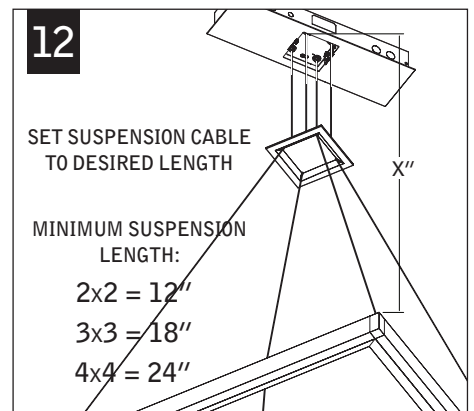


10



11

DO NOT TRIM EXCESS SUSPENSION CABLE UNTIL LUMINAIRE IS FULLY ADJUSTED. CABLES ARE NOT FIELD REPLACABLE.



12

SET SUSPENSION CABLE TO DESIRED LENGTH

MINIMUM SUSPENSION LENGTH:

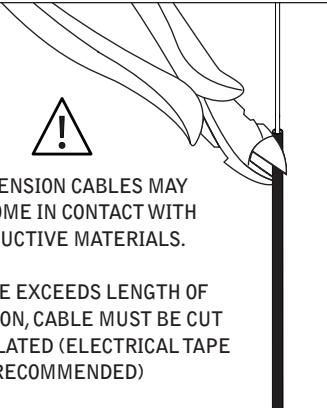
2x2 = 12"

3x3 = 18"

4x4 = 24"

Luminaires must be installed by a qualified electrician (check with local and national codes for proper installation). To prevent electrical shock, disconnect electrical supply before installation or servicing.

13

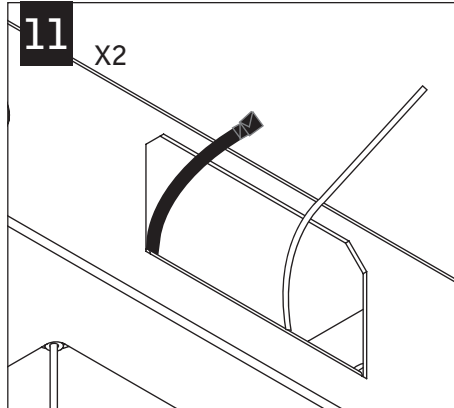


!

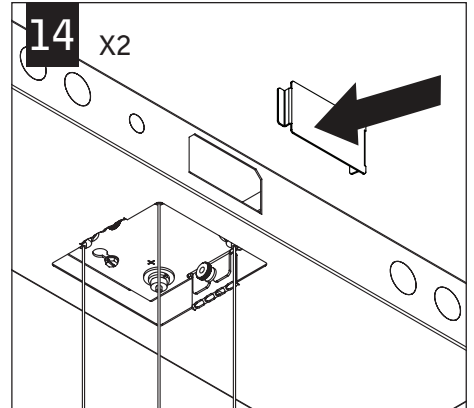
SUSPENSION CABLES MAY NOT COME IN CONTACT WITH CONDUCTIVE MATERIALS.

IF CABLE EXCEEDS LENGTH OF INSULATION, CABLE MUST BE CUT AND INSULATED (ELECTRICAL TAPE RECOMMENDED)

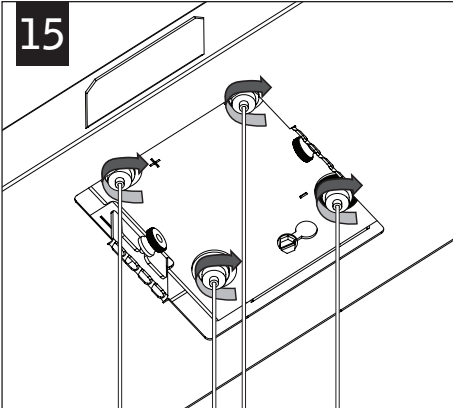
11 X2



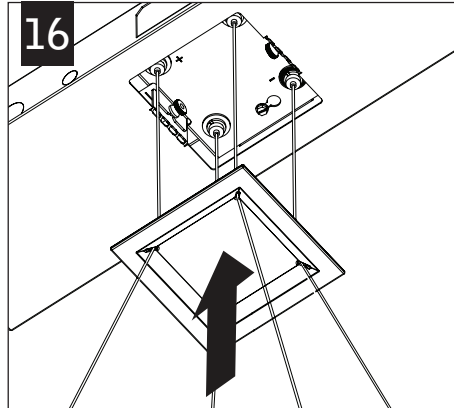
14 X2



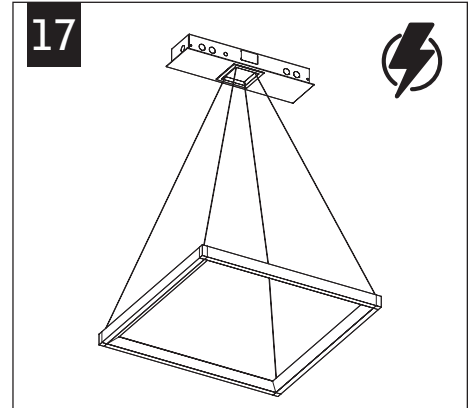
15



16

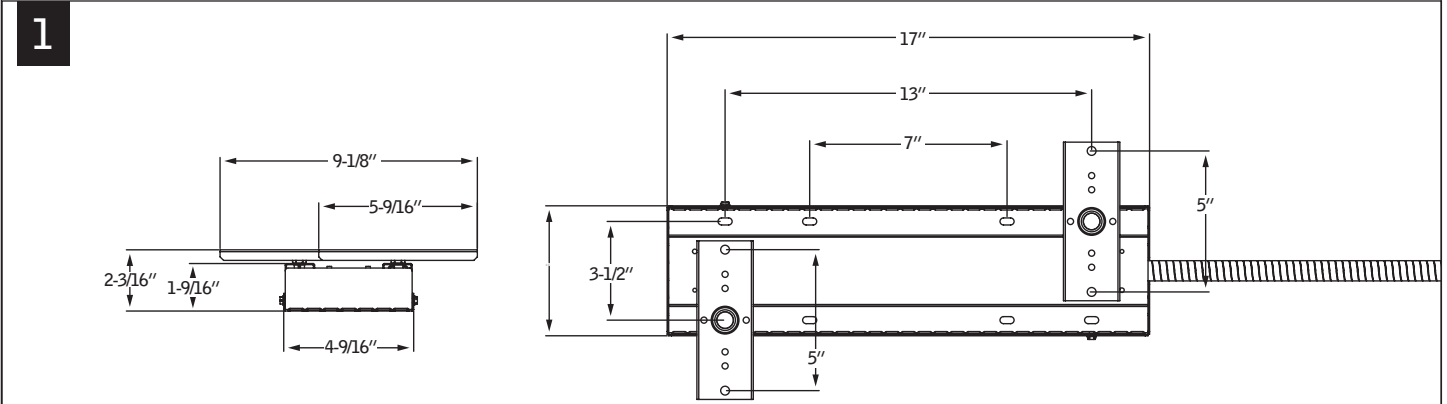


17



EMERGENCY - ACCESSIBLE CEILING

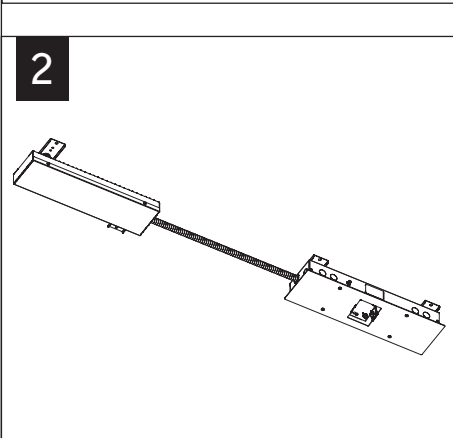
1



Dimensions shown:

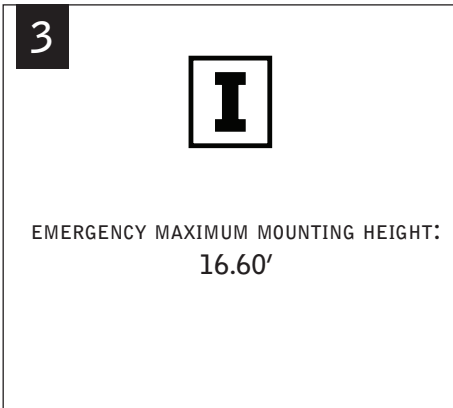
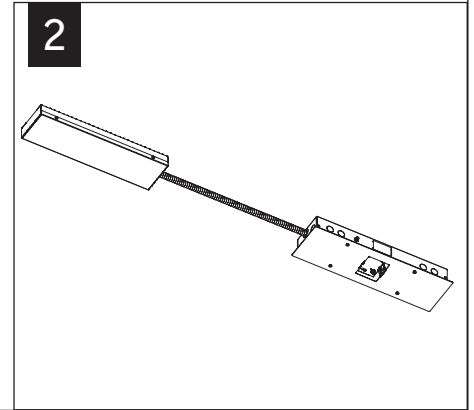
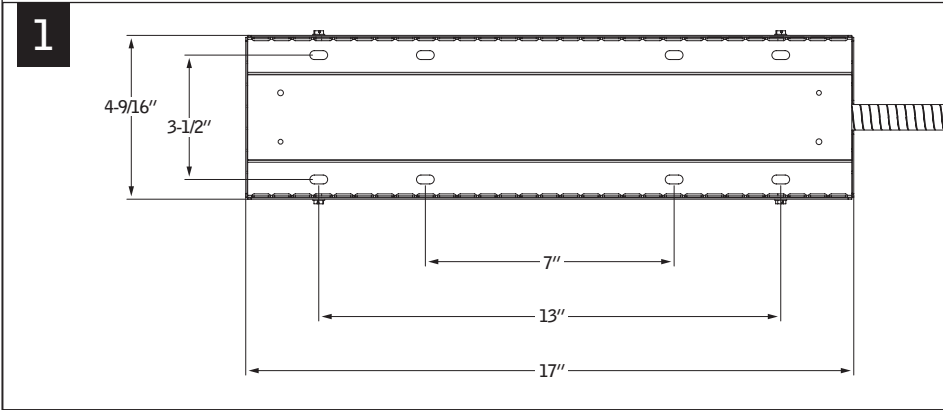
- 9-1/8"
- 5-9/16"
- 2-3/16"
- 1-9/16"
- 4-9/16"
- 17"
- 13"
- 7"
- 3-1/2"
- 5"
- 5"

2

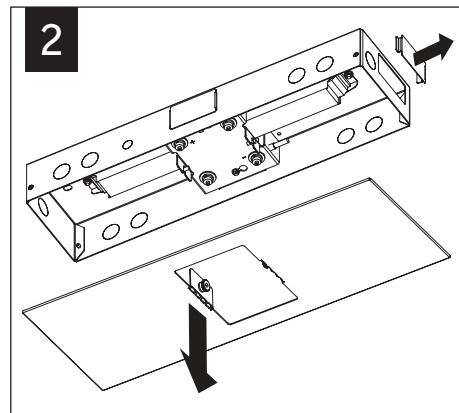
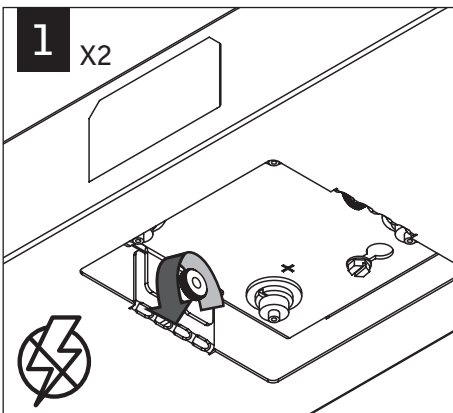


Luminaires must be installed by a qualified electrician (check with local and national codes for proper installation).
To prevent electrical shock, disconnect electrical supply before installation or servicing.

EMERGENCY - SURFACE MOUNT



DRIVER SERVICE



Contractor is responsible for adequately reinforcing walls and/or ceilings to support luminaire weight. Focal Point, LLC accepts no responsibility for inadequately reinforced walls and/or ceilings. The information contained in this drawing is the sole property of Focal Point, LLC. Any reproduction in part or whole without the written permission of Focal Point, LLC is prohibited.