

# ID+ 3.5" Pure Cylinder

LED PENDANT WALL WASH



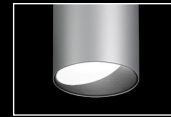
FOCAL POINT®



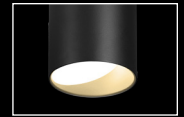
The Naturals collection - Chestnut shown



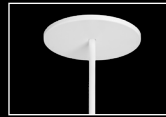
White



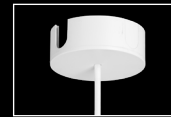
Palladium Silver



Black



Shallow Canopy



Decorative Shallow Canopy



Power Canopy



Decorative Power Canopy

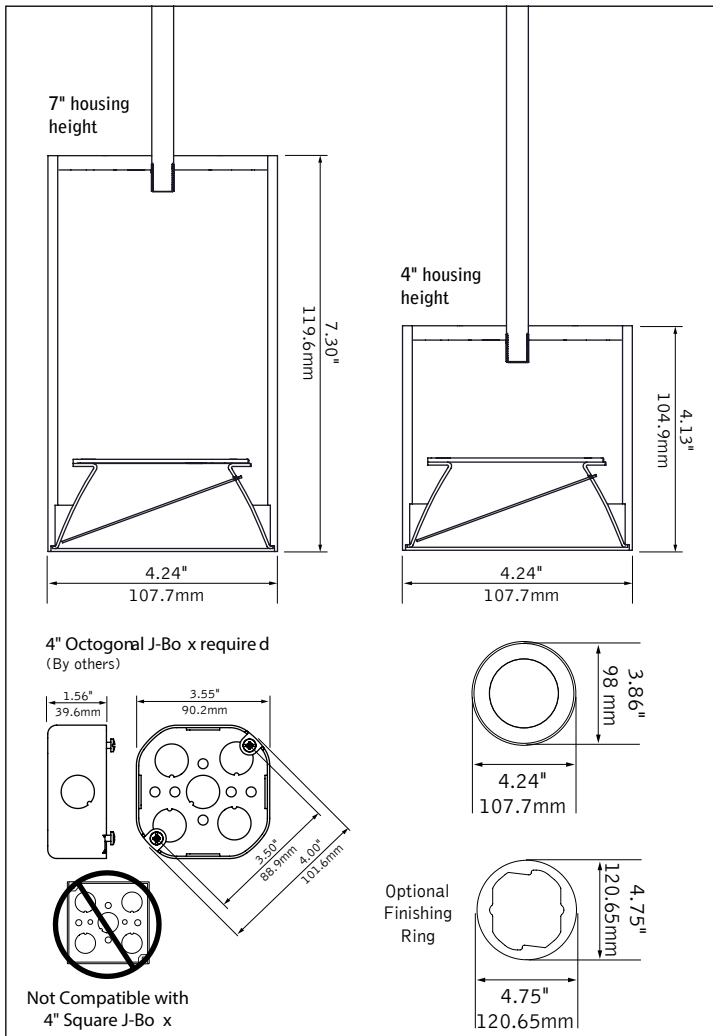


Mini Power Canopy



Downlight Cylinder Companion

## DIMENSIONAL DATA



## FEATURES

3.5" solid body cylinder wall wash pendant available in 4" or 7" housing heights.

50° and 60° cut-off reflector options available.

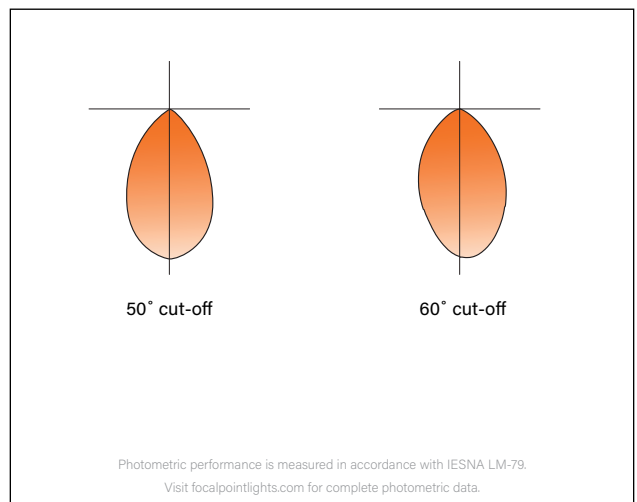
Multiple canopy options enable various driver offerings and conduit installations while maintaining premier aesthetics.

Available with The Naturals, a series of finishes that exude biophilic beauty.

PoE compatible: Integrates with Power over Ethernet lighting systems via standard, low-voltage wires.

Cohesive and powerful performance by using the optics and light sources of ID+ 3.5" recessed family.

## DISTRIBUTIONS



fixture:

project:

### SPECIFICATIONS

#### LED System

Proprietary LED module with single light emitting source. May be specified in 2700K, 3000K, 3500K or 4000K in CRI>80 or CRI>90. 3500K and 4000K with CRI>90 have a cyanosis observation index (COI) of 3.3 or less. Color accuracy within 2 SDCM. Aluminum heat sink provides appropriate thermal management.

#### Construction

Housing is extruded aluminum. Internal reflector (WWT & WWS) are spun aluminum. Fixture weight not exceed 9 lb.

#### Optics

50-degree or 60-degree cut-off to light source and its image. Wall wash features acrylic diffuser to provide smooth illumination down the wall.

#### Electrical

Choice of constant current dimming drivers. Power factor > .9 typical. PoE compatible: Integrates with Power over Ethernet lighting systems via standard, low-voltage wires. L11 & LFP with Shallow Canopy (SC), Decorative Shallow Canopy (DSC), and Mini Power Canopy (MPC) not Right Light as standard, consult factory.

#### Labels

UL and cUL listed. Suitable for Dry or Damp Locations, indoor use only.

#### Finish

Polyester powder coat applied over a multi-stage pre-treatment. The Naturals: 100% low VOC vinyl.

#### Lumen Maintenance

Calculated: L70 at 200,000 hours      Reported: L70 at >55,000 hours  
(Derived from EPA TM-21 calculator per 10,000 hours of LED test data)

#### Reliability

At Focal Point, our products are designed to stand the test of time. Each luminaire is engineered using superior components, manufactured with the utmost care and rigorously tested. Contact us for reliability data.

#### Warranty

LED system rated for operation in ambient environments up to 25°C. 5 year limited warranty.

		<b>7" ORDERING</b>	<b>FLCY3WN</b>
		<b>Luminaire Series</b>	
		ID+ 3.5" Pure Cylinder Wall Wash	FLCY3WN
		<b>Trim Type</b>	<b>RD</b>
		Round	RD
		<b>Housing Height</b>	<b>7H</b>
		7"	7H
		<small>(Up to 24" in 1/2" increment with conditions. Consult factory for details.)</small>	
		<b>Direct Lumen Output</b>	
		700 Lumens*	700DN
		900 Lumens*	900DN
		1100 Lumens (Not available with SC,DSC, nor MPC.)	1100DN
		1300 Lumens	1300DN
		1500 Lumens	1500DN
		1700 Lumens	1700DN
		1900 Lumens	1900DN
		2100 Lumens (PC, DPC, MPC only.)	2100DN
		2300 lumens (PD, DPC, MPC only.)	2300DN
		<b>Color Temperature</b>	
		<small>(Add 9 for 90 CRI or H for 97 CRI. Leave blank for 80 CRI.)</small>	
		2700K, 80/90/97+ CRI	_27K
		3000K, 80/90/97+ CRI	_30K
		3500K, 80/90/97+ CRI	_35K
		4000K, 80/90/97+ CRI	_40K
		2700-1800K, 90+ CRI**	92718W
		3000-1800K, 90+ CRI**	93018W
		1800-4000K, 90+ CRI (700DN only)†	91840T
		2700-5000K, 90+ CRI†	92750T
		2700-6500K, 90+ CRI†	92765T
		<small>(700DN, 900DN and 1300DN)</small>	
		<b>Circuits</b>	<b>1C</b>
		Single Circuit	1C
		<b>Voltage</b>	
		UNV 120/277 Volt	UNV
		120 Volt	120
		277 Volt	277
		Low Voltage (LVN control system Only)	LV
		<b>Canopy Configuration</b>	
		Shallow Canopy, Integral Driver <sup>1</sup>	SC
		Shallow Canopy with decorative J-box cover, <sup>1</sup> Integral Driver	DSC
		Power Canopy, driver inside canopy	PC
		Power Canopy with decorative J-box cover, driver inside canopy	DPC
		Mini Power Canopy, drive inside canopy <small>(Fixed Stem only. L11 or LFP only. Not available with Warm Dim &amp; Tunable White.)</small>	MPC
		<b>Canopy Color<sup>2</sup></b>	
		<small>(See finishes page for The Naturals options available with SC, PC and MPC canopies only.)</small>	
		Matte Black	BK
		Matte White	WH
		Paladium Silver	PS
		<b>Control System &amp; Dimming Level</b>	
		0-10V - 0% Dimming <sup>3</sup>	LZ1
		0-10V - 1% Dimming	L11
		0-10V - 10% Dimming <sup>3</sup>	LD1
		Low Voltage, PoE compatible LVN <small>(No driver. Not available with Warm dim &amp; Tunable white, SC or DSC only, LV only.)</small>	LVN
		Phase Dimming	LFP
		Lutron Hi-Lume EcoSystem (LDE1) - <sup>3</sup>	LH1
		1% Dimming <small>(700DN, 900DN Not available)</small>	
		DALI - 0% Dimming <sup>3</sup>	DZ1
		DALI - <1% Dimming (Tunable White) <sup>3</sup>	DZTW
		DALI - 1% Dimming <sup>3</sup>	D11
		<b>Mounting</b>	
		12", 50° Swivel Stem	B12
		18", 50° Swivel Stem	B18
		2'- 8' in 1' increments, 50° Swivel Stem <small>(Specify in inches, example: 8' stem = B96)</small>	B_
		12", Fixed Stem	S12
		18", Fixed Stem	S18
		2'- 8' in 1' increments, Fixed Stem <small>(Specify in inches, example: 8' stem = S96)</small>	S_
		<b>Suspension Color<sup>2</sup></b>	
		Black	BK
		White	WH
		Paladium Silver	PS
		<b>Direct Optic</b>	
		50° cut-off cone	WWT
		60° cut-off cone	WWS
		<b>Reflector Color</b>	
		Clear Diffuse	CD
		Warm Diffuse	WD
		White	WH
		Black	BK
		<b>Luminaire Finish<sup>2</sup></b>	
		<small>(See finishes page for The Naturals options)</small>	
		Black	BK
		White	WH
		Paladium Silver	PS
		Custom Color option available	RAL_ _ _ _

\* (LFP not available with PC or DPC.)  
 † (1500DN only. PC or DPC only.)  
 ‡ (DZTW with PC or DPC only.)  
 † (1900DN max., L11, LFP & LVN only.)  
 ‡ (For custom colors specify an RAL color. Suspension custom color available for Stem mount only. Extended lead time, consult factory.)  
 † (PC or DPC only.)

fixture:

project:

**SPECIFICATIONS**

**LED System**

Proprietary LED module with single light emitting source. May be specified in 2700K, 3000K, 3500K or 4000K in CRI>80 or CRI>90. 3500K and 4000K with CRI>90 have a cyanosis observation index (COI) of 3.3 or less. Color accuracy within 2 SDCM. Aluminum heat sink provides appropriate thermal management.

**Construction**

Housing is extruded aluminum. Internal reflector (WWS) are spun aluminum. Fixture will not exceed 9 lb.

**Optics**

50-degree or 60-degree cut-off to light source and its image. Wall wash features acrylic diffuser to provide smooth illumination down the wall.

**Electrical**

Choice of constant current dimming drivers. Power factor > .9 typical. PoE compatible: Integrates with Power over Ethernet lighting systems via standard, low-voltage wires. L11 & LFP with Mini Power Canopy (MPC) not Right Light as standard, consult factory.

**Labels**

UL and cUL listed. Suitable for Dry or Damp Locations, indoor use only.

**Finish**

Polyester powder coat applied over a multi-stage pre-treatment. The Naturals: 100% low VOC vinyl.

**Lumen Maintenance**

Calculated: L70 at 200,000 hours      Reported: L70 at >55,000 hours  
(Derived from EPA TM-21 calculator per 10,000 hours of LED test data)

**Reliability**

At Focal Point, our products are designed to stand the test of time. Each luminaire is engineered using superior components, manufactured with the utmost care and rigorously tested. Contact us for reliability data.

**Warranty**

LED system rated for operation in ambient environments up to 25°C. 5 year limited warranty.

		<b>4" ORDERING</b>	
		<b>Luminaire Series</b>	<b>FLCY3WN</b>
		ID+ 3.5" Pure Cylinder Wall Wash	FLCY3WN
		<b>Trim Type</b>	<b>RD</b>
		Round	RD
		<b>Housing Height</b>	<b>4H</b>
		4"	4H
		<small>(Up to 24" in 1/2" increment with conditions. Consult factory for details.)</small>	
		<b>Direct Lumen Output</b>	
		700 Lumens*	700DN
		900 Lumens*	900DN
		1100 Lumens (Not available with MPC.)	1100DN
		1300 Lumens	1300DN
		1500 Lumens	1500DN
		1700 Lumens	1700DN
		1900 Lumens	1900DN
		2100 Lumens	2100DN
		2300 Lumens	2300DN
		<b>Color Temperature</b>	
		<small>(Add 9 for 90 CRI or H for 97 CRI. Leave blank for 80 CRI)</small>	
		2700K, 80/90/97+ CRI	_27K
		3000K, 80/90/97+ CRI	_30K
		3500K, 80/90/97+ CRI	_35K
		4000K, 80/90/97+ CRI	_40K
	Warm	2700-1800K, 90+ CRI**	92718W
	Dim	3000-1800K, 90+ CRI**	93018W
	Tunable White	1800-4000K, 90+ CRI (700DN only)†	91840T
		2700-5000K, 90+ CRI† (700DN, 900DN and 1300DN)	92750T
		2700-6500K, 90+ CRI† (700DN, 900DN and 1300DN)	92765T
		<b>Circuits</b>	<b>1C</b>
		Single Circuit	1C
		<b>Voltage</b>	
		UNV 120/277 Volt	UNV
		120 Volt	120
		277 Volt	277
		<b>Canopy Configuration</b>	
		Power Canopy	PC
		Decorative Power Canopy	DPC
		Mini Power Canopy	MPC
		<small>(Fixed Stem only, L11 or LFP only. Not available with Warm Dim &amp; Tunable White.)</small>	
		<b>Canopy Color<sup>1</sup></b>	
		<small>(See finishes page for The Naturals options available with PC and MPC canopies only)</small>	
		Matte Black	BK
		Matte White	WH
		Paladium Silver	PS
		<b>Control System &amp; Dimming Level</b>	
		0-10V - 0% Dimming <sup>2</sup>	LZ1
		0-10V - 1% Dimming	L11
		0-10V - 10% Dimming <sup>2</sup>	LD1
		Phase Dimming	LFP
		<small>(120V only, 700DN &amp; 900DN not available with PC or DPC)</small>	
		Lutron Hi-Lume EcoSystem (LDE1) - <sup>2</sup>	LH1
		1% Dimming	
		DALI - 0% Dimming <sup>2</sup>	DZ1
		DALI - <1% Dimming (Tunable White) <sup>2</sup>	DZTW
		DALI - 1% Dimming <sup>2</sup>	D11
		<b>Mounting</b>	
		12", 50° Swivel Stem	B12
		18", 50° Swivel Stem	B18
		2'- 8' in 1' increments, 50° Swivel Stem	B_
		<small>(Specify in inches, example: 8' stem = B96. Not available with MPC)</small>	
		12", Fixed Stem	S12
		18", Fixed Stem	S18
		2'- 8' in 1' increments, Fixed Stem	S_
		<small>(Specify in inches, example: 8' stem = S96)</small>	
		<b>Suspension Color<sup>1</sup></b>	
		Black	BK
		White	WH
		Paladium Silver	PS
		<b>Direct Optic</b>	<b>WWS</b>
		60° cut-off cone	WWS
		<b>Reflector Color</b>	
		Clear Diffuse	CD
		Warm Diffuse	WD
		White	WH
		Black	BK
		<b>Luminaire Finish<sup>1</sup></b>	
		<small>(See finishes page for The Naturals options)</small>	
		Black	BK
		White	WH
		Paladium Silver	PS
		Custom Color option available	RAL_ _ _ _

<sup>\*</sup>(LFP not available with PC or DPC.)

<sup>\*\*</sup>(1500DN - PC or DPC only.)

<sup>†</sup>(DZTW with PC or DPC only.)

<sup>‡</sup>(For custom colors specify an RAL color. Suspension custom color available for Stem mount only. Extended lead time, consult factory.)

<sup>2</sup>(PC or DPC only)

## PERFORMANCE CHARTS

STANDARD WHITE				
CCT	Lumen Output	Delivered Lumens	Tested System Watts	LPW
3500K, 80 CRI	700DN	771	8	92
	900DN	991	11	93
	1100DN	1102	12	93
	1300DN	1212	13	94
	1500DN	1432	15	94
	1700DN	1652	19	89
	1900DN	1872	21	90
	2100DN	2093	23	91
	2300DN	2313	25	91

Based on Short Cone (WWS), 3500K, 80CRI, Clear Diffuse. See page 5 for lumen performance multipliers. Lumen output may vary +/- 5%. Actual wattage may vary +/- 5%.

WD WARM DIM				
CCT	Lumen Output	Delivered Lumens	System Watts	LPW
93018K	1500	1516	25	60
92718K	1500	1496	25	59

TW TUNABLE WHITE				
CCT	Lumen Output	Delivered Lumens	System Watts	LPW
2700K (2700-5000K & 2700-6500K)	700DN	771	15	51
	900DN	976	19	51
	1300DN	1212	24	50
1800K (1800-4000K)	700DN	772	22	35

## LUMEN MULTIPLIER TABLE

### Optic & Distribution

Trim Type	Optic	Multiplier
Round	Tall Cone with 50° cut-off [WWT]	1.03
	Short Cone with 60° cut-off [WWS]	1.10

### Reflector Color

Trim Type	Optic	Distribution	Multiplier
Round	Tall Cone with 50° cut-off [WWT]	Clear Diffuse [CD]	1.00
		Warm Diffuse [WD]	0.91
		White [WH]	1.08
		Black [BK]	0.46
	Short Cone with 60° cut-off [WWS]	Clear Diffuse [CD]	1.00
		Warm Diffuse [WD]	0.93
		White [WH]	1.11
		Black [BK]	0.56

### Color Lumen Multipliers

CRI	STANDARD WHITE CCT				WARM DIM CCT RANGES		TUNABLE WHITE CCT RANGES		
	2700	3000	3500	4000	2700-1800K	3000-1800K	1800-4000K	2700-5000K	2700-6500K
80+	0.92	0.98	1.00	1.01	—	—	—	—	—
90+	0.76	0.79	0.82	0.84	1.00	1.01	1.00	1.00	1.00
97+	0.67	0.72	0.76	0.76	—	—	—	—	—

### How To Use Lumen Multipliers

**Formula:** (Lumen Output Value) x (Color Temperature & CRI) x (Optic & Distribution)

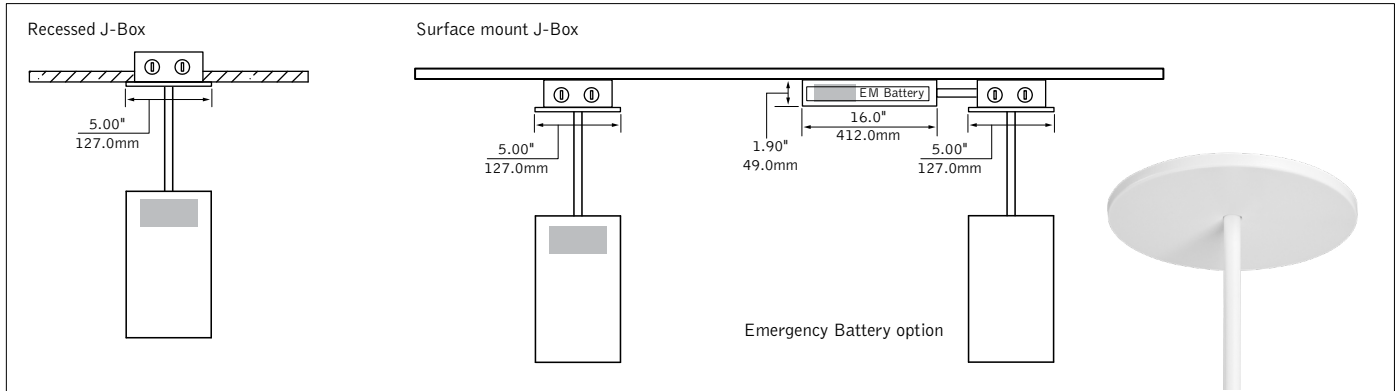
**Example:** FLCY3N-RD-1000DN-35K-DNT-FL1-CD

(1000) x (1.00) x (0.92) ≈ 920 lm (estimated delivered lumens)

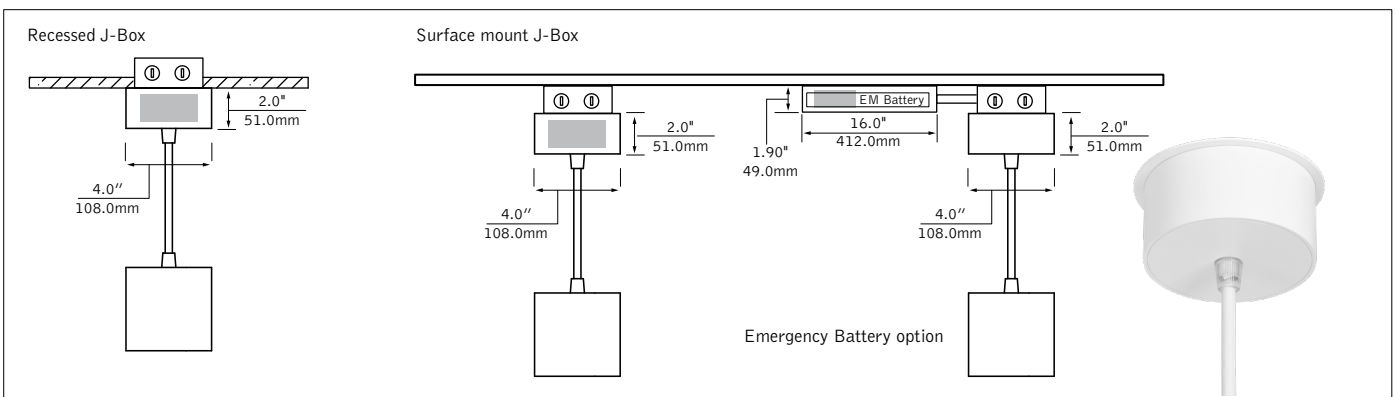
**DIMENSIONAL DATA CONTINUED**

SC - Shallow Canopy, Integral Driver

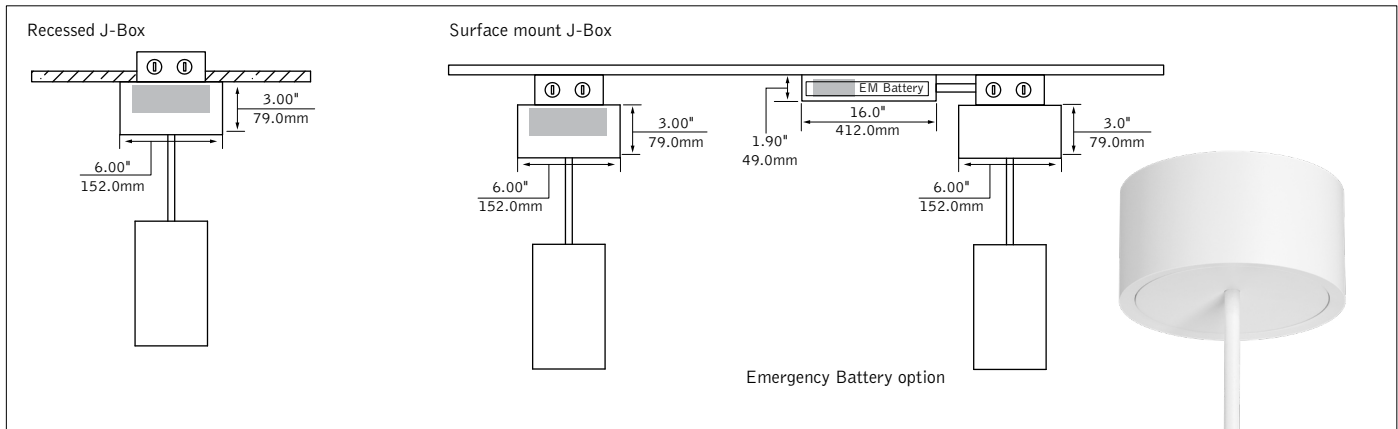
■ Indicates Driver Location



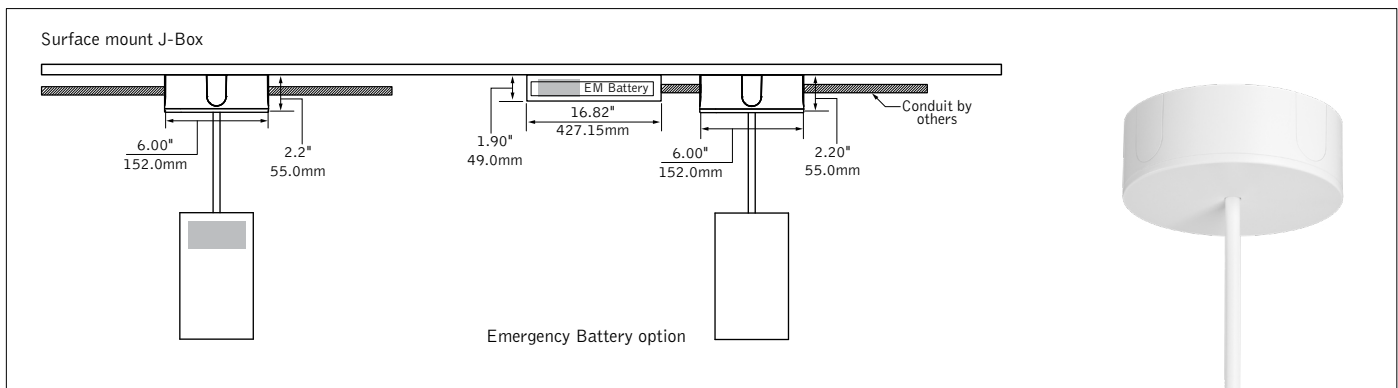
MPC - Mini Power Canopy (cable suspension shown)



PC - Power Canopy



DSC - Shallow Canopy with decorative J-box cover, Integral Driver





# Finishes

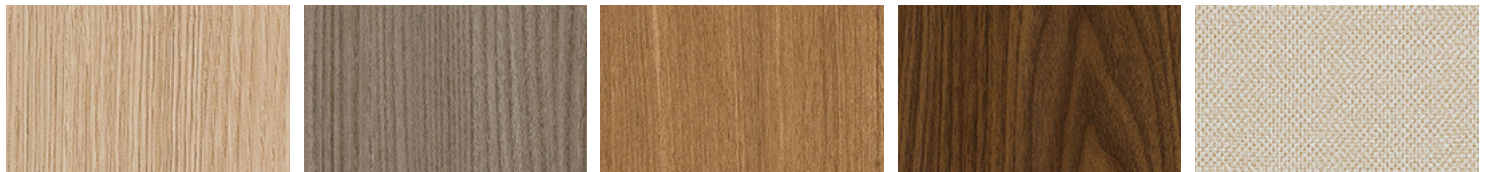


## STANDARD FINISHES



WHITE WH BLACK BK PALLADIUM SILVER PS CLEAR DIFFUSE CD WARM DIFFUSE WD

## THE NATURALS (25% SCALE)



LIGHT OAK LOK GRAY ELM GRE CHESTNUT CHT WALNUT WLT WOVEN LINEN WLN