

# ID+ 3.5" Pure Cylinder - Stem Mount

FLCY3N-RD-4H | FLCY3N-RD-7H- Power Canopy



FOCAL POINT®

## BEFORE YOU BEGIN

- Luminaires must be installed by a qualified electrician (check with local and national codes for proper installation).
- To prevent electrical shock, disconnect electrical supply before installation or servicing.
- Contractor is responsible for adequately reinforcing walls and/or ceilings to support fixture weight.
- Focal Point, LLC accepts no responsibility for inadequately reinforced walls and/or ceilings.
- The information contained in this drawing is the sole property of Focal Point, LLC. Any reproduction in part or whole without the written permission of Focal Point, LLC is prohibited.

## INSTRUCTION KEY

- ATTENTION**
- SEE ADDITIONAL INSTRUCTIONS**
- POWER OFF**
- POWER ON**

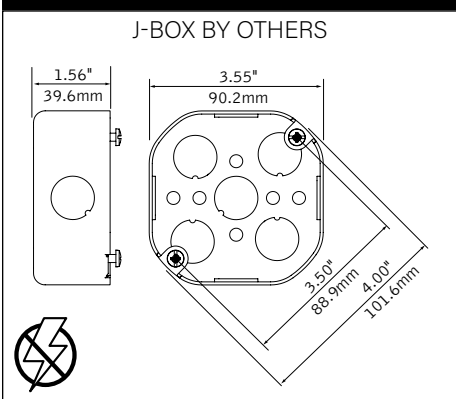
## COMPONENT KEY

SWIVEL STEM MOUNT	FIXED STEM MOUNT	POWER CANOPY
Shipped Assembled	#71511 #A47133-01	
		J-BOX MOUNTING BRACKET
		DRIVER CARRIAGE
		MOUNTING BRACKET (SWIVEL STEM ONLY)
		POWER CANOPY
7" HOUSING HEIGHT	4" HOUSING HEIGHT	7" HOUSING HEIGHT

DECORATIVE POWER CANOPY	
	DECORATIVE J-BOX COVER
	J-BOX MOUNTING BRACKET
	DRIVER CARRIAGE
	MOUNTING BRACKET (SWIVEL STEM ONLY)
	POWER CANOPY
	MOUNTING SCREWS #72029

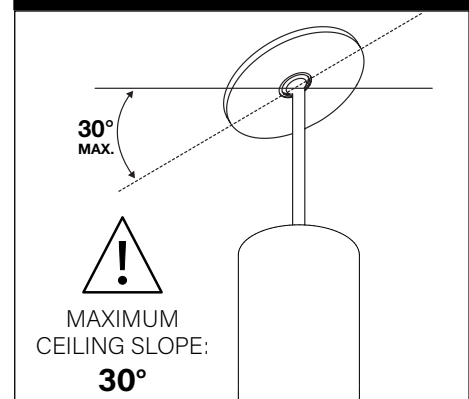
## 4" OCTAGONAL J-BOX REQUIRED



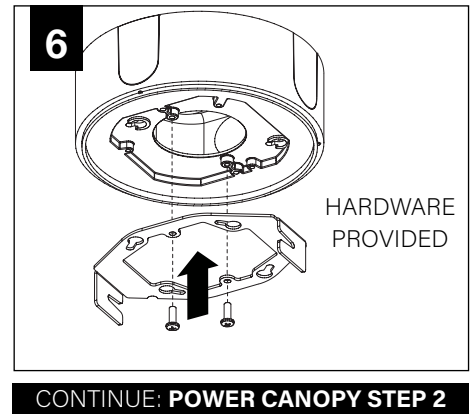
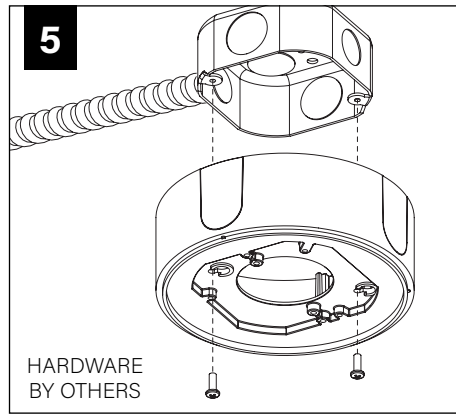
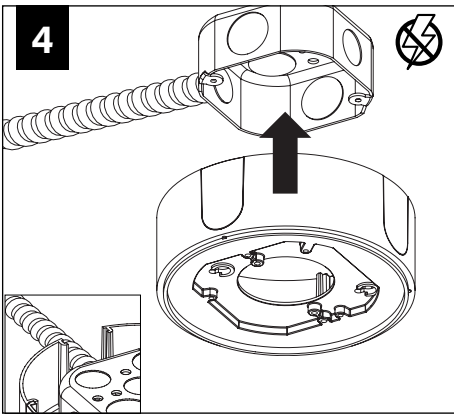
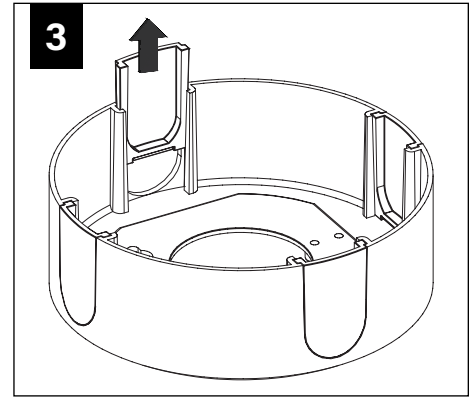
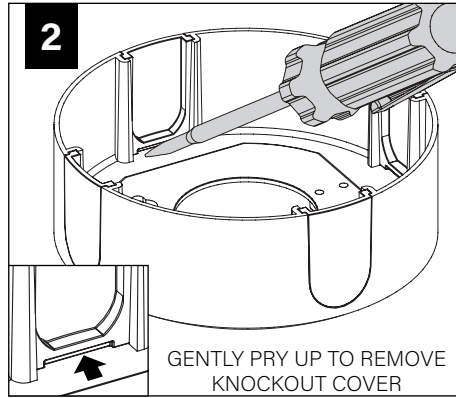
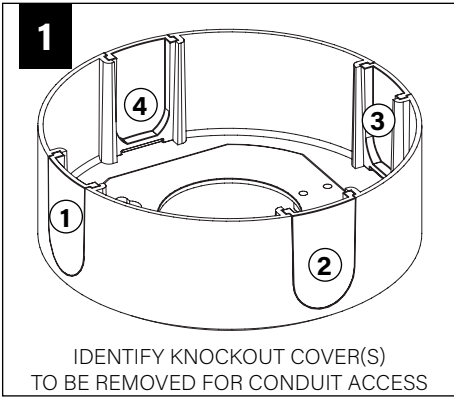
## EMERGENCY

PRIOR TO LUMINAIRE INSTALLATION, SEE **PAGE 6** FOR EMERGENCY INSTALLATION INSTRUCTIONS.

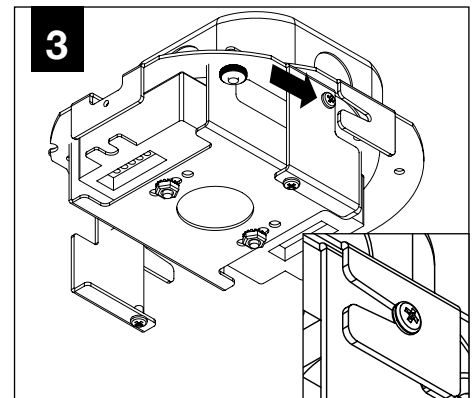
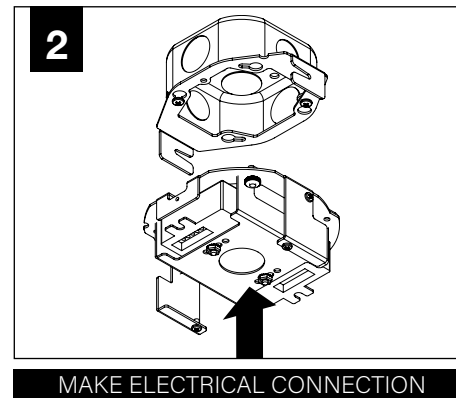
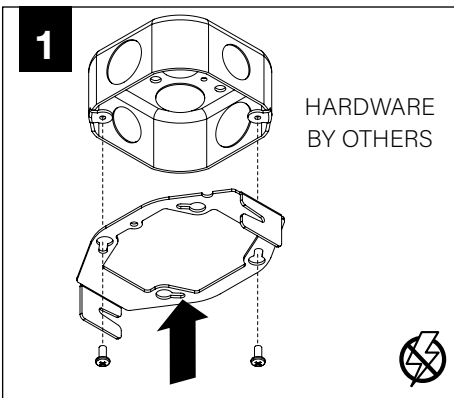
## SWIVEL STEM



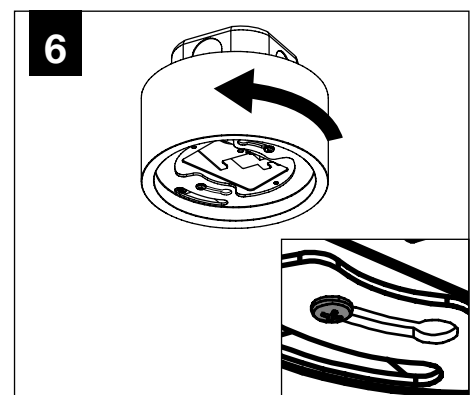
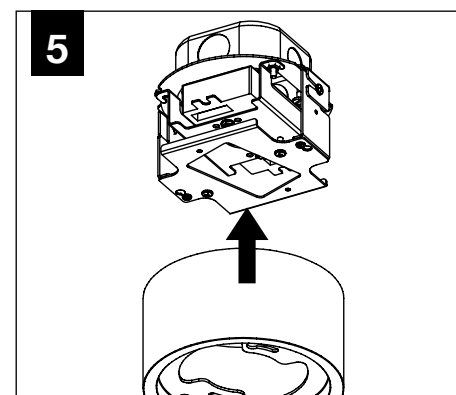
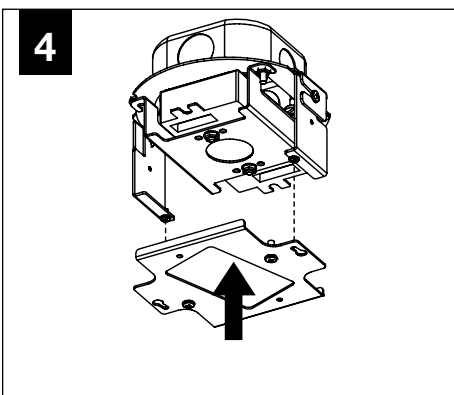
## DECORATIVE POWER CANOPY

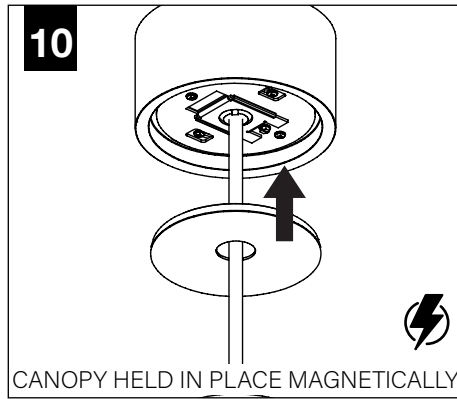
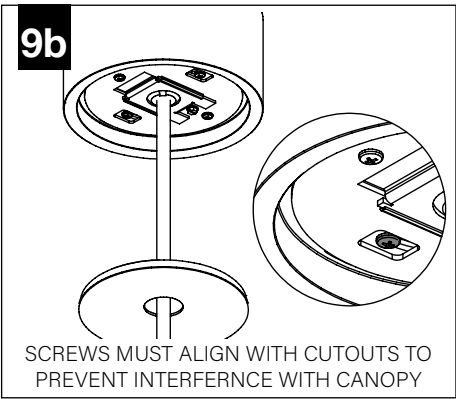
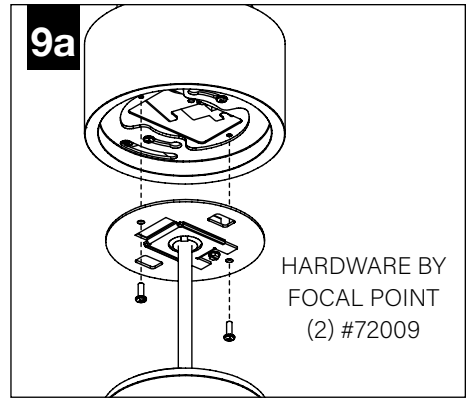
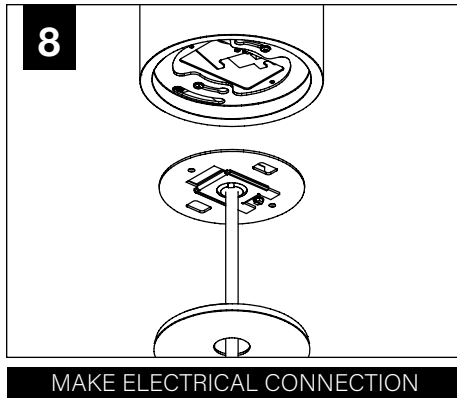
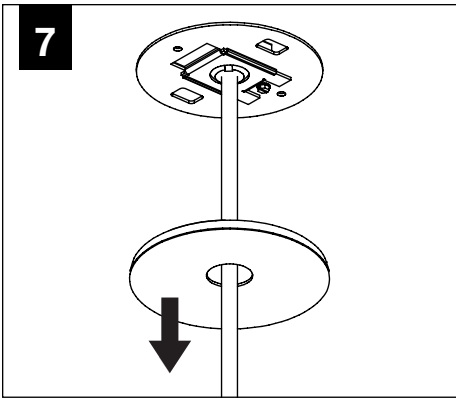


## POWER CANOPY

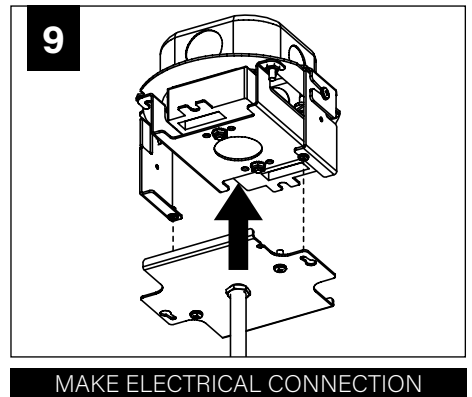
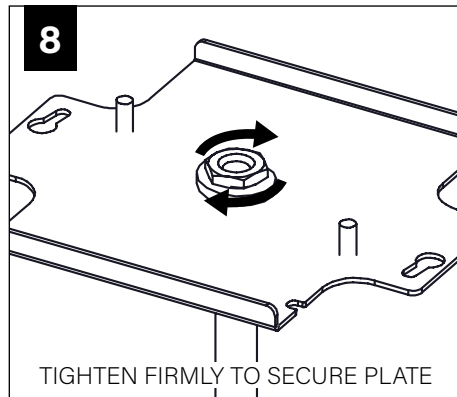
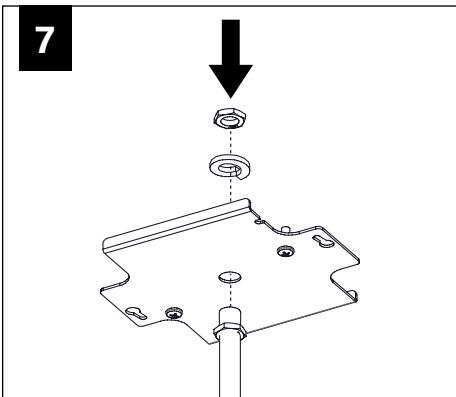
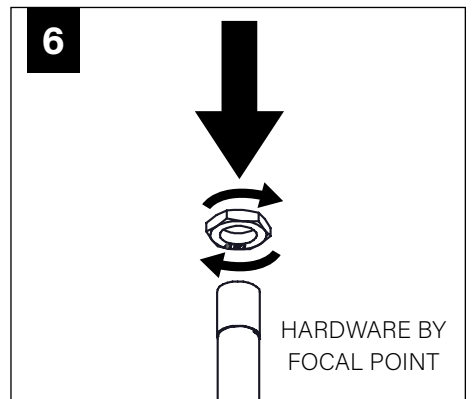
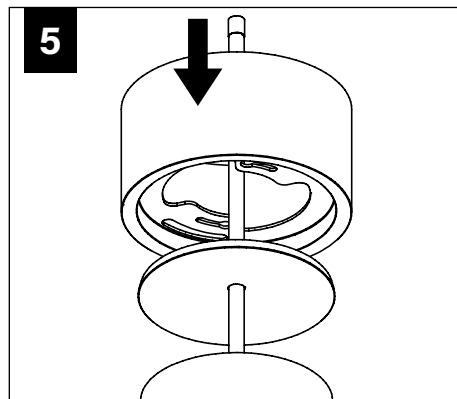
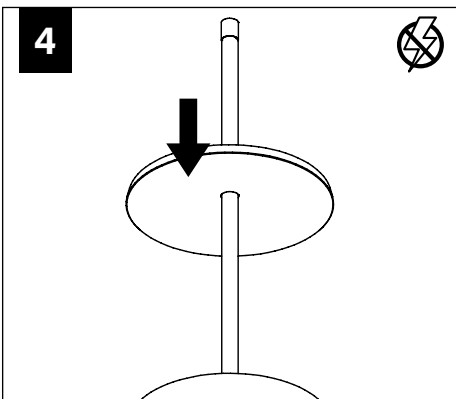


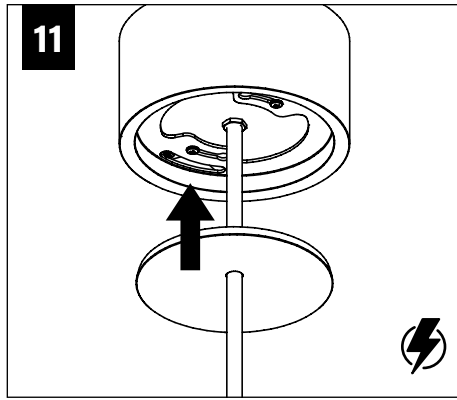
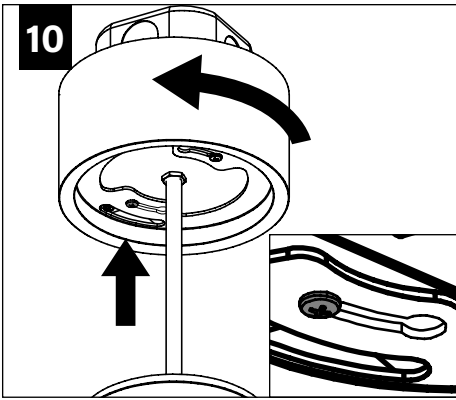
## SWIVEL STEM



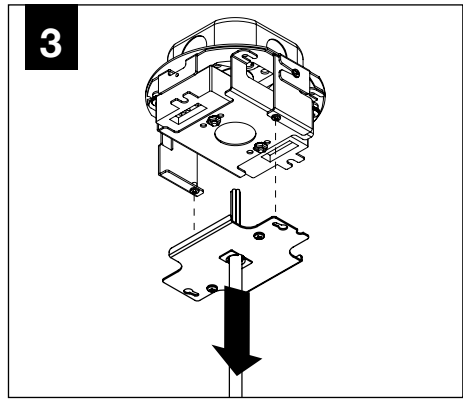
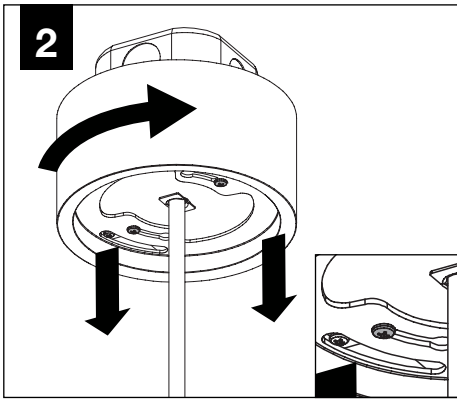
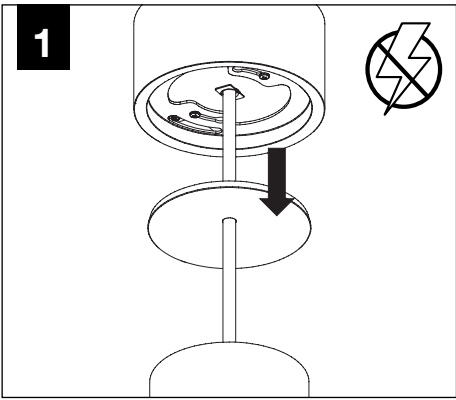


**FIXED STEM**

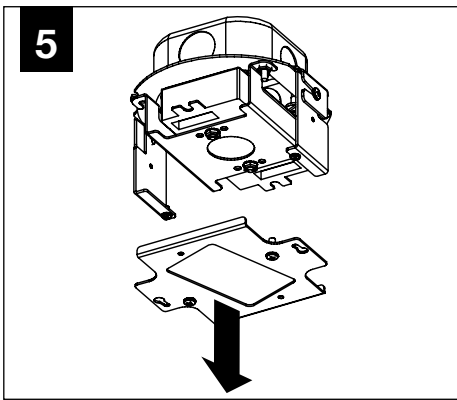
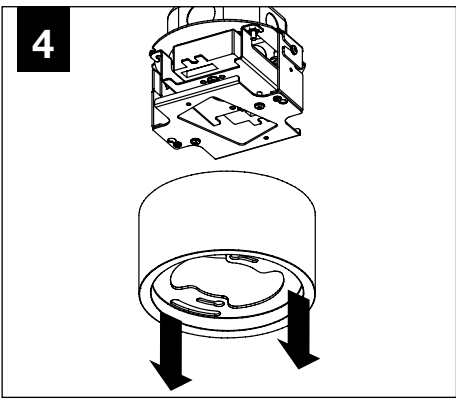
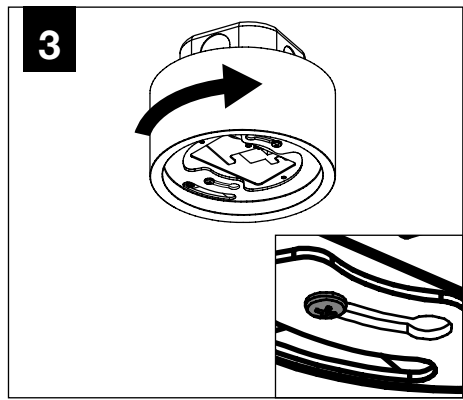
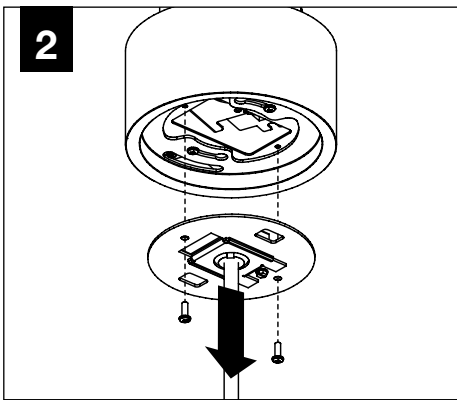
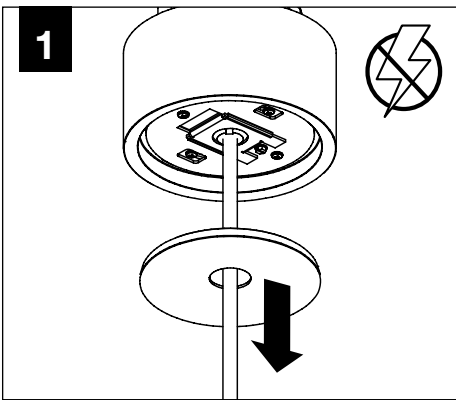




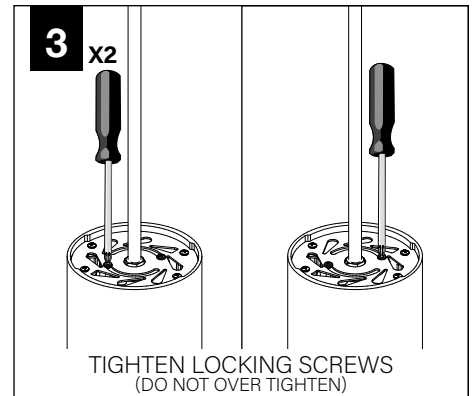
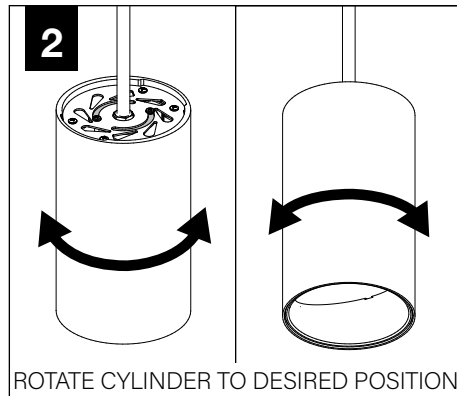
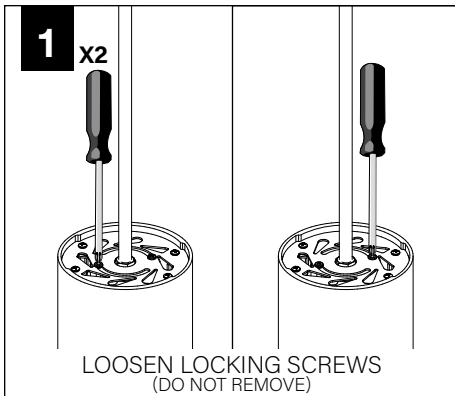
**FLCY2 / FLCY3 / FLCY4 - FIXED STEM DRIVER SERVICE**



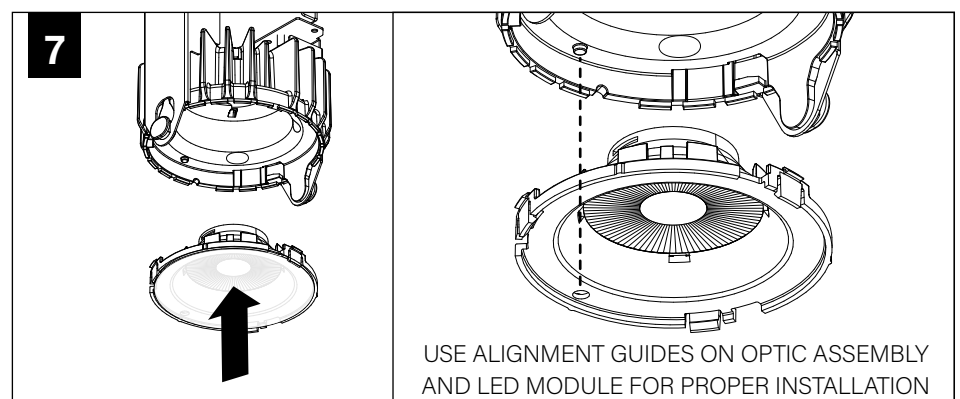
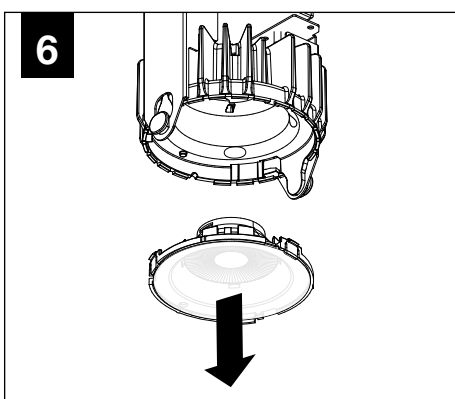
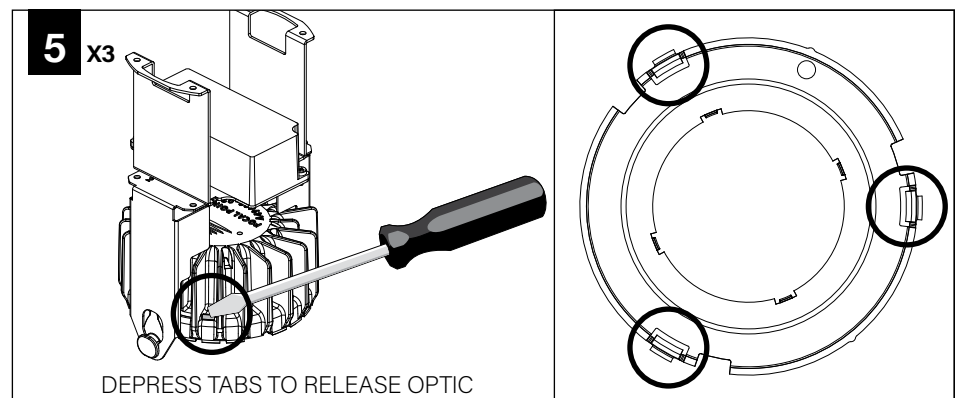
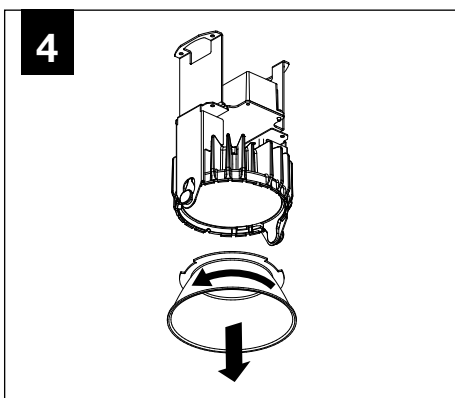
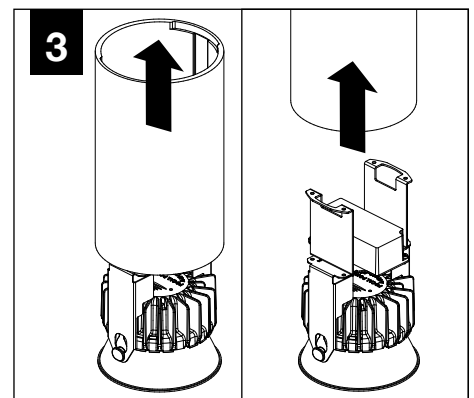
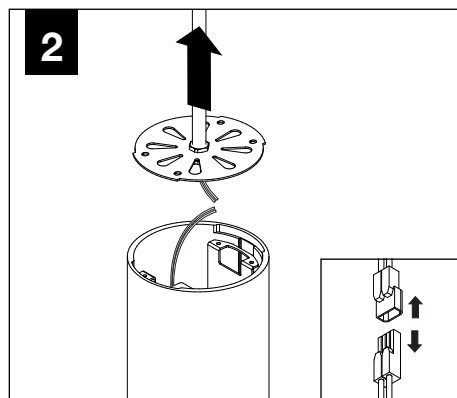
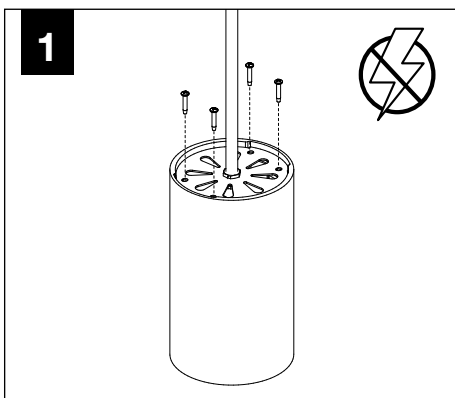
**FLCY2 / FLCY3 / FLCY4 - SWIVEL STEM DRIVER SERVICE**

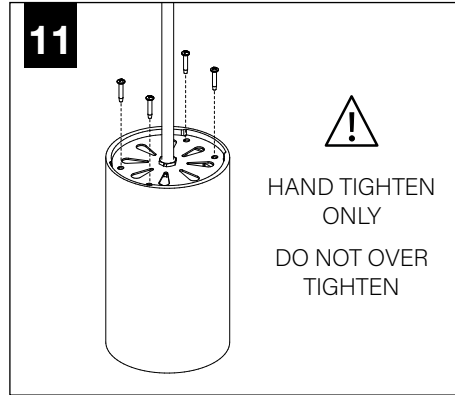
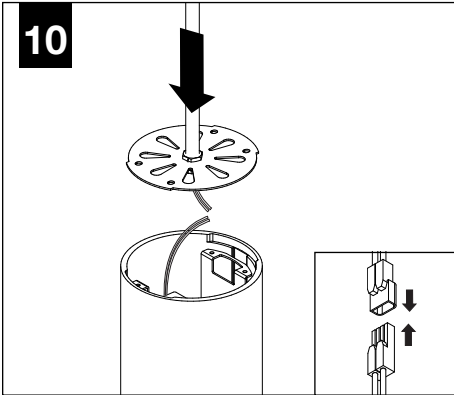
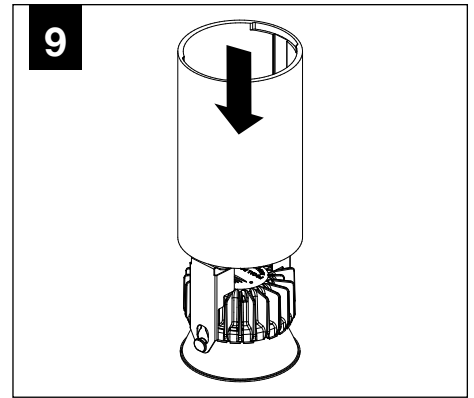
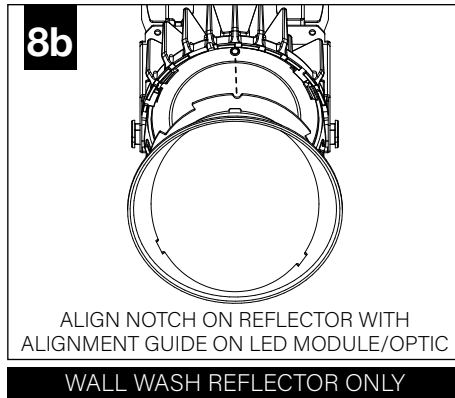
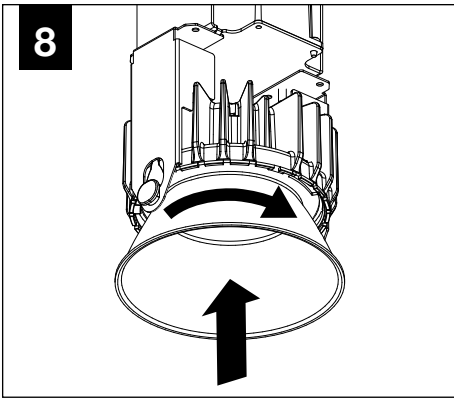


## WALL WASH AIMING



## OPTIC SERVICE



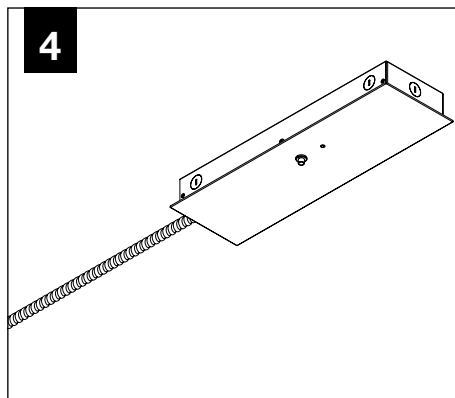
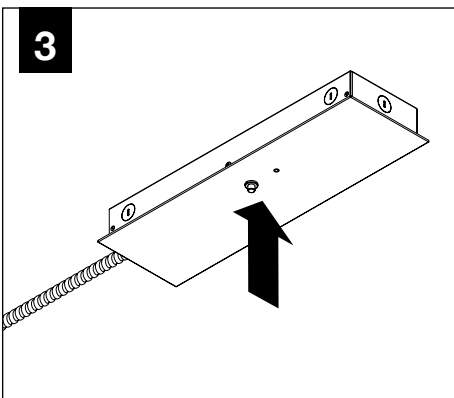
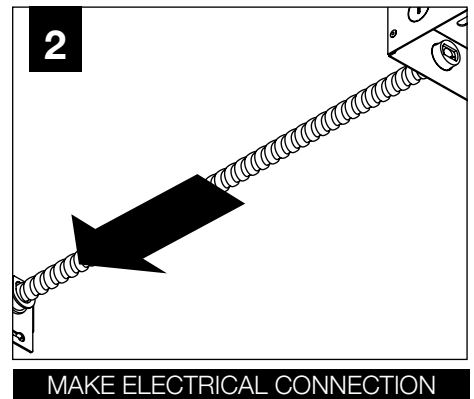
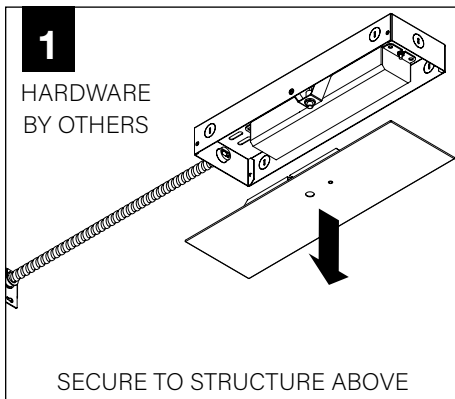


**EMERGENCY**

**I**

SEE BATTERY MANUFACTURER  
INSTRUCTIONS

**EMERGENCY MAXIMUM MOUNTING HEIGHT:**  
**CD & WH REFLECTORS - 17.1'**  
**WD & BK REFLECTORS - 15.1'**



**I**

PROCEED TO  
LUMINAIRE INSTALLATION