

ID+ 3.5" Pure Cylinder - Cord Suspension

FLCY3N-RD-4H | FLCY3N-RD-7H- Power Canopy



FOCAL POINT®

BEFORE YOU BEGIN

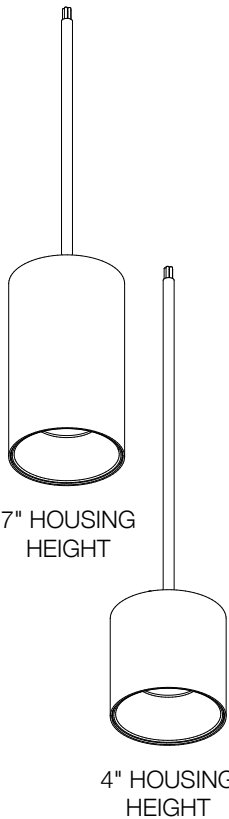
- Luminaires must be installed by a qualified electrician (check with local and national codes for proper installation).
- To prevent electrical shock, disconnect electrical supply before installation or servicing.
- Contractor is responsible for adequately reinforcing walls and/or ceilings to support fixture weight.
- Focal Point, LLC accepts no responsibility for inadequately reinforced walls and/or ceilings.
- The information contained in this drawing is the sole property of Focal Point, LLC. Any reproduction in part or whole without the written permission of Focal Point, LLC is prohibited.

INSTRUCTION KEY

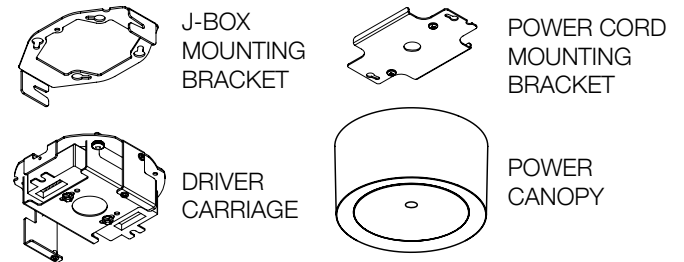
- ATTENTION**
- SEE ADDITIONAL INSTRUCTIONS**
- POWER OFF**
- POWER ON**

COMPONENT KEY

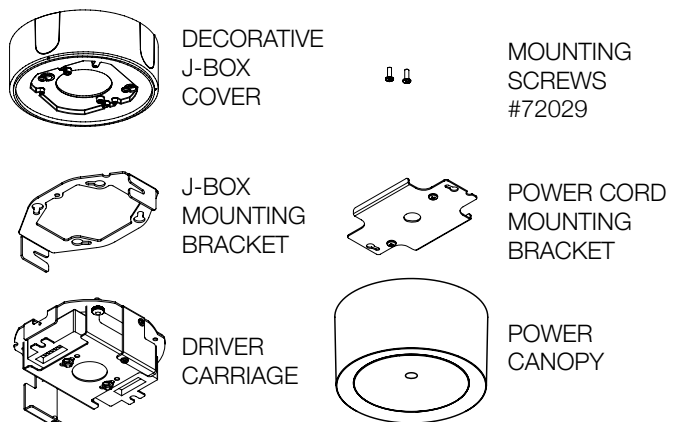
ID+ CYLINDER



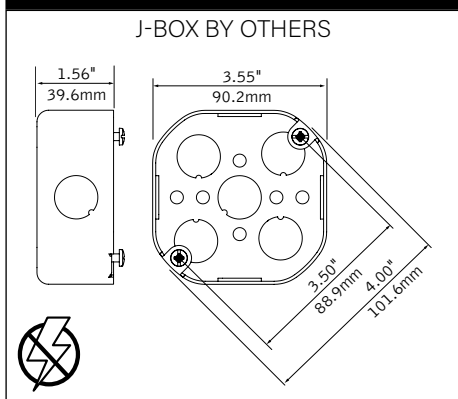
POWER CANOPY



DECORATIVE POWER CANOPY



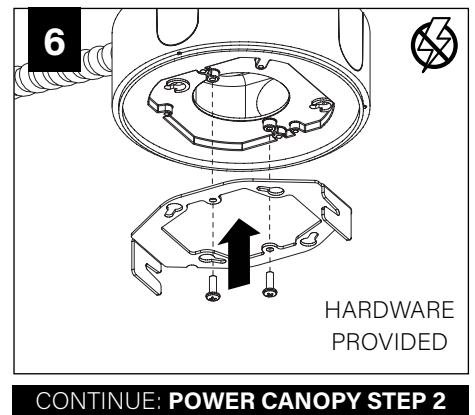
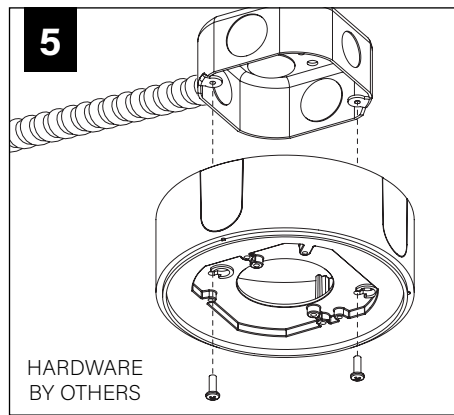
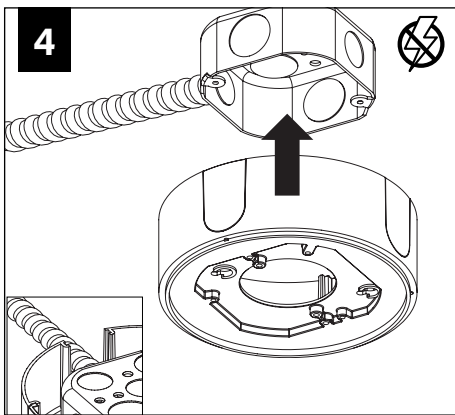
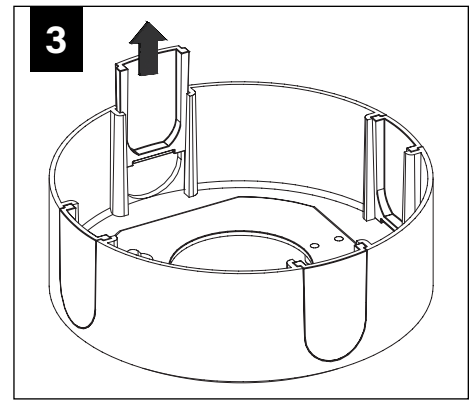
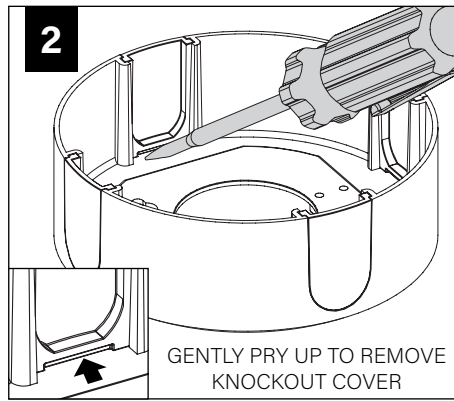
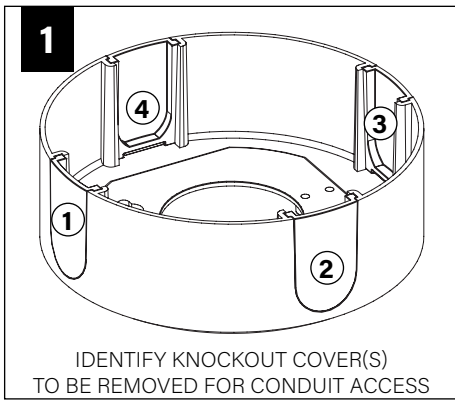
4" OCTAGONAL J-BOX REQUIRED



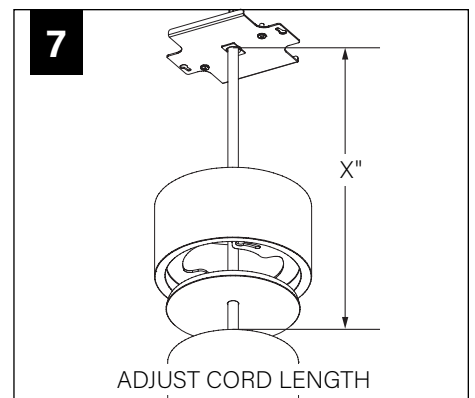
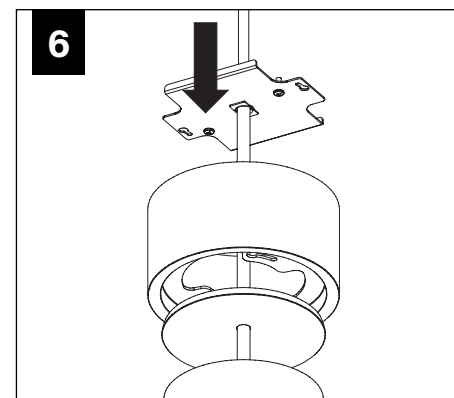
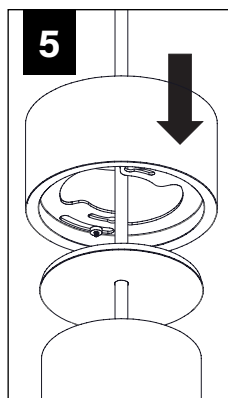
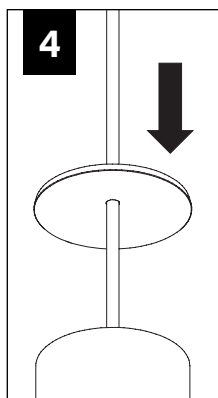
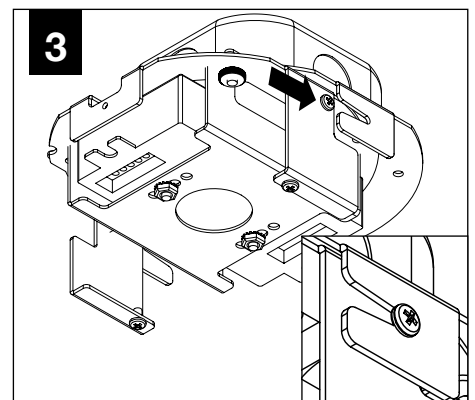
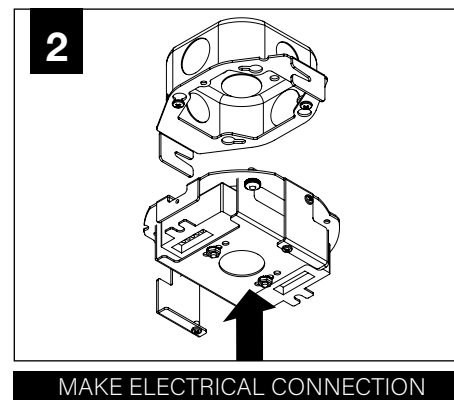
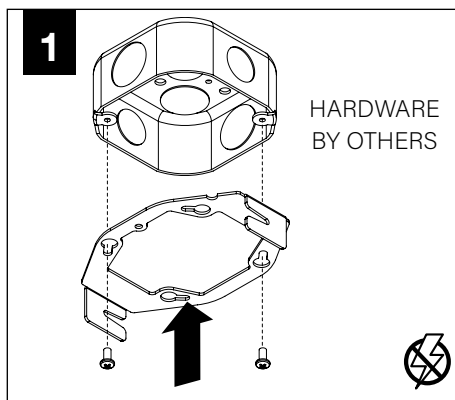
EMERGENCY

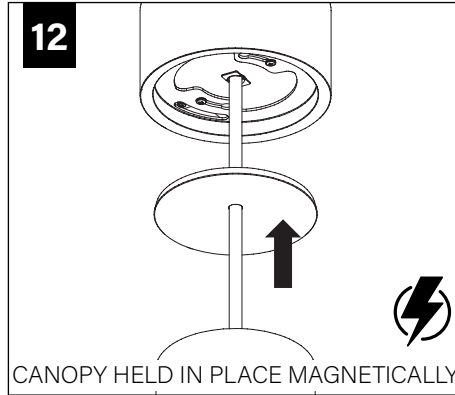
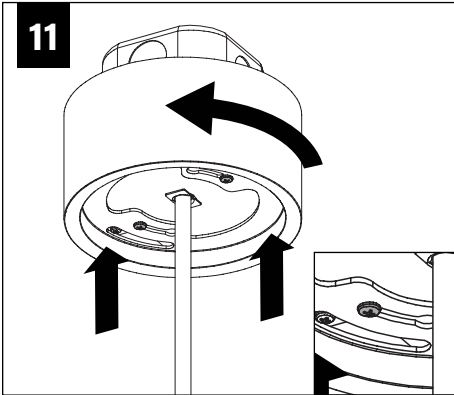
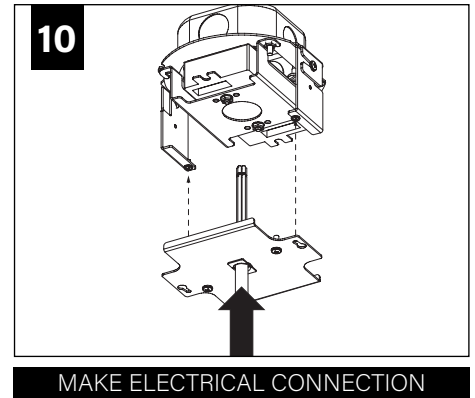
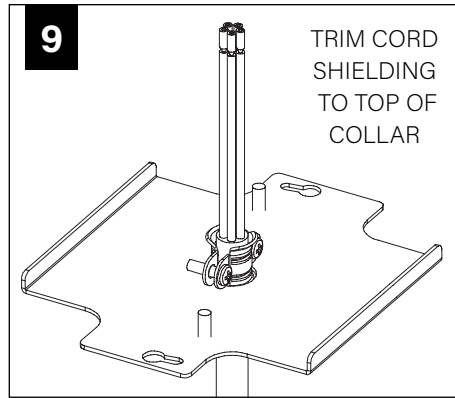
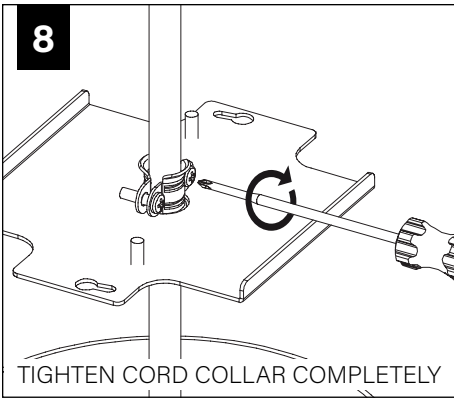
PRIOR TO LUMINAIRE INSTALLATION, SEE **PAGE 5** FOR EMERGENCY INSTALLATION INSTRUCTIONS.

DECORATIVE POWER CANOPY

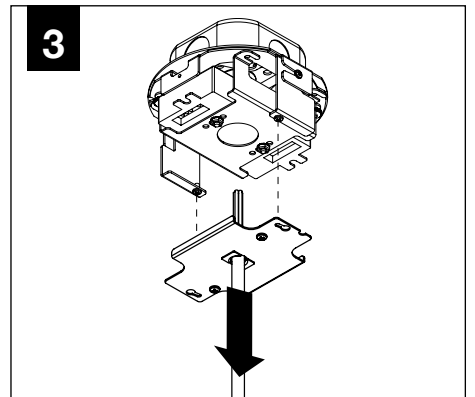
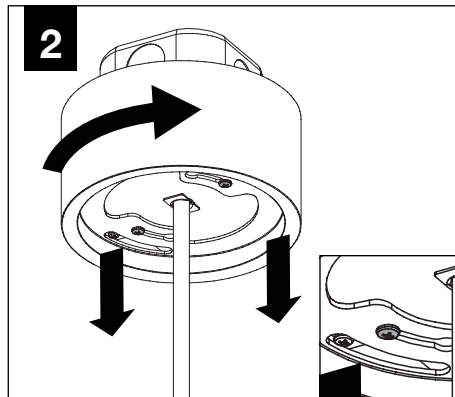
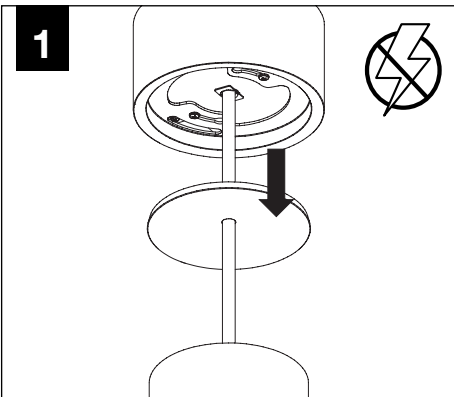


POWER CANOPY

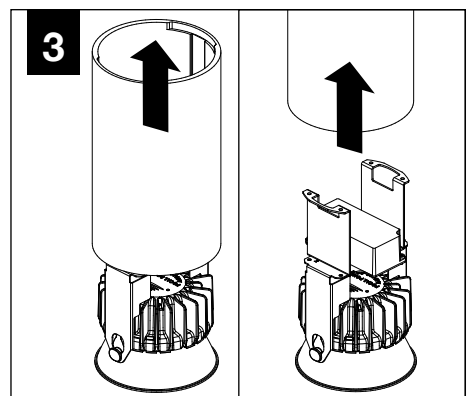
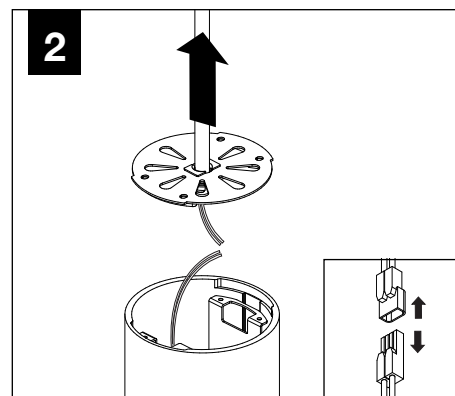
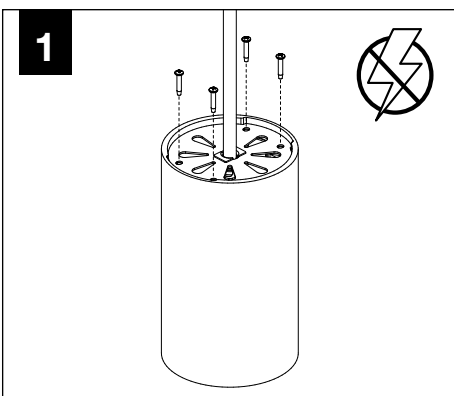


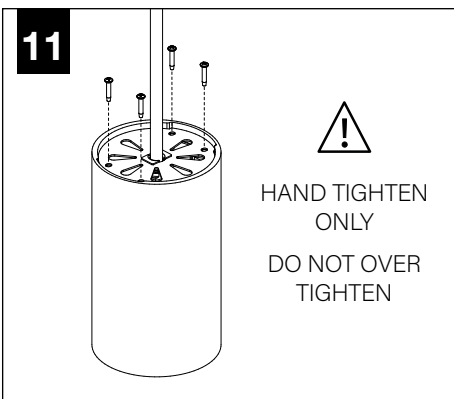
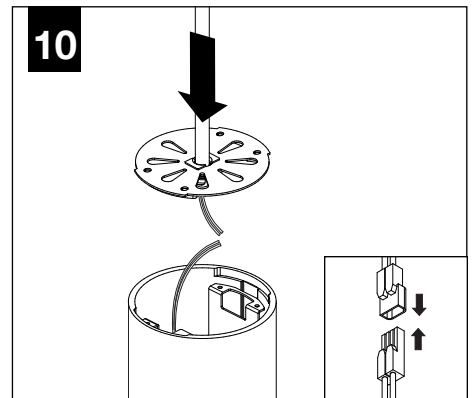
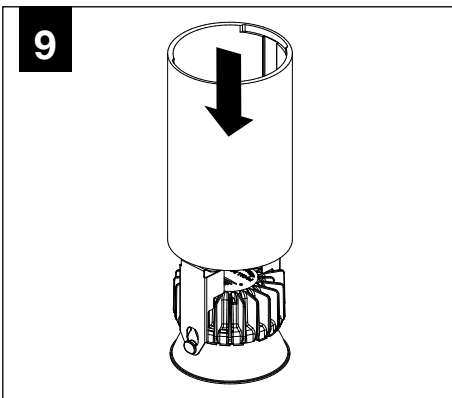
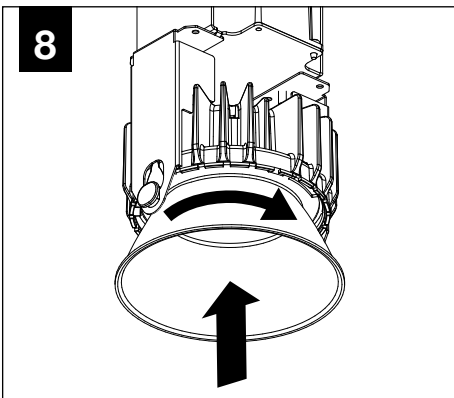
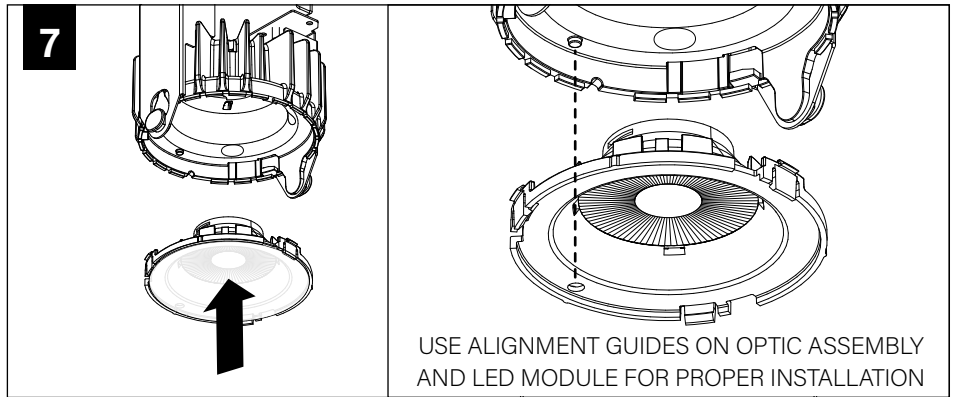
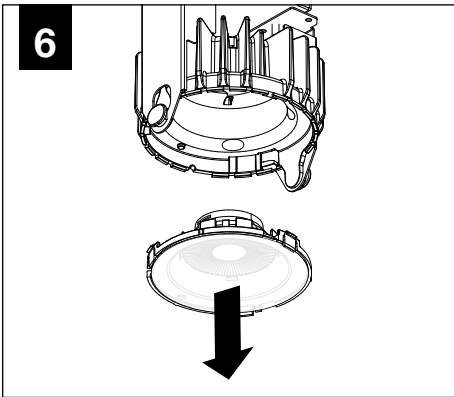
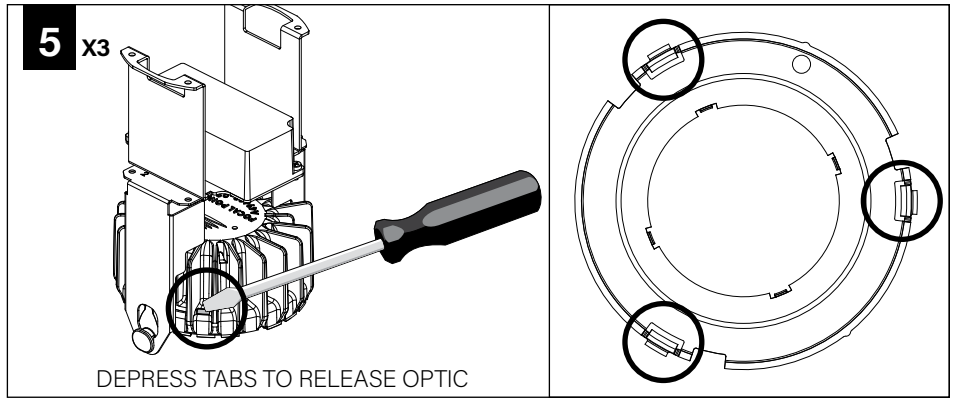
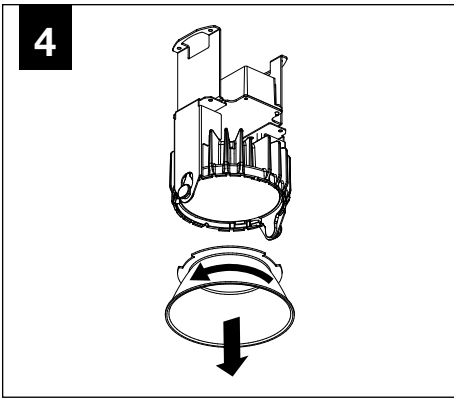


FLCY2 / FLCY3 / FLCY4 - POWER CANOPY DRIVER SERVICE



OPTIC SERVICE





EMERGENCY



SEE BATTERY MANUFACTURER INSTRUCTIONS

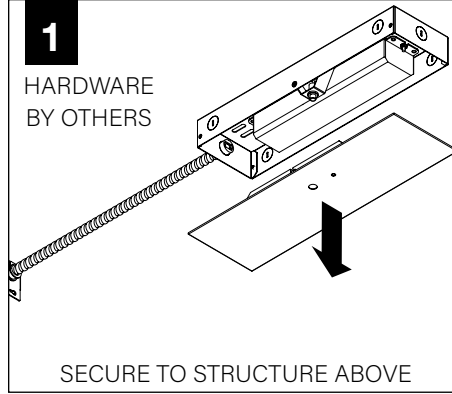
EMERGENCY MAXIMUM MOUNTING HEIGHT:

CD & WH REFLECTORS - 17.1'

WD & BK REFLECTORS - 15.1'

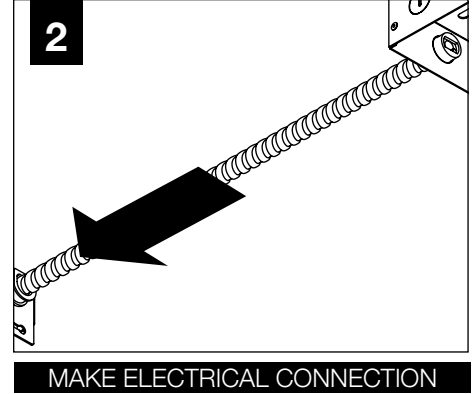
1

HARDWARE BY OTHERS



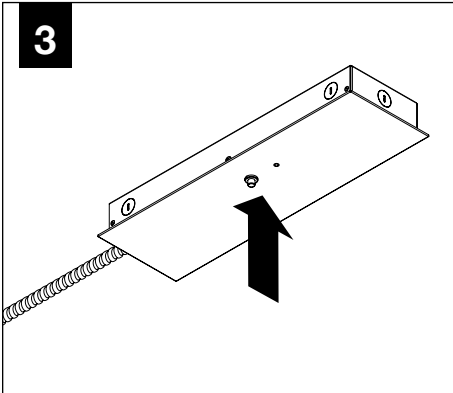
SECURE TO STRUCTURE ABOVE

2

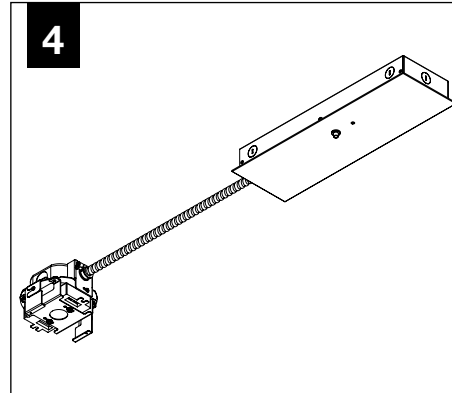


MAKE ELECTRICAL CONNECTION

3



4



PROCEED TO LUMINAIRE INSTALLATION