

ID+ 4.5" Adjustable

Round Overlap — FLCS4 | LCS4



FOCAL POINT®



BEFORE YOU BEGIN

- Luminaires must be installed by a qualified electrician (check with local and national codes for proper installation).
- To prevent electrical shock, disconnect electrical supply before installation or servicing.
- Contractor is responsible for adequately reinforcing walls and/or ceilings to support fixture weight.
- Focal Point, LLC accepts no responsibility for inadequately reinforced walls and/or ceilings.
- The information contained in this drawing is the sole property of Focal Point, LLC. Any reproduction in part or whole without the written permission of Focal Point, LLC is prohibited.

INSTRUCTION KEY



ATTENTION



SEE ADDITIONAL INSTRUCTIONS



POWER OFF



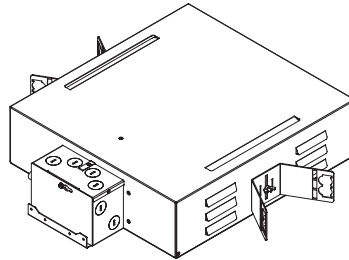
POWER ON



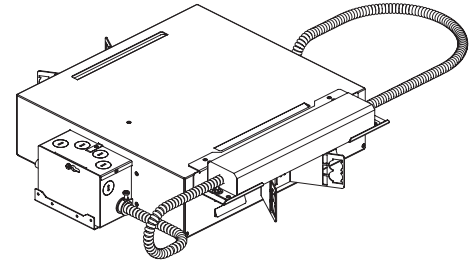
LEVEL

COMPONENT KEY

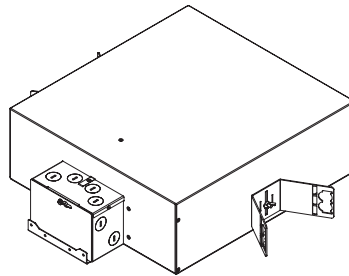
FOCAL POINT



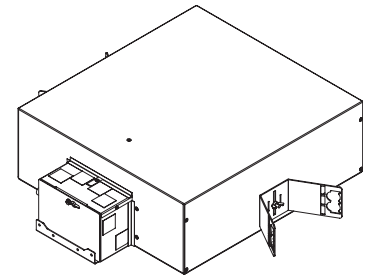
T-Housing



Emergency - Remote Test Switch

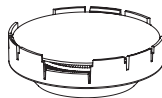


IC Rated Housing

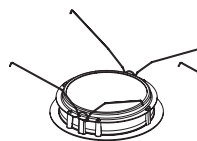


Chicago Plenum Housing

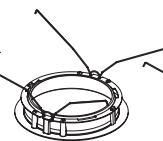
TRIM



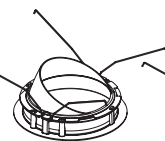
Beamspread optic, shipped installed (replacement kits available)



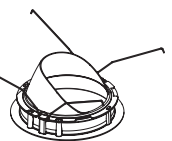
Solite Lens



Spot Optic, no lens 0°-15° tilt

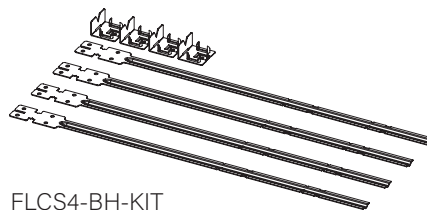


Spot Optic, no lens 15°-30° tilt



Spot Optic, no lens 25°-40° tilt

OPTIONAL BAR HANGERS - SOLD SEPARATELY



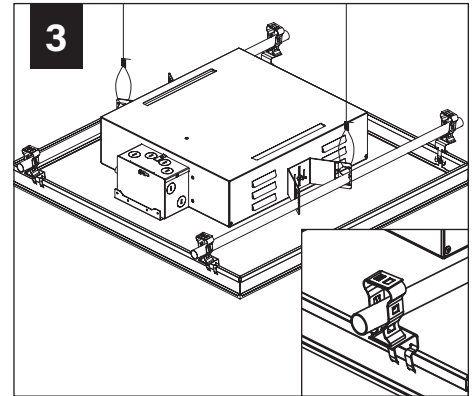
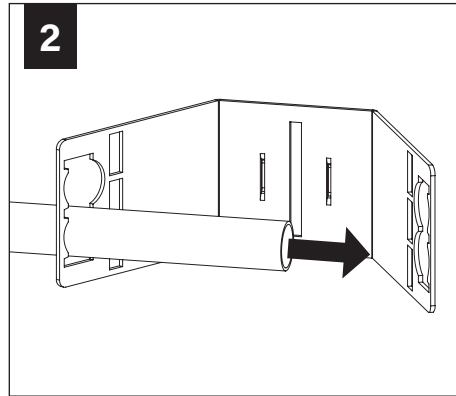
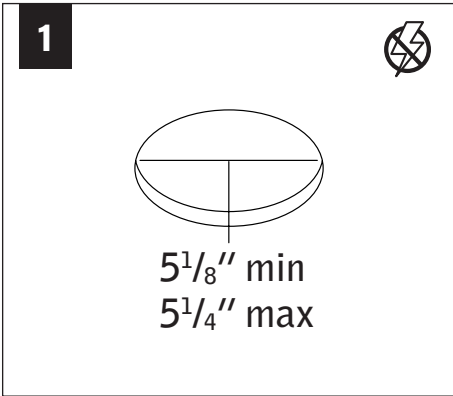
FLCS4-BH-KIT



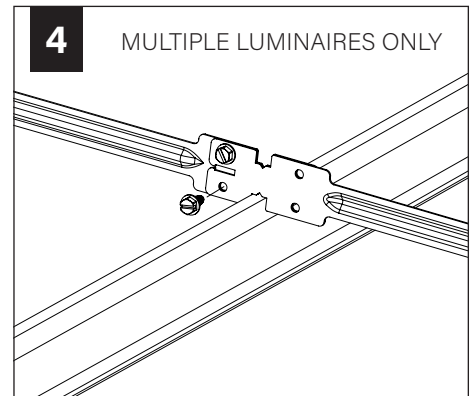
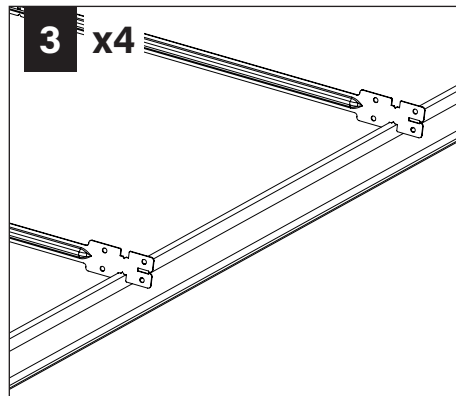
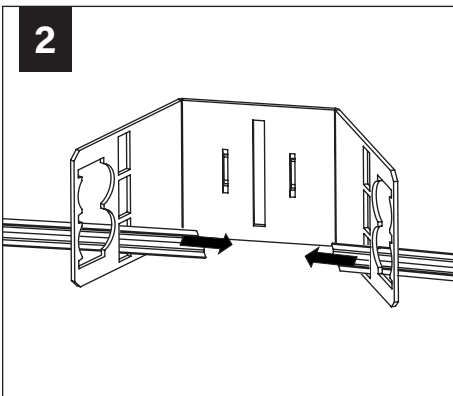
**LUMINAIRE MUST BE INSTALLED PRIOR TO DRYWALL CEILING.
ALL GRID LUMINAIRE MUST BE SECURED TO STRUCTURE ABOVE.**



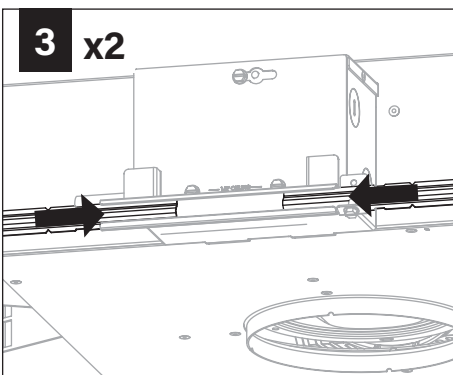
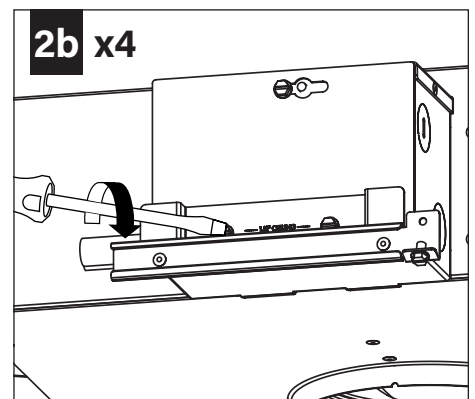
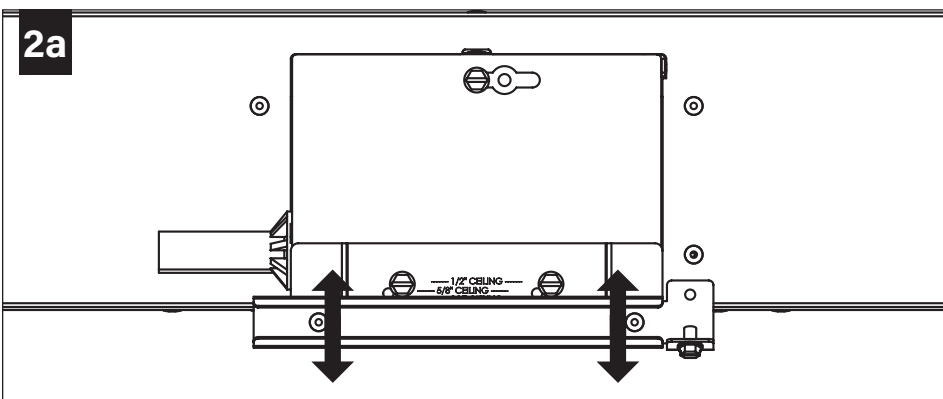
GRID - 1/2" CONDUIT & CLIP (BY OTHERS)



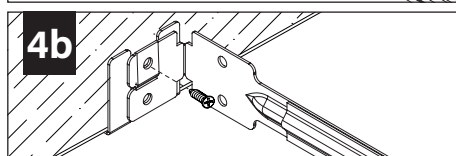
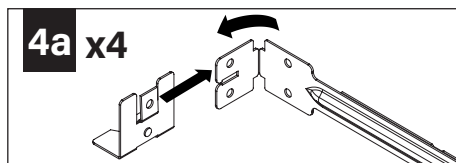
GRID - BAR HANGERS (SOLD SEPARATELY)



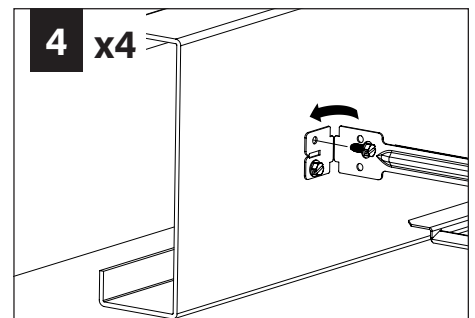
DRYWALL - BAR HANGERS (SOLD SEPARATELY)

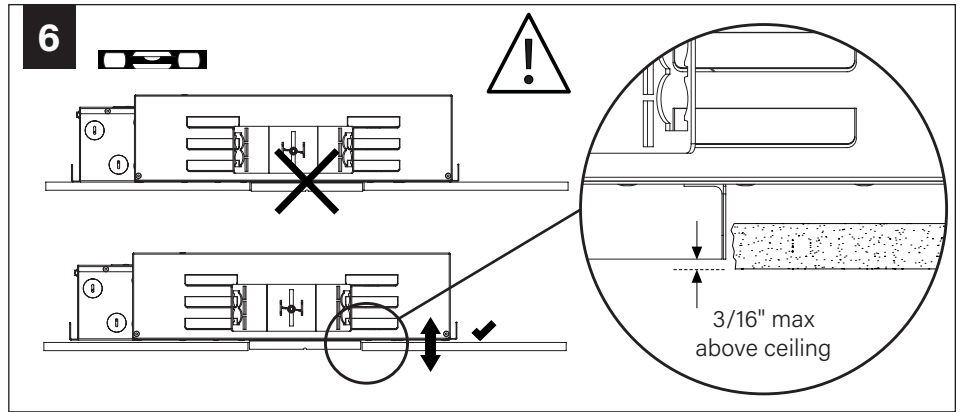
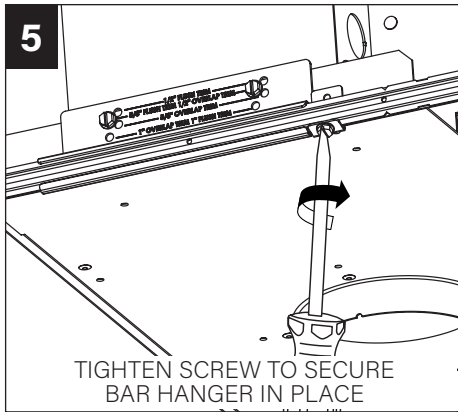


WOOD STUDS

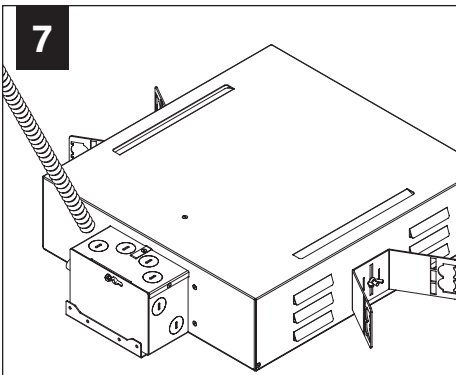


METAL STUDS





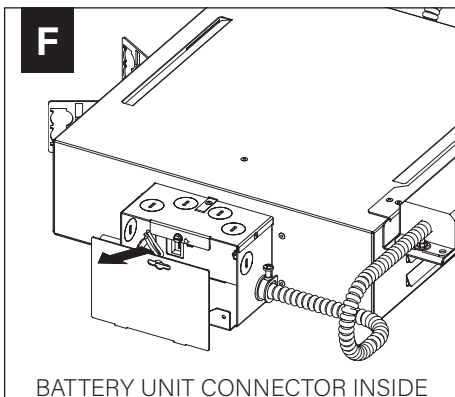
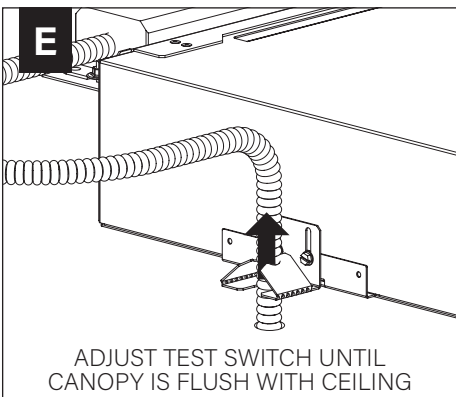
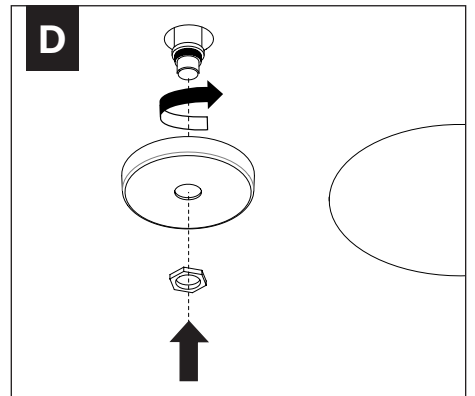
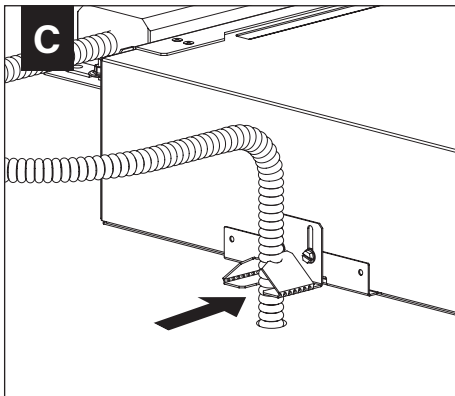
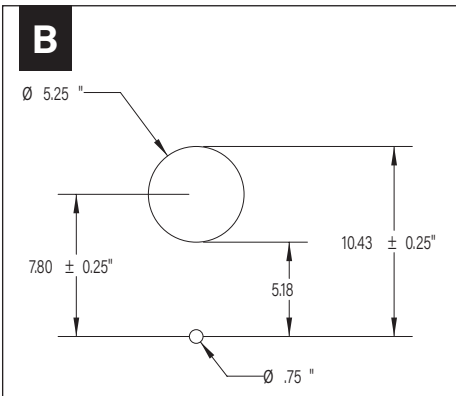
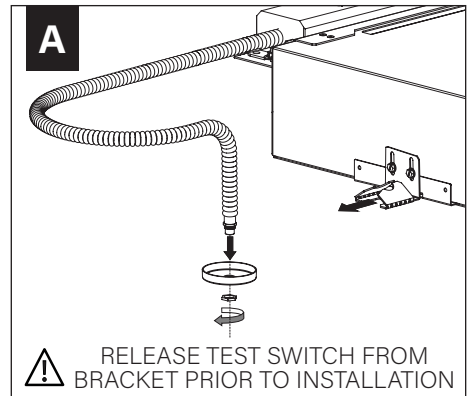
EMERGENCY - REMOTE TEST SWITCH
▲ ABOVE CEILING ACCESS REQUIRED ▲



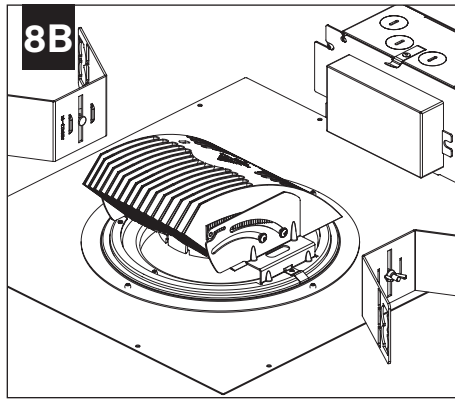
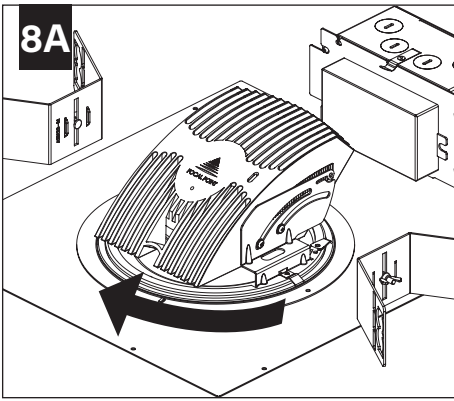
I

SEE
BATTERY MANUFACTURER
 INSTRUCTIONS

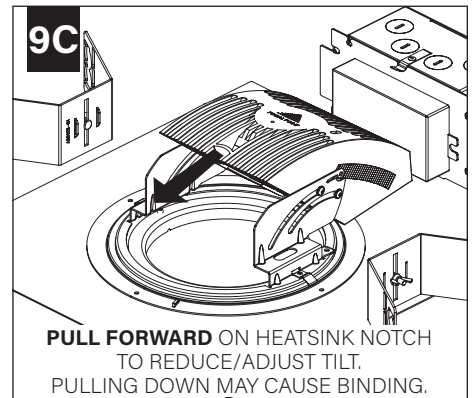
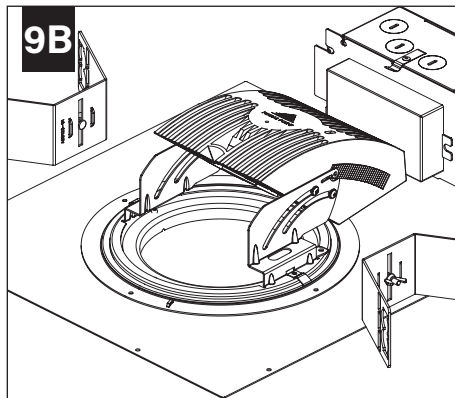
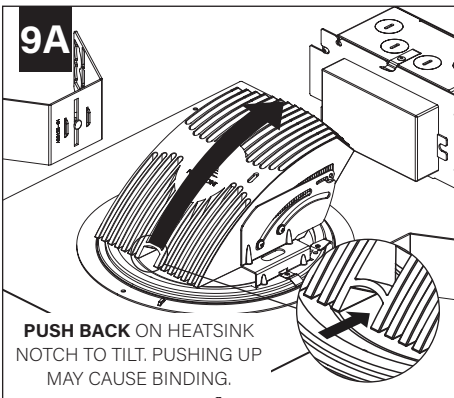
Emergency maximum
 mounting height: 19'



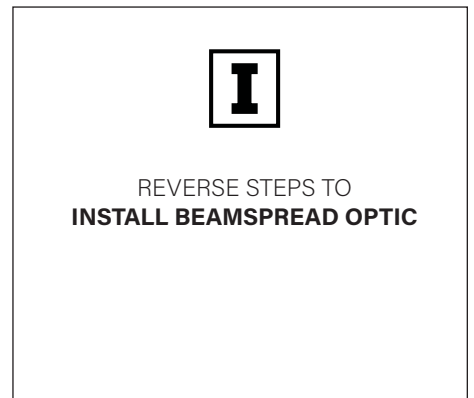
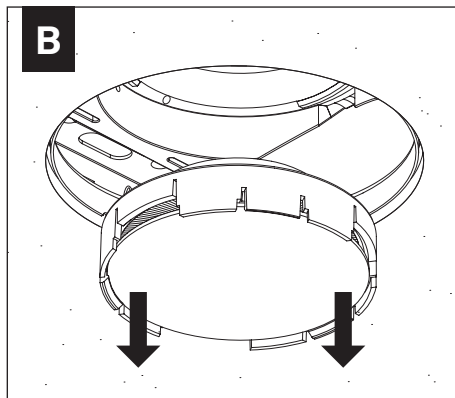
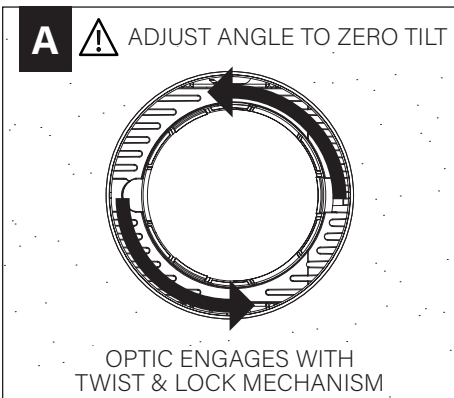
ROTATE (MAXIMUM ROTATION: 364°)



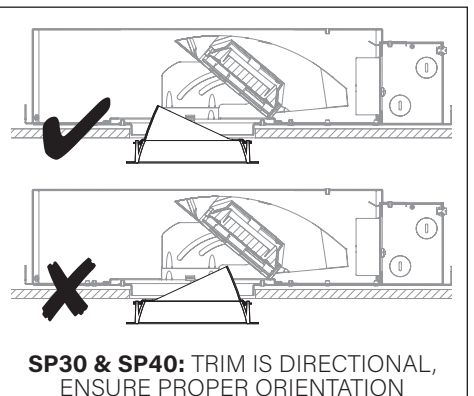
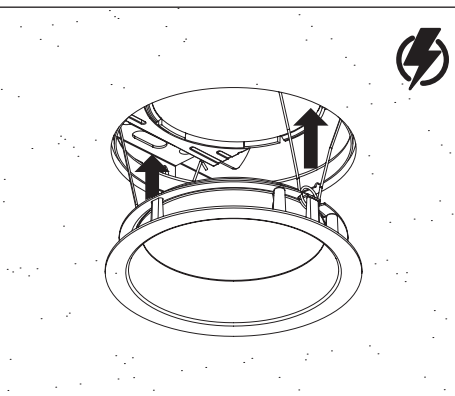
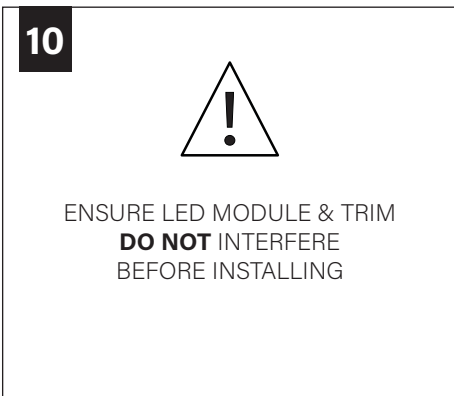
TILT (MAXIMUM TILT: 40°)



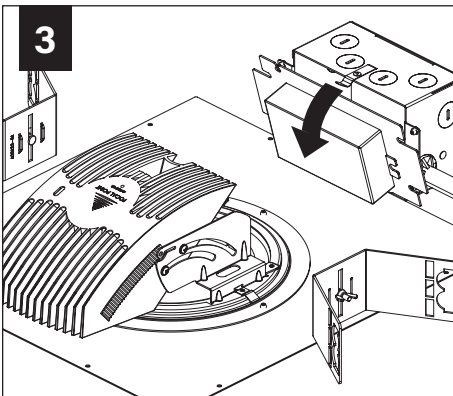
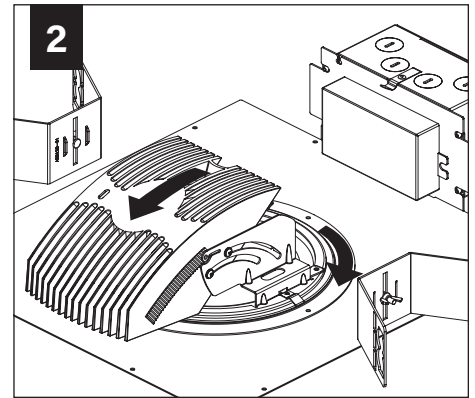
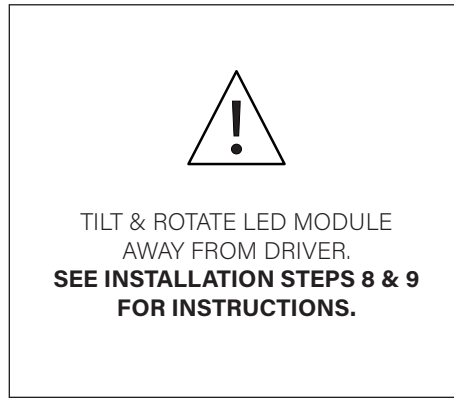
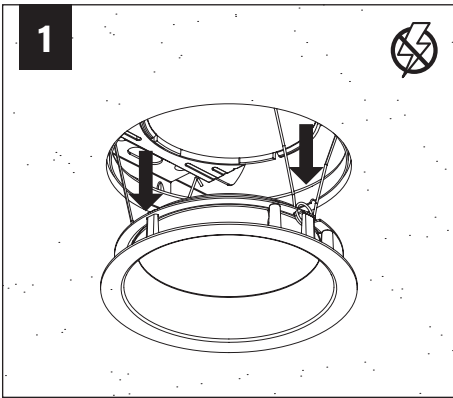
OPTIC SERVICE



TRIM INSTALLATION



DRIVER SERVICE



SPOT OPTIC TILT KIT (SOLD SEPARATELY)



SP30 & SP40 SHIP WITH SHROUDS INSTALLED.

SPOT OPTICS KITS ARE AVAILABLE AS REPLACEMENTS OR IF TILT ANGLE CHANGES FROM WHAT WAS SPECIFIED.

Distribution: Spot (SP)

Optic	Description	Tilt Range
SL*	Solite Lens	0° - 40°
SP00*	Spot Optic, No Lens	0° - 15°
SP30	Spot Optic, No Lens	15° - 30°
SP40	Spot Optic, No Lens	25° - 40°

*Shroud not required

